



ISO9001 ISO14001 IATF16949 CHILISIN ELECTRONICS CORP.

RoHS & Halogen Free & REACH Compliance.

## SPECIFICATION FOR APPROVAL

Customer : 各廠家

Customer P/N: \_\_\_\_\_

Drawing No : \_\_\_\_\_

Quantity : 0 Pcs. Date : 2019/08/08

Chilisin P/N : HFJ100505T-102Y-N

SPECIFICATION ACCEPTED BY:	
COMPONENT ENGINEER	
ELECTRICAL ENGINEER	
MECHANICAL ENGINEER	
APPROVED	
REJECTED	

**奇力新電子股份有限公司**  
Chilisin Electronics Corp  
No. 29, Alley 301, Tehhsin Rd.,  
Hukou, Hsinchu 303, Taiwan  
TEL : +886-3- 599-2646  
FAX : +886-3- 599-9176  
E-mail : sales@chilisin.com  
http : //www.chilisin.com

**東莞奇力新電子(東莞廠)有限公司**  
Chilisin Electronics (Dongguan) Co., Ltd.  
No. 78, Puxing Rd., Yuliangwei Administration Area,  
Qingxi Town, Dongguan City, Guangdong, China  
TEL : +86-769-8773-0251~3  
FAX : +86-769-8773-0232  
E-mail : cect@chilisin.com

**奇力新電子(越南廠)有限公司**  
Chilisin Electronics (Vietnam) Limited  
No 143 - 145, Road No 10, VSIP Hai Phong,  
Lap Le Commune, Thuy Nguyen Dist,  
Haiphong City, Vietnam  
Tel : 84-316 255 688 Fax : 84-316 255  
689  
E-mail : sales@chilisin.com

**奇力新電子(湖南廠)有限公司**  
HuNan Chilisin Electronics Technology Co., Ltd  
No. 8, Shaziao Liangshuijing Town, Yuanling  
County, Huaihua City, Hunan Province 419601,  
China  
Tel : 86-745-867-5882  
E-mail : cect@chilisin.com

Drawn by  
陳瑞揚 ryan.chen

Checked by  
吳振賢 lcn07

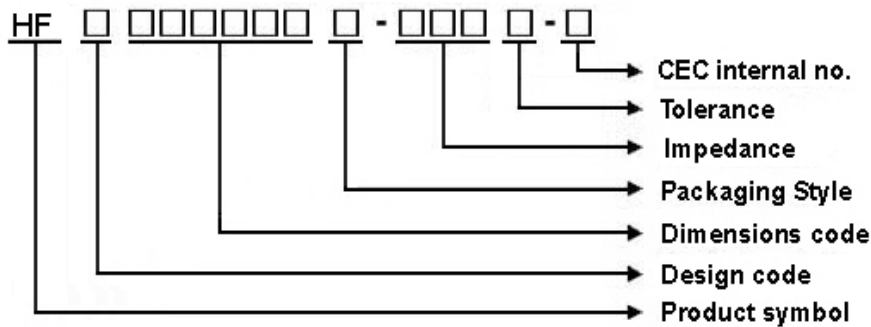
Approved by  
陳瑞揚 ryan.chen



# HFJ100505T Series Specification

**1 Scope:** This specification applies to MULTILAYER FERRITE CHIP BEADS

**2 Part Numbering:**



**3 Rating:**

Operating Temperature:  $-55^{\circ}\text{C} \sim 125^{\circ}\text{C}$  (Including self - temperature rise)

Storage Temperature:  $-55^{\circ}\text{C} \sim 125^{\circ}\text{C}$  (after PCB)

$-5^{\circ}\text{C} \sim 40^{\circ}\text{C}$ , Humidity 40%~70% (before PCB)

**4 Marking:**

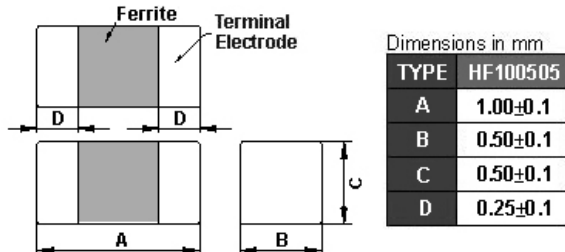
No Marking

**5 Standard Testing Condition**

	Unless otherwise specified	In case of doubt
Temperature	Ordinary Temperature(15 to 35°C)	20 to 30°C
Humidity	Ordinary Humidity(25 to 85% RH)	50 to 80 %RH

## HFJ100505T Series Specification

### 6 Configuration and Dimensions:



### 7 Electrical Characteristics:

Part No.	Impedance ( $\Omega$ )±25%	Impedance ( $\Omega$ )±40%	Test Freq. (MHZ)	RDC ( $\Omega$ )Max.	Rated Current (mA)Max.
HFJ100505T-601Y-N	600	1400	100/1000	0.85	300
HFJ100505T-102Y-N	1000	2000	100/1000	1.25	250
HFJ100505T-152Y-N	1500	2400	100/1000	1.8	230
HFJ100505T-182Y-N	1800	2700	100/1000	2.2	200

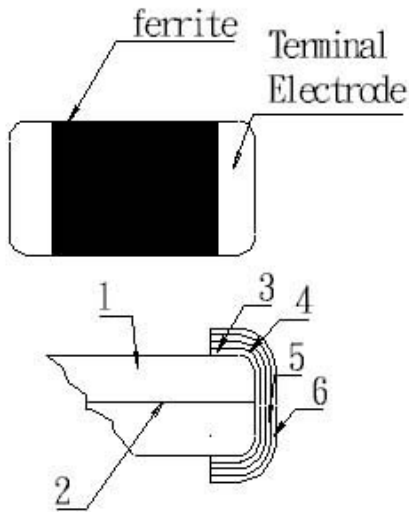
**NOTE: tolerance Y=±25%**

1. Operating temperature range - 5 5 °C ~ 1 2 5 °C (Including self - temperature rise)
  2. Rate Current : Applied the current to coils, the temperature rise shall not be more than 30°C
  3. Impedance Test OSC @200mV
- "-N" FOR COMPLETELY LEAD FREE TYPE (INCLUDING FERRITE BODY & SOLDER)

# HFJ100505T Series Specification

## 8 HFJ100505T Series

### 8.1 Construction:



### 8.2 Material List:

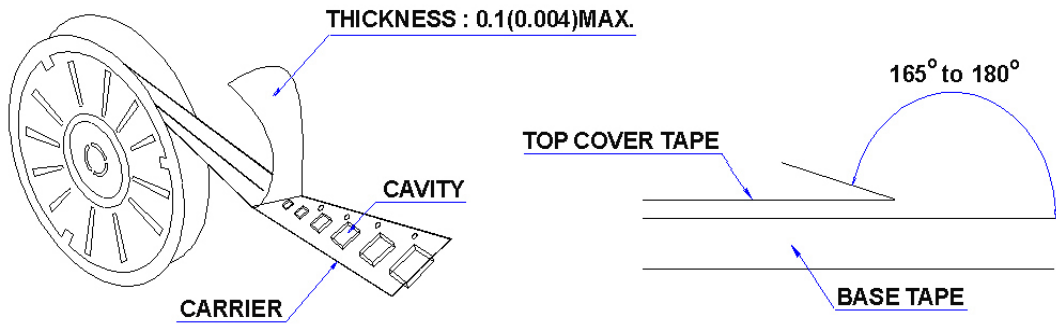
No	Part	Material
1	Ferrite Substance	NiO-CuO-ZnO-Ferrite
2	Silver electrode	Ag
3	Silver electrode	Ag
4	Cu plating	Cu
5	Ni plating	Ni
6	Sn plating	Sn

# HFJ100505T Series Specification

## 9 Packaging:

### 9.1 Packaging -Cover Tape

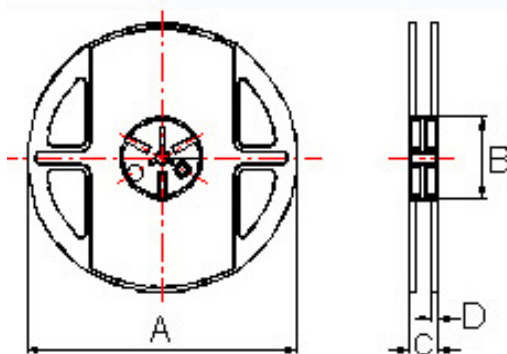
The force for tearing off cover tape is 10 to 100 grams in the arrow direction.



### 9.2 Packaging Quantity

TYPE	PCS/REEL
HF100505	10000

### 9.3 Reel Dimensions



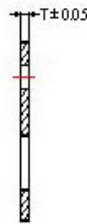
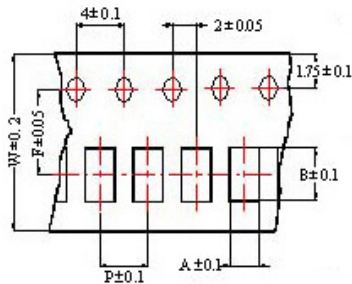
Dimensions in mm

TYPE	A	B	C	D
HF100505	178	60	12	1.5

# HFJ100505T Series Specification

## 9 Packaging:

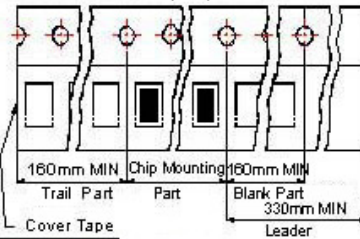
### 9.4 Tape Dimensions in mm



#### Tape Material

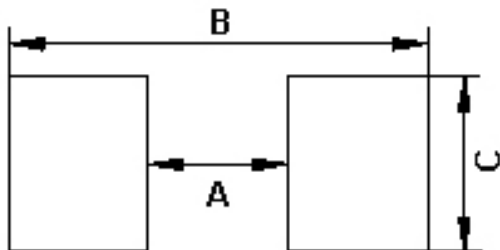
Carrier tape : Paper

Cover tape : Polyethylene



TYPE	A	B	T	W	P	F
HF100505	0.62	1.12	0.60	8	2	3.5

## 10 Recommended Land Pattern:



Dimensions in mm

TYPE	A	B	C
HF100505	0.4	1.2~1.4	0.5

## 11 Note:

1. Please make sure that your product has been evaluated and confirmed against your specifications when our product is mounted to your product.
2. Do not knock nor drop.
3. All the items and parameters in this product specification have been prescribed on the premise that our product is used for the purpose, under the condition and in the environment agreed upon between you and us. You are requested not to use our product deviating from such agreement.
4. Please keep the distance between transformer/coil and other components (refer to the standard IEC 950)
5. The moisture sensitivity level (MSL) of products is classified as level 1.

# HFJ100505T Series Specification

12 Graph: HFJ100505T-102Y-N

