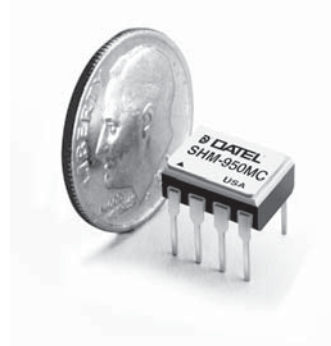


ADVANCED PRODUCT DATA

FEATURES

- 18 bit accuracy
- Small 8-pin DIP package
- 1.5 μ s max. acquisition time to $\pm 0.001\%$
- 90ns max. sample-to-hold settling time to $\pm 0.001\%$
- 70 V/ μ s slew rate
- 84dB feedthrough attenuation
- ± 25 picoseconds aperture uncertainty
- 280mW maximum power dissipation



GENERAL DESCRIPTION

DATEL's SHM-950 is a high-speed, highly accurate sample/hold designed for precision, high-speed analog signal processing applications. The SHM-950 features excellent dynamic specifications including a maximum acquisition time of only 1.5 microseconds for a 10V step to $\pm 0.001\%$.

Sample-to-hold settling time, to $\pm 0.001\%$ accuracy, is 90 nanoseconds maximum with an aperture uncertainty of ± 25 picoseconds.

The SHM-950 is a complete sample/hold circuit, containing a precision MOS hold capacitor and a MOSFET switching configuration which results in faster switching and better feedthrough attenuation. Additionally, a FET input amplifier design allows faster acquisition and settling times while maintaining a considerably lower droop rate.

INPUT/OUTPUT CONNECTIONS	
Pin	Function
1	+5v Digital Supply
2	S/H Control
3	Analog Input
4	Analog Return
5	-15v Supply
6	Analog Output
7	+15v Analog Supply
8	Power Ground

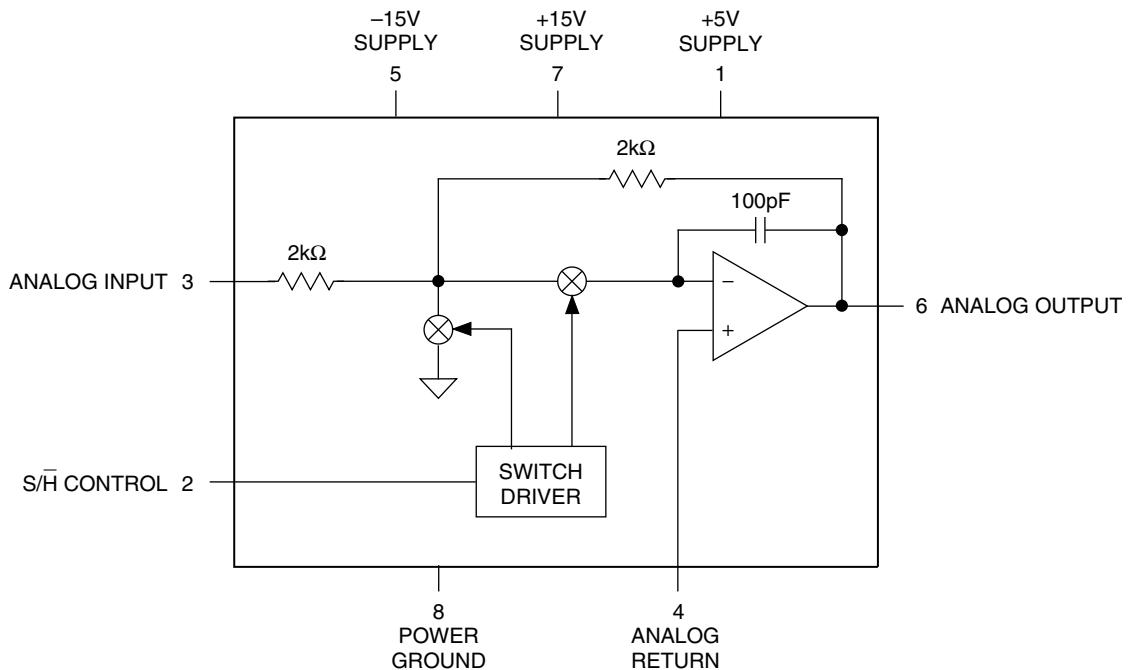


Figure 1. Functional Block Diagram

Absolute Maximum Ratings

$\pm 15V$ Supply Voltages	$\pm 18V$
+5V Supply Voltages	-0.5V to +7V
Analog Input	$\pm 18V$
Digital Input	-0.5V to +5.5V
Output Current	± 55 mA

Functional Specifications

(Apply over the operating temperature range with $\pm 15V$ and +5V supplies unless otherwise specified.)

ANALOG INPUT/OUTPUT	MIN.	TYP.	MAX.	UNITS
Input/Output Voltage Range				
$\pm 15V$ Nominal Supply	± 10	± 11.5	—	Volts
$\pm 12V$ Nominal Supply	± 7	± 8.5	—	Volts
Input Impedance	1.75	2	—	k Ω
Output Current	—	—	± 40	mA
Output Impedance	—	0.1	—	Ω
Capacitive Load	100	250	—	pF
DIGITAL INPUT				
Input Logic Levels				
Logic 1	+2.0	—	—	Volts
Logic 0	—	—	+0.8	Volts
Loading				
Logic 1	—	—	+5	μA
Logic 0	—	—	-5	μA
TRANSFER CHARACTERISTICS				
Gain	—	-1	—	V/V
Gain Error, +25°C	—	± 0.05	± 0.5	%
Gain Error, -55 to +85°C	—	± 0.05	± 0.6	%
Sample Mode Offset, +25°C	—	± 2	± 7	mV
Sample Mode Offset, -55 to +85°C	—	± 5	± 10	mV
Sample-to-Hold Offset, +25°C ②	—	± 5	± 20	mV
Sample-to-Hold Offset, -55 to +85°C	—	± 10	± 50	mV
Linearity Error ①	—	± 0.001	± 0.005	%FS
DYNAMIC CHARACTERISTICS				
Acquisition Time				
10V to $\pm 0.001\%$ FS (± 0.1 mV)				
+25°C	—	1000	1500	ns
-55 to +85°C	—	—	1600	ns
10V to $\pm 0.01\%$ FS (± 1 mV)				
+25°C	—	700	1200	ns
-55 to +85°C	—	—	1400	ns
1V to $\pm 1\%$ FS (± 10 mV)	—	350	500	ns
Sample-to-Hold Settling Time				
$\pm 0.001\%$ FS (± 0.1 mV)	—	60	90	ns
$\pm 0.1\%$ FS (± 10 mV)	—	30	50	ns
Sample-to-Hold Transient	—	50	—	mVp-p
Aperture Delay Time	—	15	20	ns
Aperture Uncertainty (Jitter)	—	± 25	± 50	ps
Output Slew Rate	± 40	70	—	V/ μs
Output Droop				
+25°C	—	± 0.5	± 15	$\mu V/\mu s$
0 to +70°C	—	± 15	± 80	$\mu V/\mu s$
-55 to +85°C	—	± 1.2	± 2.4	mV/ μs
Feedthrough Rejection	—	-84	-74	dB

POWER REQUIREMENTS	MIN.	TYP.	MAX.	UNITS
Voltage Range				
+15V Supply	+11.5	+15.0	+15.5	Volts
-15V Supply	-11.5	-15.0	-15.5	Volts
+5V Supply	+4.75	+5.0	+5.25	Volts
Power Supply Rejection Ratio				
	—	110	100	dB
Quiescent Current Drain				
+15V Analog Supply	—	+7	+9	mA
-15V Supply	—	-7	-9	mA
+5V Supply	—	+1	+1.5	mA
Power Consumption	—	215	280	mW
PHYSICAL/ENVIRONMENTAL				
Operating Temp. Range, Case				
SHM-950MC	0 to +70°C			
SHM-950ME	-40 to +100°C			
Storage Temperature Range				
	-65 to +150°C			
Thermal Impedance				
θ_{jc}	15°C/W			
θ_{ca}	35°C/W			
Package Type	8-pin ceramic DIP			

Footnotes:

- ① Full Scale (FS) = 10V. Full Scale Range (FSR) = 20V.
- ② Sample-to-hold offset error (pedestal) is constant regardless of input/output level.

ORDERING INFORMATION			
Model Number	Operating Temperature Range	Package	RoHS
SHM-950MC	0 to +70°C	DIP	No
SHM-950ME	-40 to +100°C	DIP	No
SHM-950GC	0 to +70°C	SMT	No
SHM-950GE	-40 to +100°C	SMT	No
SHM-950MC-C	0 to +70°C	DIP	Yes
SHM-950ME-C	-40 to +100°C	DIP	Yes
SHM-950GC-C	0 to +70°C	SMT	Yes
SHM-950GE-C	-40 to +100°C	SMT	Yes

For availability of high-reliability versions of the SHM-950, contact DATEL.

Technical Notes

1. All ground pins should be tied together and connected to system analog ground as close to the package as possible. It is recommended to use a ground plane under the device and solder ground pins directly to it. Take care to ensure that no ground potentials can exist between ground pins.
2. External 0.1 μF to 4.7 μF tantalum bypass capacitors are required in critical applications.
3. A logic 1 on S/H puts the unit in the sample mode. A logic 0 puts the unit in hold mode.
4. The maximum capacitive load to avoid oscillation is typically 250pF. Recommended resistive load is 500 Ω , although values as low as 250 Ω may be used. Acquisition and sample-to-hold settling times are relatively unaffected by resistive loads down to 250 Ω and capacitive loads up to 50pF. Greater load capacitances will affect both acquisition and settling time.
5. Gain and offset adjusting can be accomplished using the external circuitry shown in Figure 2. Adjust offset with a 0V input. Adjust gain with a $\pm FS$ input. Adjust so that the output in the hold mode matches the input.

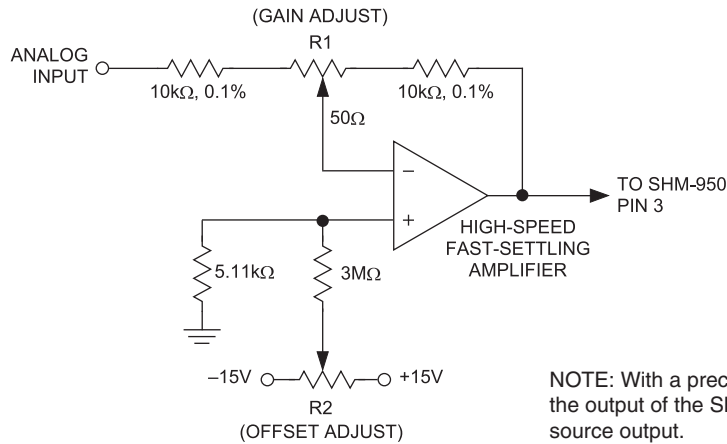
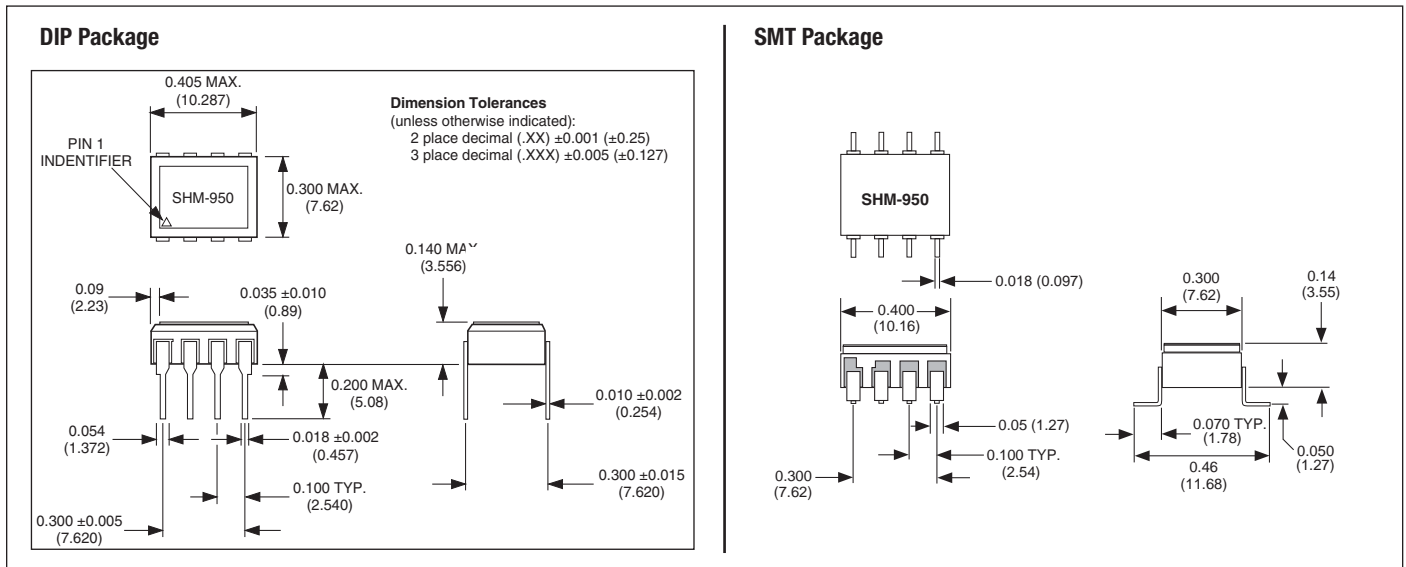


Figure 2. Offset and Gain Adjustments

MECHANICAL DIMENSIONS Inches (mm)



ISO 9001
REGISTERED

DATEL is a registered trademark of
Murata Power Solutions, Inc.
11 Cabot Boulevard, Mansfield, MA 02048-1151 USA
ITAR and ISO 9001/14001 REGISTERED

Murata Power Solutions, Inc. makes no representation that the use of its products in the circuits described herein, or the use of other technical information contained herein, will not infringe upon existing or future patent rights. The descriptions contained herein do not imply the granting of licenses to make, use, or sell equipment constructed in accordance therewith. Specifications are subject to change without notice.

© 2012 Murata Power Solutions, Inc.

www.datel.com • e-mail: help@datel.com