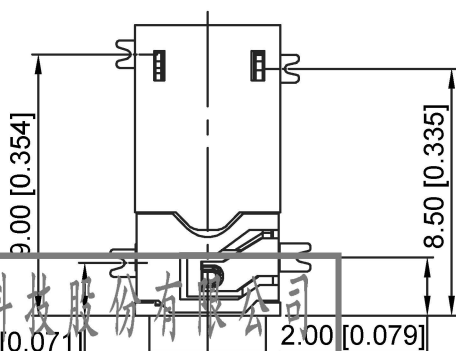
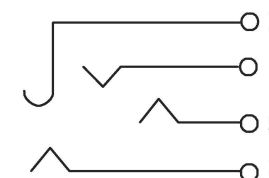
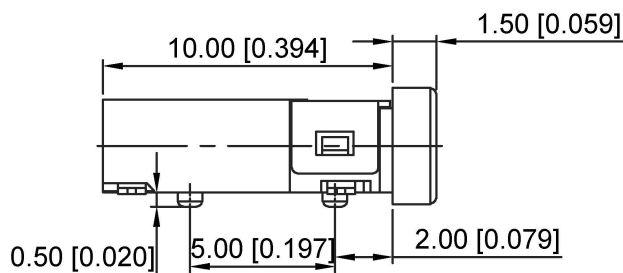
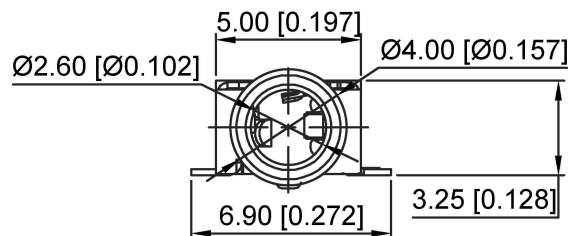


Ø2.5 MATING PLUG



	MATERIAL	PLATING
terminal 2	Phosphor Bronze	tin
terminal 3	Phosphor Bronze	tin
terminal 4	Phosphor Bronze	tin
terminal 5	Phosphor Bronze	tin
plastic	High Temp. Thermoplastic	

广东星坤科技股份有限公司

生	日期
救	
文件	工程
章	章

DATE	REVISED	APPROVED	DESCRIPTION

DSND		DATE		SCALE: N/A	MODEL TYPE:
DWN		DATE		VIEW:	2.5 PHONE JACK
CHKD		DATE		UNIT: mm/in	PART NO.:
APPD		DATE		SIZE: A4	DWG NO.: PJ-2342-SMT

KKB INDUSTRIAL PRECISION CO., LIMITED

WEIGHT	SHEET	REVISION
1.0g	1/1	A0