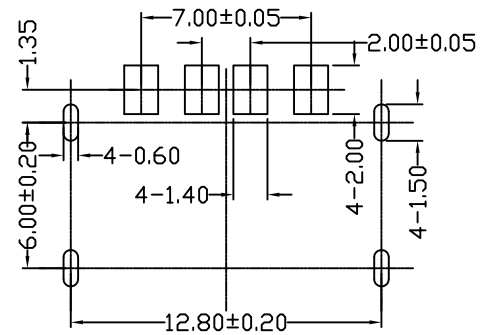
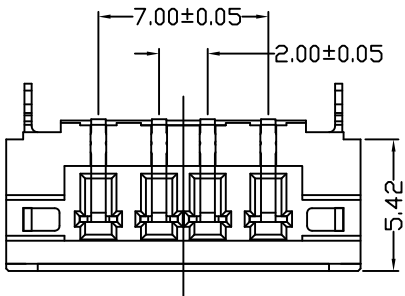
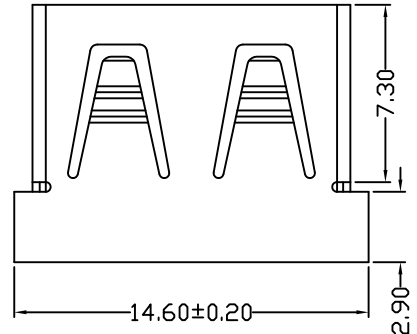
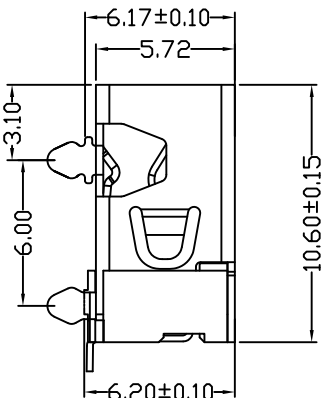
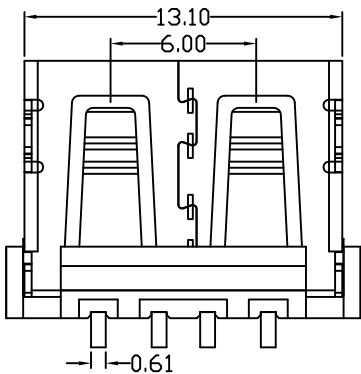
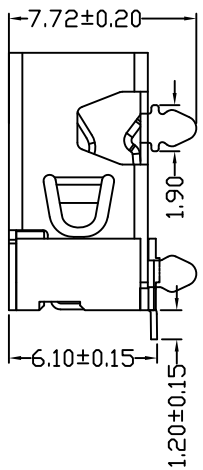
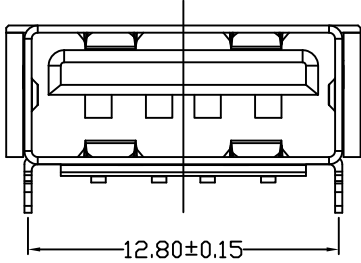


MAPX	MODIFICATION	DATE



Specification:

1. Electrical Characteristics:

Dielectric Withstanding Voltage: AC 500V/1MINUTE.
 Insulation Resistance: 1000 MΩ/Min.
 Contact Resistance: 30 mΩ Max.

2. Mechanical Characteristics:

INSERTION FORCE: 30N(3.06KgF) MAX
 EXTRACTION FORCE: 10~30N(1.02~3.06KgF)
 Durability: 1500cycles. EXTRACTION FORCE: 10~30N(1.02~3.06KgF)

3. Material:

Terminal: Phosphor Bronze, C5191/C2680R-EH T=0.25
 Plating: Gold 0.76 um Min plating over 1.27 um Min Nickel underplate, 2.54 um Min Sn selective plating on solder tail;
 Shell: Bronze, C2680R-H =0.30mm
 Plating: Nickel underplate 2.54 um Min;
 Housing: LCP Black

4. Environmental:

Operating Temperature: 0°C to +85°C.

产品图 PRODUCT CHART DWG		深圳市精拓金电子有限公司							
公差一览表 TOLERANCE UNLESS OTHERWISE		单位 UNITS	MM	制图 DRAWING	Z-Y-B	制图料号 PRODUCT PART NO	914-492A2022S10200		
X.	±0.25	X.	±5°	比例 SCALE	1:1	审核 CHKD	产品名称 PRODUCT NAME	AF10. 6苹果款四脚大小弹铜壳LCP黑胶SMT	
.X	±0.20	.X	±2°	日期 DATE	2011.09.02	核准 APPD	角法 VIEW	版本 VER	AD
.XX	±0.15	.XX	±1°						
.XXX	±0.05	.XXX	±0.5°						