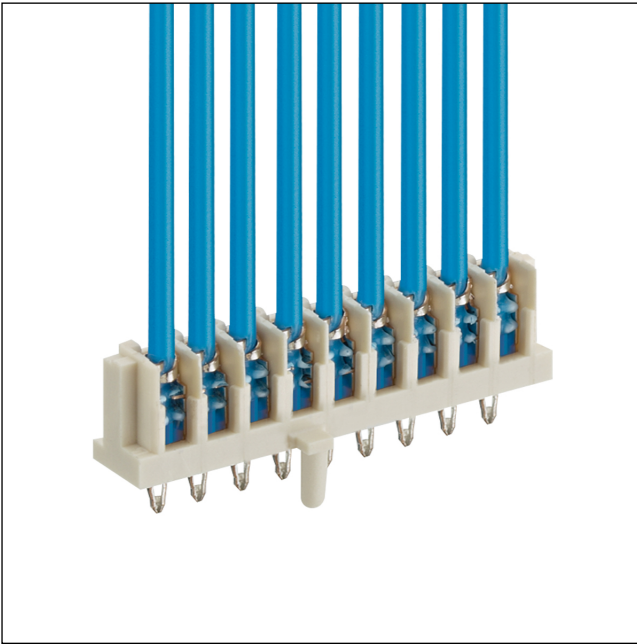


38


3810

Multimodul™ connectors, pitch 2.5 mm



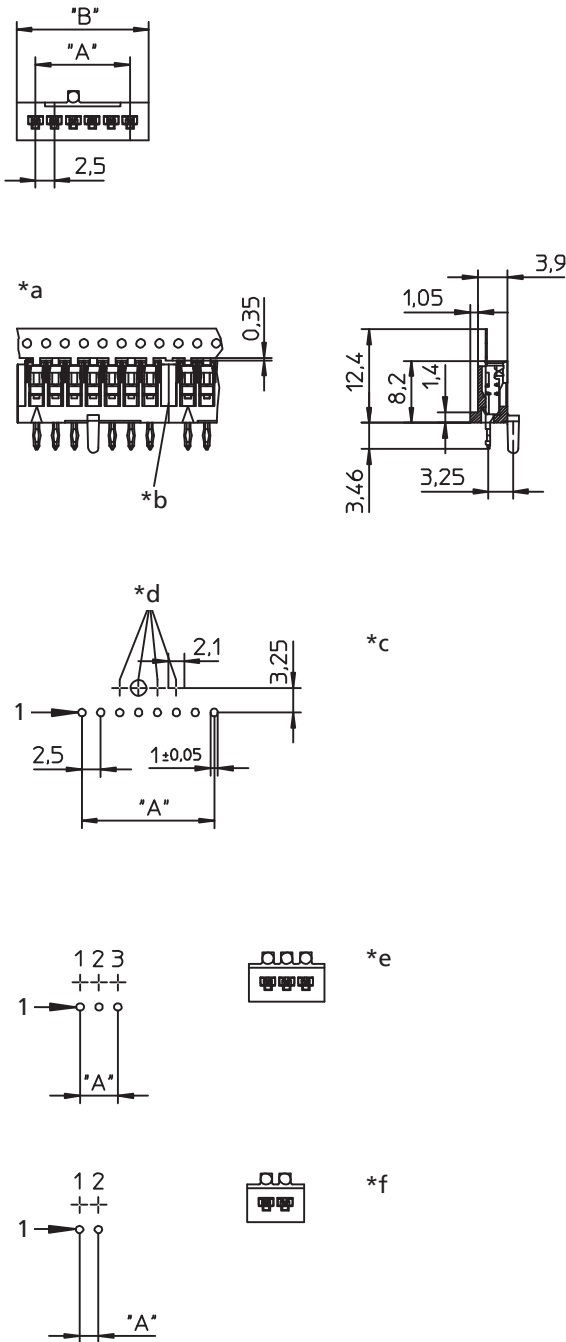
Multimodul™ solder-in connector, insulation displacement technology (IDT), with insulator crimp as strain relief and positioning peg

State: Active

Approvals: 

38

3810



- *a delivery on holding strap
- *b no contact spring between connectors
- *c printed circuit board layout, solder side view
- *d possible keying positions, from 4 poles on
- *e 3 poles
- *f 2 poles

Environmental conditions

Temperature range -40 °C/+120 °C

Materials

Insulating body PA GF, V-0 according to UL94¹
Contact CuSn, tin-plated

¹ component glow wire resistant (GWT 750 °C), testing acc. to IEC 60695-2-11, assessment acc. to IEC 60335-1 (flame < 2 s)

Mechanical data

Further data proposed keyings on request

Connectable conductors for IDT area

Construction discrete conductor, notched flat cable 2.5 mm
Section min. 0,196 mm²
Section max. 0,22 mm²
Insulation diameter 1,5 mm
Approved cables at www.lumberg.com

Electrical data (at T_{amb} 20 °C)

Rated current 3 A
Rated voltage 63 V AC
Material group IIIa (CTI ≥ 250)
Creepage distance ≥ 2,0 mm
Clearance ≥ 2,0 mm
Insulation resistance > 1 GΩ

Associated products

Counterparts

38

3810

Harnessing equipment

☞ KHP38

Designation	Pole Number	PU (Pieces)	MDQ (Pieces)	Dimensions	
				A (mm)	B (mm)
3810 02	2	7500	15000	2.5	7.5
3810 03	3	6000	12000	5.0	10.0
3810 04	4	4500	9000	7.5	12.5
3810 05	5	3750	7500	10.0	15.0
3810 06	6	3000	6000	12.5	17.5
3810 07	7	3000	6000	15.0	20.0
3810 08	8	2250	6750	17.5	22.5
3810 09	9	2250	6750	20.0	25.0
3810 10	10	2250	6750	22.5	27.5
3810 11	11	1500	6000	25.0	30.0
3810 12	12	1500	6000	27.5	32.5
3810 13	13	1500	6000	30.0	35.0
3810 14	14	1500	6000	32.5	37.5
3810 15	15	1500	6000	35.0	40.0
3810 16	16	750	5250	37.5	42.5
3810 17	17	750	5250	40.0	45.0
3810 18	18	750	5250	42.5	47.5
3810 19	19	750	5250	45.0	50.0
3810 20	20	750	5250	47.5	52.5

Designation to be completed by further details (e.g. for keying, color or material options).

Packaging:

on a holding strap, in a foil bag strap, in a cardboard box