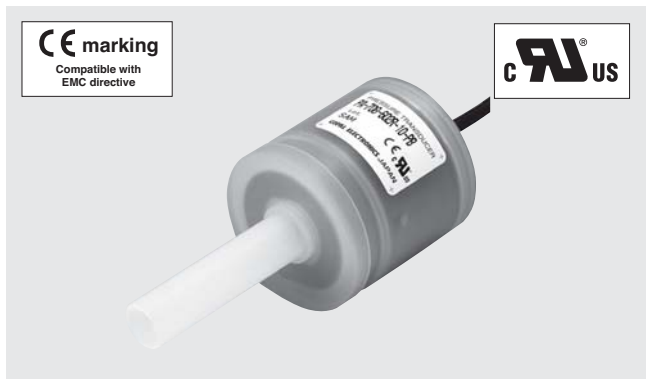


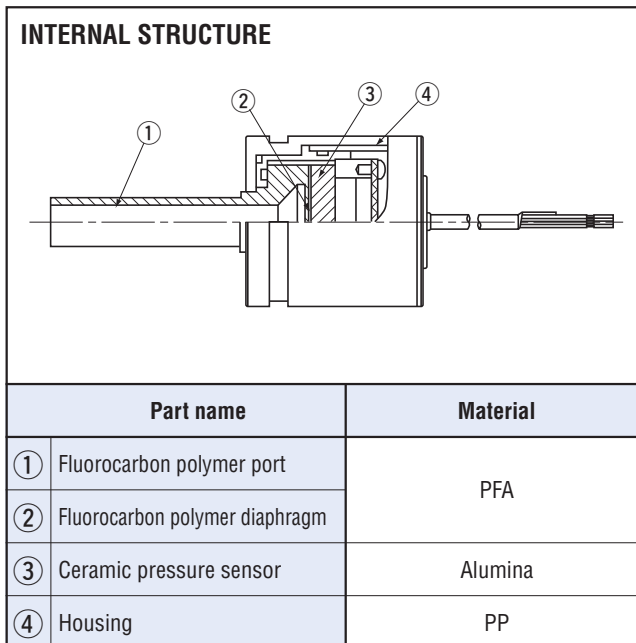
PRESSURE TRANSDUCERS WITH AMP.

PA-708

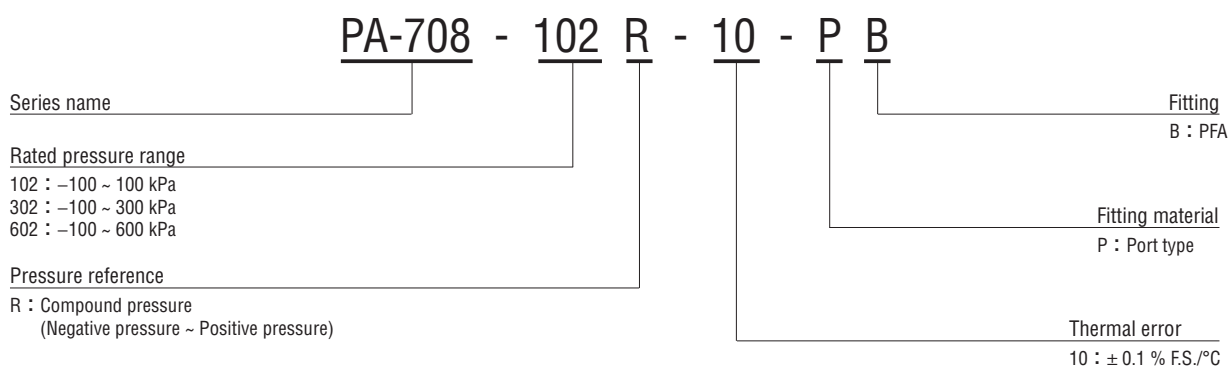


FEATURES

- Applicable for ultra high purity and aggressive fluids
- Compound pressure measures both positive and negative pressure
- PFA pressure port



MODEL NUMBER DESIGNATION



LIST OF MODEL NUMBERS

Thermal error	Pressure reference		Gauge
	kPa Rated pressure range	Fitting material	PFA
± 0.1 % F.S./°C	-100 ~ 100		PA-708-102R-10-PB
	-100 ~ 300		PA-708-302R-10-PB
	-100 ~ 600		PA-708-602R-10-PB

※ Verify the above model numbers when placing orders.

PA-708

PRESSURE TRANSDUCERS WITH AMP.

STANDARD SPECIFICATIONS

● Unless otherwise specified, the specs are defined at an ambient temperature of 25 ± 5 °C, excitation voltage of 24 V DC and load resistance of 250 Ω.

Item		Model number	PA-708		
			102R	302R	602R
General specifications	Pressure reference		Gauge (Compound)		
	Rated pressure range	kPa	-100 ~ 100	-100 ~ 300	-100 ~ 600
	Maximum pressure	kPa	200	600	1200
	Break-down pressure	kPa	400	1200	1800
	Operating temp. range	°C	-20 ~ 80		
	Medium teml. range	°C	10 ~ 80		
	Amdient temp. range	°C	10 ~ 50		
	Operating humidity	%RH	35 ~ 85 (No condensation)		
	Storage temp.	°C	-20 ~ 80 (Atmospheric pressure, humidity 65 %RH maximum)		
	Pressure medium		Corrosive gases/liquids compatible with Fluorocarbon polymer		
	Insulation resistance	MΩ minimum	100 (500 V DC)		
	Dielectric strength		500 V AC, 60 s (Leakage current 1 mA maximum)		
	Pressure port		1/2" × 3/8"		
	Net weight	g	Approx. 160		
Power	Supply voltage	V DC	24 ± 10 %		
	Ripple content	maximum	10 % (P-P)		
Analog output	Output current	mA	4 ~ 20		
	Zero current	mA	4 ± 0.2 (at 25 °C)		
	Span current	mA	16 ± 0.2 (at 25 °C)		
	Load resistance	Ω	0 ~ 500		
	Linearity/Hysteresis	%F.S.	± 1.0		± 1.5
	Thermal error 0 ~ 50 °C (Reference temp.: 25 °C)	ZERO %F.S./°C	± 0.1		
		SPAN %F.S./°C	± 0.1		
Response	ms	Approx. 2			

ENVIRONMENTAL CHARACTERISTICS

Test item	Test conditions (At 25 ± 5 °C)	Permissible change
Vibration	10 ~ 55 Hz, 1.5 mm maximum/98.1 m/s ² , 3 directions for 2 hours each	Zero current, Span current: ± 2 %F.S. maximum each
Shock	490 m/s ² , 3 directions for 3 times each	
Pressure cycling	0 ~ Rated pressure, 10 ⁶ cycles	
Moisture resistance	40 °C, 90 ~ 95 %RH, 240 hrs.	
EMC	EMI : EN55011: 2007, A2 : 2007 Group 1, class B EMS : EN61326-1 : 2006/EN61326-2-3 : 2006 Table 2	Analog output : ± 5 %F.S. maximum during test : ± 5 %F.S.

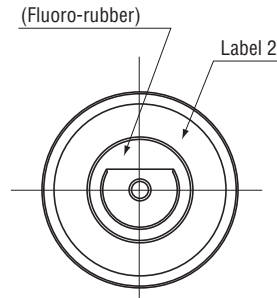
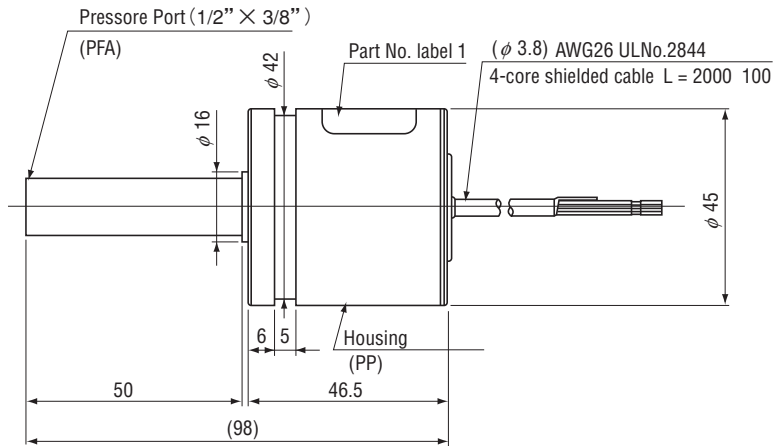
PA-708

PRESSURE TRANSDUCERS WITH AMP.

OUTLINE DIMENSIONS

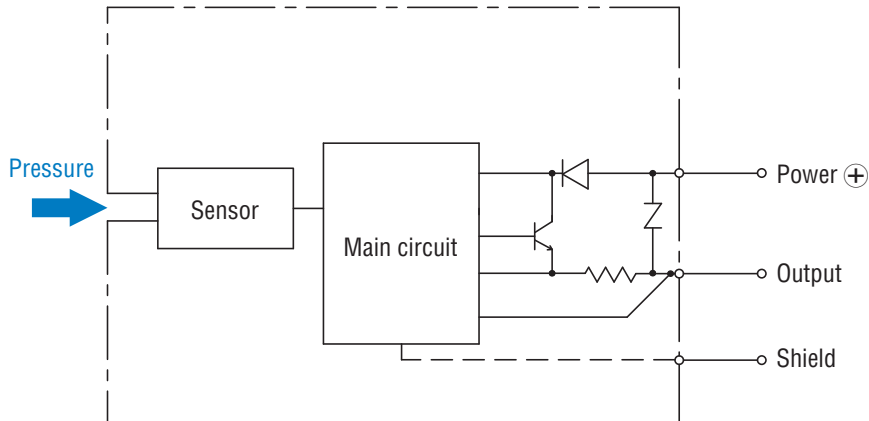
PA-708

Unless otherwise specified, tolerance : ± 0.5 (Unit: mm)



Wire color	Connection
Red	Power \oplus
White	Output
Shield	—
Green	N.C.
Black	N.C.

INTERNAL ELECTRICAL SCHEMATICS



RECOMMENDED EXTERNAL SCHEMATICS

