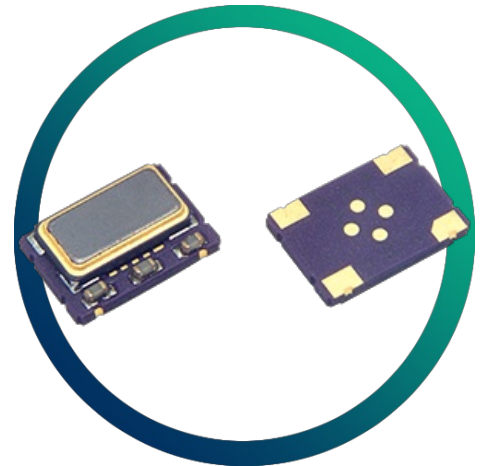


# GTXO-71V

## 2.7V ~ 5.5V SM TCXO with Frequency Adjustment and Clipped Sine Output



- Supply voltage from 2.7V ~ 5.5V
- Low power consumption
- 1.9mm maximum height
- Excellent frequency stability

### CONFIGURABLE OPTIONS

Parameter	Option Code
Frequency	
Frequency stability	
Any	
±3.0ppm max	K
±2.5ppm max	J
±2.0ppm max	H
±1.5ppm max	G
±1.0ppm max	F
Temperature range	
Any	
0 to +50°C	R
-10 to +60°C	C
-20 to +70°C	N
-30 to +75°C	S

## SPECIFICATIONS

Frequency range	10.0 ~ 26.0MHz
Dimensions	7.0 x 5.0 x 1.9mm
Storage temperature range	-40 to +85°C
Frequency vs supply voltage	±0.3ppm, $V_{DD} \pm 5\%$
Ageing	±1.0ppm max first year
Supply voltage ( $V_{DD}$ )	+2.7V ~ +5.5V
* see note 1 below	
Supply current	2.0mA max
Output waveform	Clipped sine, 0.8V p-p
* see note 2 below	
Test load ( $Z_L$ )	10kΩ // 10pF
Start up time	3ms max
Frequency adjustment	±8ppm min, +1.5V ±1.0V
Phase noise	-50dBc/Hz typ @ 1Hz -80dBc/Hz typ @ 10Hz -125dBc/Hz typ @ 1kHz -140dBc/Hz typ @ 100kHz
Stability 24hrs after reflow	±1.0ppm max
Preset frequency	±0.5ppm / +25°C ±2°C

**\*1 Will operate within specification on any supply voltage from +2.7V to +5.5V** **\*2 The output is not DC-free. A coupling capacitor (10nF) may be required.**

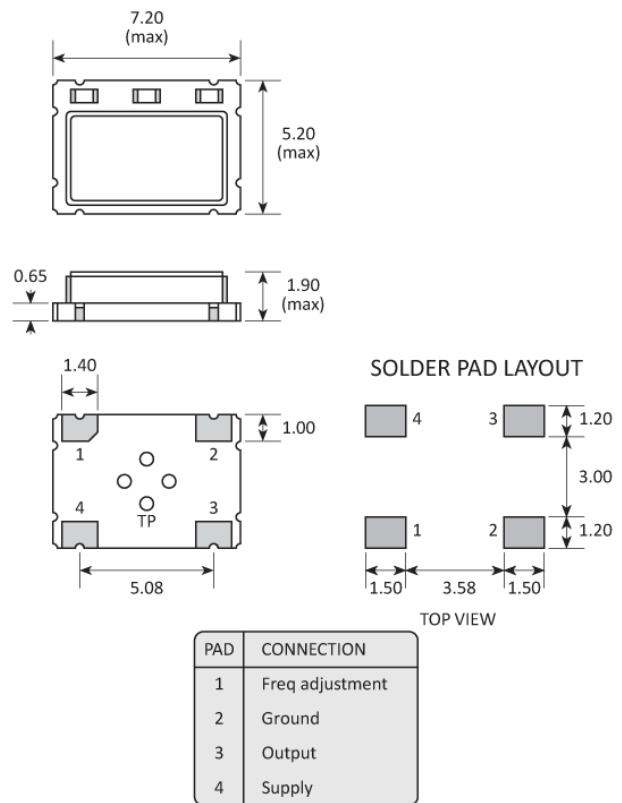
## ORDERING INFORMATION

To request a quotation for the GTXO-71V please use the configurable options form to choose the options you require and then submit your configured product to our team. Our expert advisers are always happy to help with your requirements and can be contacted on +44 1460 256 100 or at [sales@golledge.com](mailto:sales@golledge.com).

Following product selection you will be issued with a seven character Golledge part number. Your Golledge part number is the internationally accepted Golledge manufacturing part number (MPN) that should be used for all project documentation, including bills of materials (BoMs) and purchase orders.

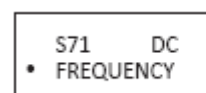
If you have any queries regarding any of our documentation our dedicated sales team will be happy to help.

## PACKAGE DRAWING



Dimensions in mm

## MARKING

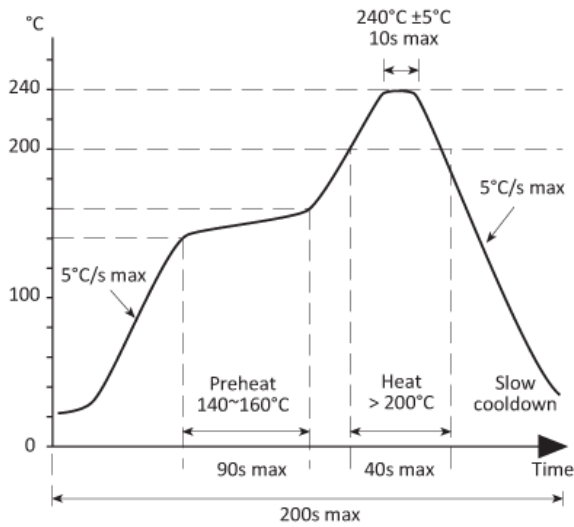


• Pin 1  
Marking type: Laser

DC = Date Code in YM, eg. "GF" = Jun 2017

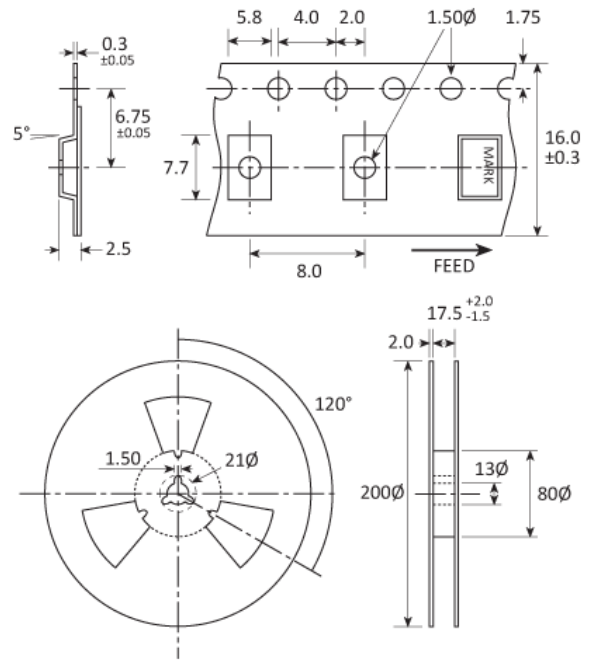
	A	B	C	D	E	F	G	H	J	K	L	M
Y	1	2	3	4	5	6	7	8	9	0		
M	Jan	Feb	Mar	Apr	May	Jun	Jul	Aug	Sep	Oct	Nov	Dec

**SOLDERING PROFILE**



NOTE: This product is not designed to withstand 260°C processing

**TAPE & REEL SPECIFICATION**



Dimensions in mm

**HANDLING & STORAGE**



Human Body Model (HBM) 1A (250V to <500V)



Moisture Sensitivity Level (MSL): 1 (or not applicable)

**CONSTRUCTION**

Ceramic body with gold-plated pads Metal lid, seam sealed

## MATERIAL COMPOSITION

---



RoHS 2 compliant with 7(a) exemption. [See our](#)

[declaration](#)



REACH compliant. [See our statement](#)



Free of conflict minerals. [See our declaration](#)



Free of Halogens. [See our declaration](#)



Free of Ozone-depleting substances. [See our](#)

[declaration](#)

## OTHER INFORMATION

### About Golledge

We are the UK's leading supplier of frequency control products and are proud to serve the global electronics industry. Our philosophy is a focus firmly on your requirements by striving to meet and exceed your needs. We do this by ensuring the utmost quality and consistency in our products and services. If you have any queries about the Golledge service or any of our products please get in touch, we'd love to hear from you.

### Come and visit

Eaglewood Park, ILMINSTER,  
Somerset, TA19 9DQ, England

### Give us a call

Tel: +44 1460 256 100  
Fax: +44 1460 256 101

### Email us

sales@golledge.com

### Our Worldwide Distributors

#### Belgium & Luxembourg

Alcom Electronics NV/SA



**Email** info@alcom.be  
**Web** www.alcom.be  
**Tel** +32 (0)3 458.30.33

#### China, Hong Kong - 中国 / 香港

Meiya China



**Email** sales@meiyatech.com  
**Web** www.meiyatech.com  
**Tel** +86 755 2823 1923

#### France

Equipments Scientifique



**Email** comp@es-france.com  
**Web** www.es-france.com  
**Tel** +33 1 47 95 99 89

#### Germany

MEV Elektronik Service GmbH



**Email** info@mev-elektronik.com  
**Web** www.mev-elektronik.com  
**Tel** +49 54 24 23 40-0

#### India

V5 Semiconductors



**Email** sales@v5semiconductors.com  
**Web** v5semiconductors.com  
**Tel** +91-80-2661 0621

#### Israel

Phoenix Technologies Ltd



**Email** sales@phnx.co.il  
**Web** www.phnx.co.il  
**Tel** +972 9 764 4800

#### Netherlands

Alcom Electronics BV



**Email** info@alcom.nl  
**Web** alcom.nl  
**Tel** +31 (0)10 288.25.00

#### Norway

Link Nordic



**Email** bjorn.nyjordet@linknordic.com  
**Web** linknordic.com  
**Tel** +47 93 22 68 90

#### Russia - Россия

EFO Ltd



**Email** elena@efo.ru  
**Web** www.golledge.ru  
**Tel** +7(812)327-8654

#### Spain & Portugal

R.C. Microelectronica, S.A.



**Email** ventas@rcmicro.es  
**Web** www.rcmicro.es  
**Tel** +34 93 260 21 66

Our customer feedback is testament to our quality; "Never had such good service as this from anyone in 35 years of being in the industry, this is impressive and has really helped us out of a corner to keep the design flowing" Andy (Senior Design Engineer), "As always your support is state of the art" Nicoleta (Material Management), "Legendary work - as usual it has to be said" John (Operations).

To take advantage of our highly praised service get in touch with us today.