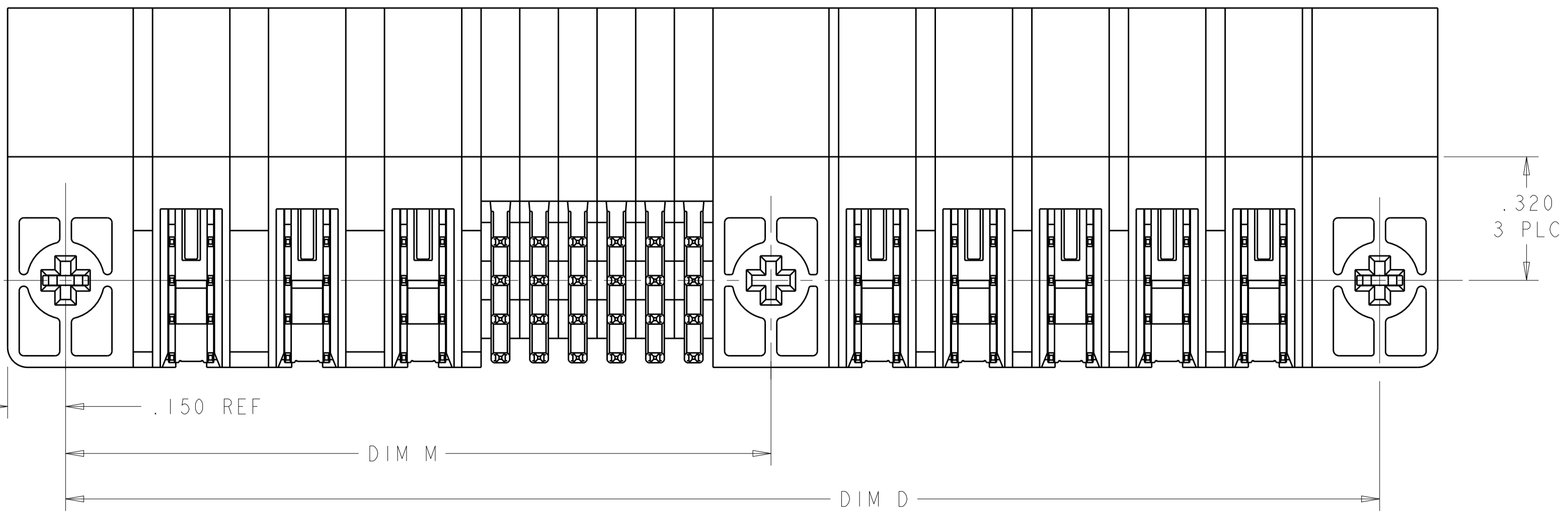
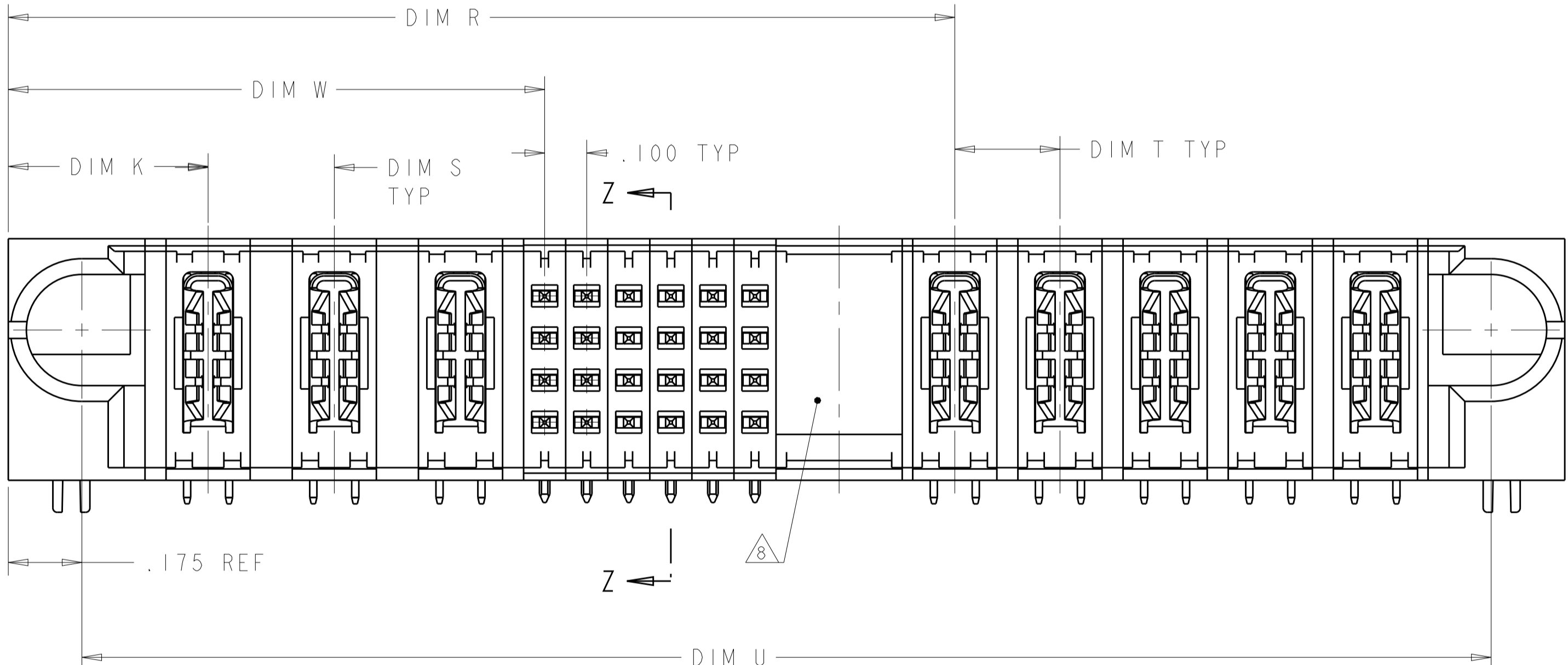
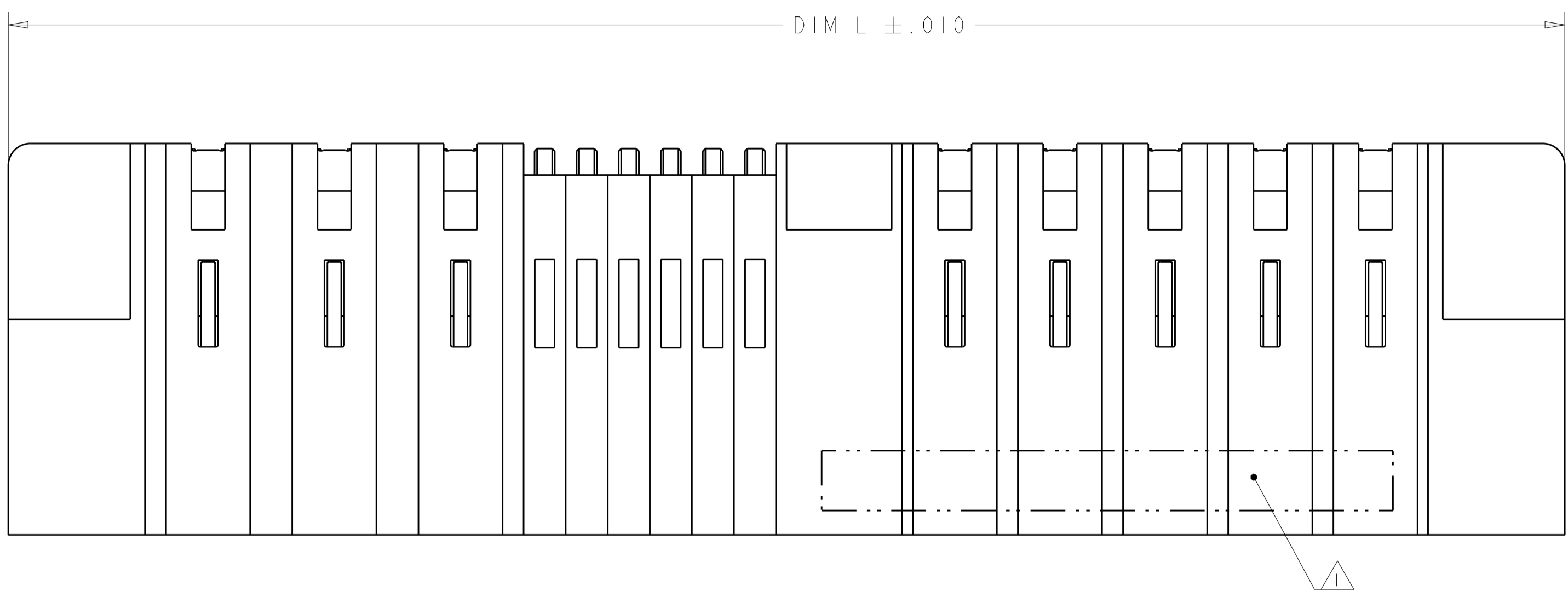
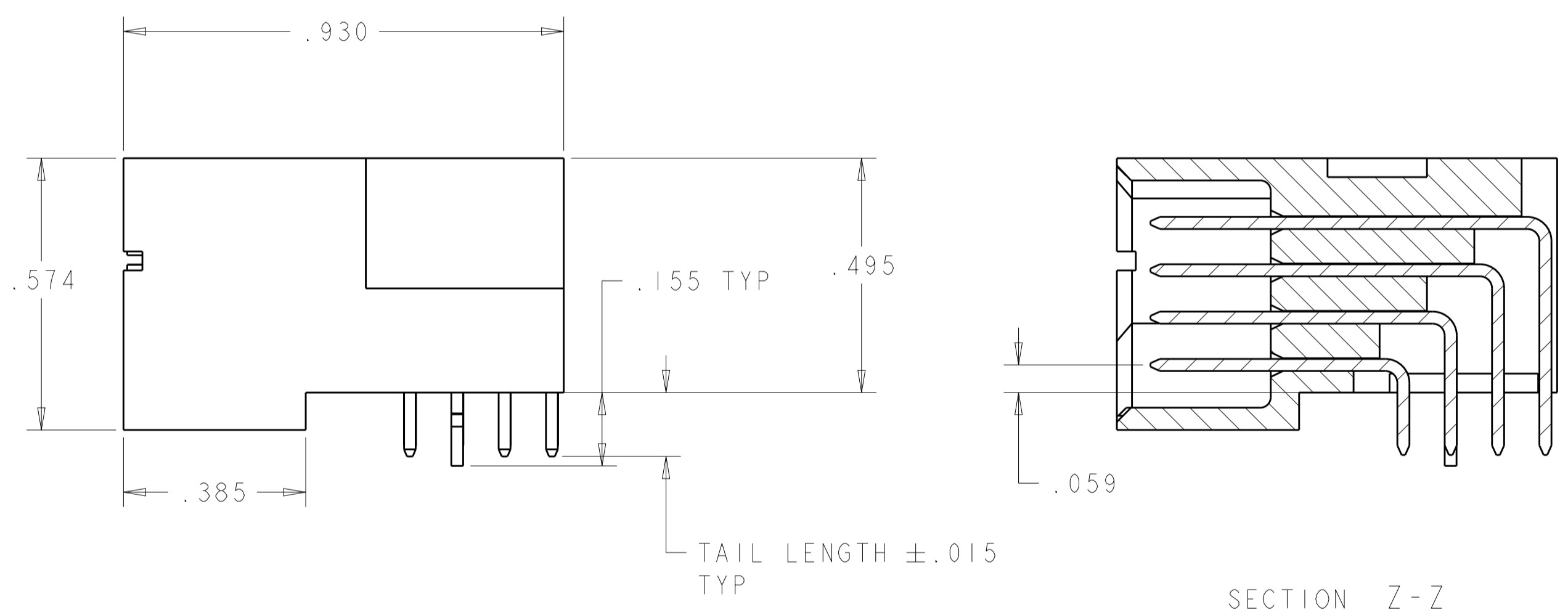


LOC	DIST	REVISIONS					
		P	LTN	DESCRIPTION	DATE	DWN	APVD
ES	00	M1		ADD NEW DASH NUMBER 7-0	08FEB2014	AL	SZ
		M2		ADD NEW DASH NUMBER	21MAR2014	AL	SZ



- 1 "AMP" PART NUMBER AND DATE CODE TO BE MARKED IN AREA SHOWN. PARTS UNDER 2.500 LONG MAY BE MARKED ON BOTH SIDES.
- 2 MATERIAL: HOUSING - GLASS FILLED HIGH TEMP THERMO PLASTIC, UL 94 V-0
 SIGNAL CONTACT - COPPER ALLOY
 POWER CONTACT - HIGH CONDUCTIVITY COPPER ALLOY.
- 3 CONTACT FINISHE:
 NOBLE METAL PLATED ON THE CONTACT FUNCTIONAL AREA OF POWER AND SIGNAL CONTACTS.
- 4 MECHANICAL CONNECTOR KEEP OUT ZONE. WHEN PLACING CONNECTORS END-TO-END, ALLOW ADDITIONAL 0.1 CLEARANCE BETWEEN CONNECTORS FOR LATCH ACTIVATION.
- 5 DATUM AND BASIC DIMENSIONS ESTABLISHED BY CUSTOMER.
- 6 PCB - ALL HOLE DIAMETERS ARE FINISHED HOLE SIZES.
- 7 PCB - .0453 \pm .0010 DRILLED HOLES PLATED WITH .0003 MIN Sn OVER .001 TO .003 Cu PLATING TO ACHIEVE A .040 DIA HOLE.
- 8 OPTIONAL CENTER MODULE WITH \varnothing .150 THRU HOLE OR HOLD DOWN FEATURE.



THIS DRAWING IS A CONTROLLED DOCUMENT.

DWN: R.GRZYBOWSKI 02FEB05
 CHK: M.PERCHEKKE 02FEB05
 APVD: M.PERCHEKKE 02FEB05

STE TE Connectivity

NAME: RIGHT ANGLE HEADER W/GUIDES ASSEMBLY MULTI-BEAM XL

PRODUCT SPEC: 108-1973
 APPLICATION SPEC: 114-13038

SIZE: CAGE CODE DRAWING NO: A100779C=6450120
 RESTRICTED TO: -

WEIGHT: -
 CUSTOMER DRAWING

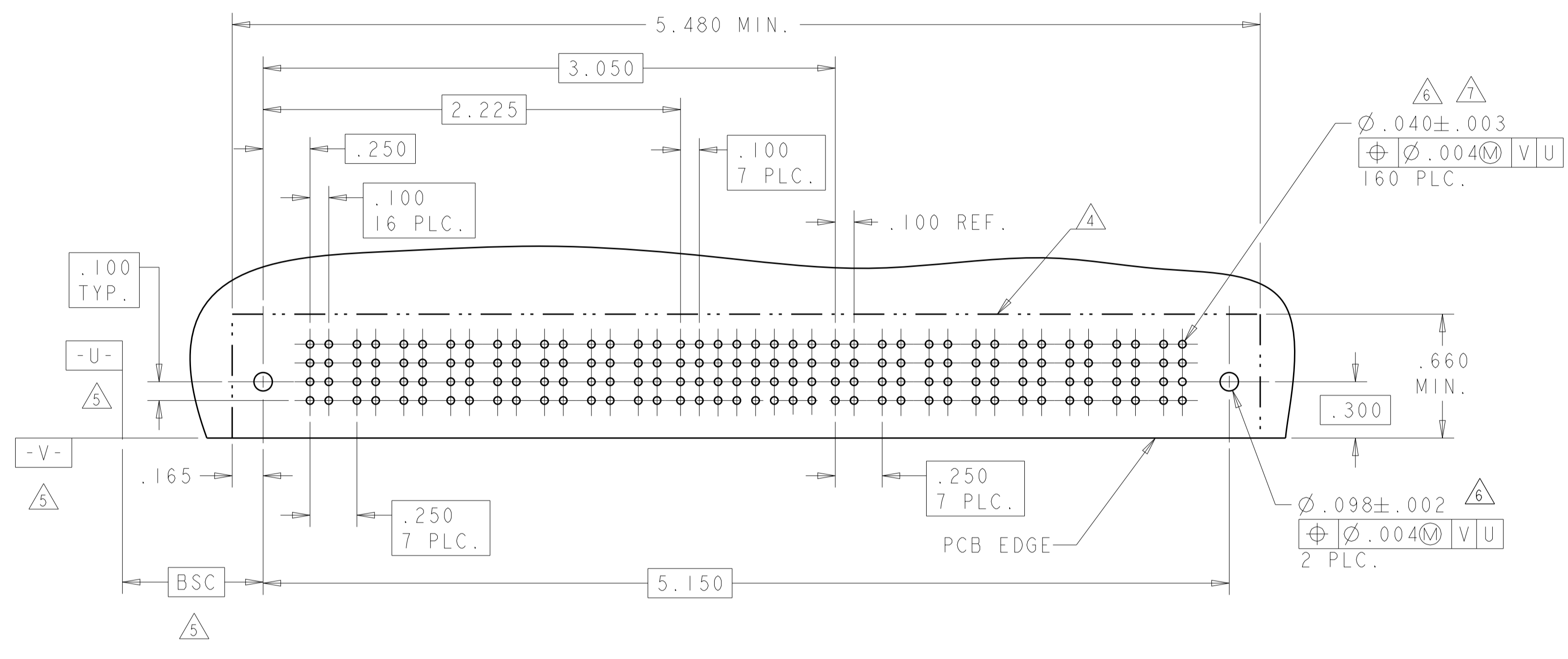
DIMENSIONS: INCHES
 TOLERANCES UNLESS OTHERWISE SPECIFIED:
 0 PLC \pm
 1 PLC $\pm .01$
 2 PLC $\pm .005$
 3 PLC $\pm .0020$
 4 PLC $\pm .0020$
 ANGLES $\pm 2^\circ$

FINISH: Δ

SCALE: 4:1 SHEET 1 OF 24 REV: M2

LOC	DIST	REVISIONS					
ES	00	P	LTN	DESCRIPTION	DATE	OWN	APVD
		-		SEE SHEET 1			

PART NUMBER	ROWS	POWER							SIGNAL								POWER							
		P1	P2	P3	P4	P5	P6	P7	P8	1	2	3	4	5	6	7	8	P9	P10	P11	P12	P13	P14	P15
6450120-1	D C B A	PM	PM	PM	PM	PM	PM	PM	J	J	J	J	J	J	J	J	PM	PM	PM	PM	PM	PM	PM	PM
									K	K	K	K	K	K	K	K								
									S	S	S	S	S	S	S	S								
8P + 32S + 8P		HD		HD																				

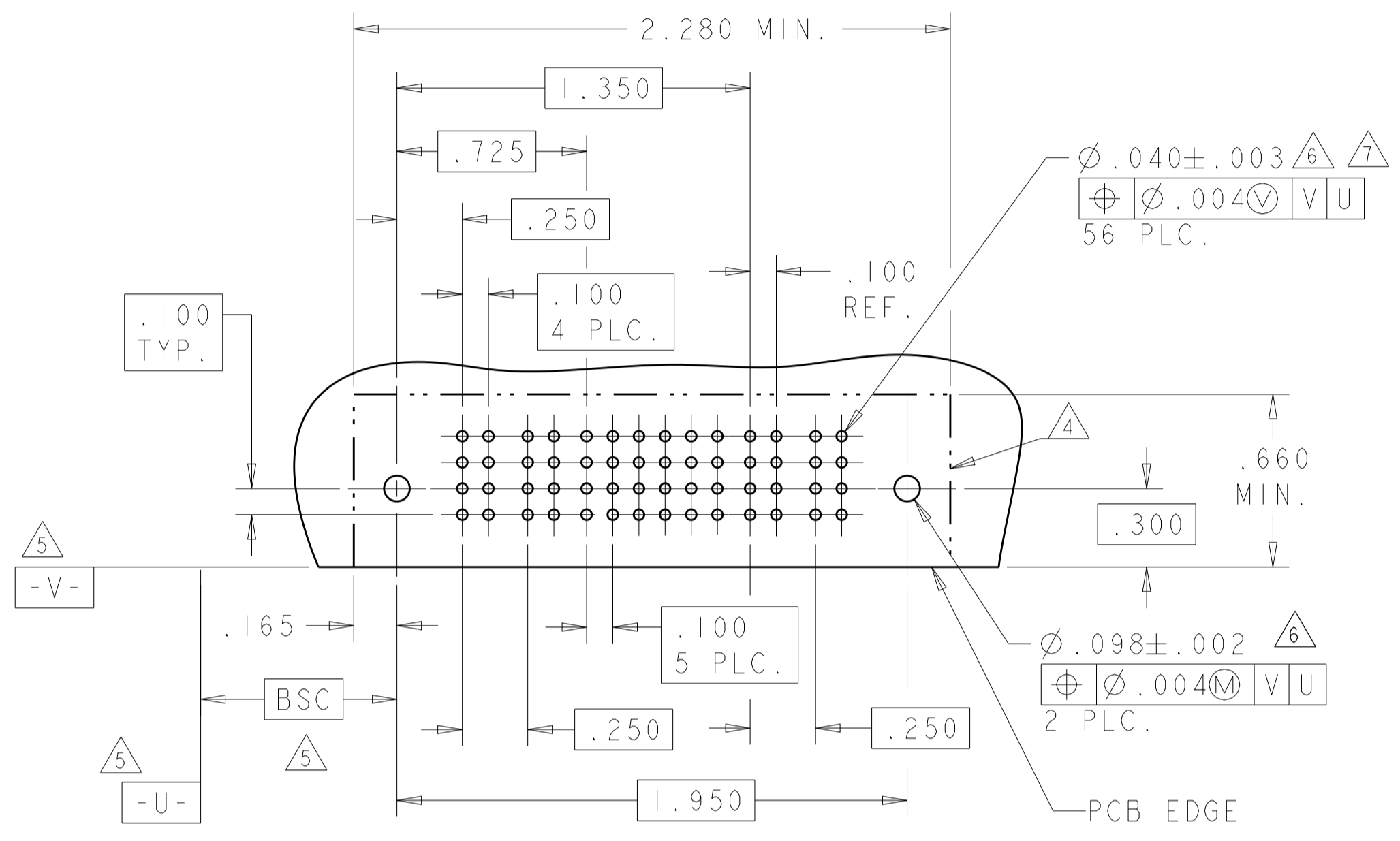


M2	1	2	3	4	5	6	7	8	9	10	11	12	13	14	15	16	17	18	19	20	21	22	23	24	25	26	27	28	29	30	31	32	33	34	35	36	37	38	39	40	41	42	43	44	45	46	47	48	49	50	51	52	53	54	55	56	57	58	59	60	61	62	63	64	65	66	67	68	69	70	71	72	73	74	75	76	77	78	79	80	81	82	83	84	85	86	87	88	89	90	91	92	93	94	95	96	97	98	99	100
1.700	.250	.250	1.300	.875	1.750	-	2.050	.450	2P+16S+2P	7-6450120-1																																																																																										
2.700	.200	-	2.600	1.425	2.750	-	3.050	.450	5P + 44S + 1P	7-6450120-0																																																																																										
1.100	-	-	1.000	.625	1.150	-	1.450	.450	1P+12S+1P	6-6450120-9																																																																																										
1.000	-	-	.900	.625	1.050	-	1.350	.450	1P + 8S + 1P	6-6450120-8																																																																																										
2.850	.300	.200	2.125	1.825	2.900	-	3.200	.450	7HDP + 8S + 3ACP	6-6450120-7																																																																																										
2.650	.250	.200	1.550	.875	2.700	-	3.000	.450	2P + 24S + 6P	6-6450120-6																																																																																										
2.300	.300	.250	1.950	1.275	2.350	-	2.650	.475	3ACP + 24S + 2P	6-6450120-5																																																																																										
3.100	.250	.250	2.250	1.875	3.150	-	3.450	.450	6P + 12S + 4P	6-6450120-4																																																																																										
2.400	.250	.250	1.800	1.125	2.450	-	2.750	.475	3P + 24S + 3P	6-6450120-1																																																																																										
3.000	.300	.250	1.650	1.325	3.050	-	3.350	.475	3ACP + 8S + 6P	6-6450120-0																																																																																										
1.900	.300	.250	1.550	1.275	1.950	-	2.250	.475	3ACP + 8S + 2P	5-6450120-9																																																																																										
2.800	-	-	-	0.375	2.850	-	3.150	-	100S	5-6450120-8																																																																																										
2.700	.250	.250	2.100	1.125	2.750	-	3.050	.450	3P + 36S + 3P	5-6450120-7																																																																																										
1.100	-	-	1.000	.625	1.150	-	1.450	.450	1P + 12S + 1P	5-6450120-6																																																																																										
3.250	.300	.250	2.525	2.175	3.300	-	3.600	.450	7P + 8S + 3ACP	5-6450120-5																																																																																										
2.400	.250	.250	1.550	.875	2.450	-	2.750	.450	2P + 24S + 4P	5-6450120-3																																																																																										
5.400	.300	.300	2.875	2.175	5.450	-	5.750	.475	6P + 24S + 9P	5-6450120-2																																																																																										
3.800	.250	.300	1.875	1.375	3.850	-	4.150	.450	4P + 16S + 7ACP	5-6450120-0																																																																																										
1.600	.250	.250	1.250	.875	1.650	-	1.950	.450	2P + 12S + 2P	4-6450120-9																																																																																										
2.900	.250	.250	2.050	1.375	2.950	-	3.250	.450	4P + 24S + 4P	4-6450120-8																																																																																										
1.900	.250	.250	1.550	0.875	1.950	-	2.250	.450	2P + 24S + 2P	4-6450120-7																																																																																										
2.000	.250	.250	1.400	1.125	2.050	-	2.350	.450	3P + 8S + 3P	4-6450120-6																																																																																										
2.900	.250	.250	3.550	2.875	5.950	-	6.250	.450	10P + 24S + 10P	4-6450120-5																																																																																										
3.700	.200	.300	2.700	2.025	3.750	-	4.050	.450	8P + 24S + 4ACP	4-6450120-4																																																																																										
2.900	.300	.250	2.050	1.575	2.950	-	3.250	.475	4ACP+16S+4P	4-6450120-3																																																																																										
4.375	.250	.300	3.375	2.375	4.425	3.100	4.725	.450	8P + 24S + 1M + 4ACP	4-6450120-2																																																																																										
4.100	.300	.250	2.250	1.575	4.150	-	4.450	.475	4ACP + 24S + 8P	4-6450120-0																																																																																										
3.800	.250	.250	3.450	.875	3.850	-	4.150	.450	2P + 100S + 2P	3-6450120-6																																																																																										
4.600	.250	.250	3.250	1.875	4.650	-	4.950	.450	6P + 52S + 6P	3-6450120-5																																																																																										
5.100	.250	.250	3.500	2.175	5.150	-	5.450	.450	7P + 48S + 7P	3-6450120-4																																																																																										
3.500	.250	.300	2.775	2.375	3.550	-	3.850	.450	8P + 12S + 3ACP	3-6450120-3																																																																																										
4.000	.200	.200	2.700	1.825	4.050	-	4.350	.450	7HDP + 32S + 7HDP	3-6450120-0																																																																																										
3.900	.250	.250	2.550	1.875	3.950	-	4.250	.450	6P + 24S + 6P	2-6450120-7																																																																																										
5.200	.300	.250	2.350	1.625	5.250	-	5.550	.475	4ACP + 24S + 12P	2-6450120-6																																																																																										
2.500	.250	.250	2.150	1.425	2.550	-	2.850	.450	4P + 24S + 2P	2-6450120-5																																																																																										
3.600	.250	.250	2.500	1.625	3.650	-	3.950	.450	5P + 32S + 5P	2-6450120-4																																																																																										
2.500	.250	.250	2.150	.875	2.550	-	2.850	.450	2P + 48S + 2P	2-6450120-3																																																																																										
4.500	.300	.250	1.650	.975	4.550	-	4.850	.475	2ACP + 24S + 12P	2-6450120-2																																																																																										
2.850	.250	.250	2.000	1.125	2.900	-	3.200	.450	3P + 32S + 4P	2-6450120-1																																																																																										
3.950	.200	.250	2.125	1.025	4.000	-	4.300	.425	3P + 40S + 8P	2-6450120-0																																																																																										
1.400	-	-	1.300	.625	1.450	-	1.750	.450	1P + 24S + 1P	1-6450120-6																																																																																										
2.000	.300	.300	1.575	.975	2.050	-	2.350	.475	2P + 20S + 2P	1-6450120-4																																																																																										
1.200	-	-	1.100	.625	1.250	-	1.550	.450	1P + 16S + 1P	1-6450120-3																																																																																										
2.400	.250	.250	1.800	1.125	2.450	-	2.750	.450	3P + 24S + 3P	1-6450120-2																																																																																										
2.675	.200	.200	2.375	1.650	2.725	-	3.025	.450	5P + 24S + 2P	1-6450120-1																																																																																										
4.350	.250	.250	3.500	2.625	4.400	-	4.700	.450	9P + 32S + 4P	1-6450120-0																																																																																										
4.150	.250	.250	2.800	2.125	4.200	-	4.500	.450	7P + 24S + 6P	6450120-9																																																																																										
2.800	.250	.300	2.075	1.375	2.850	-	3.150	.450	4P + 24S + 3ACP	6450120-8																																																																																										
3.050	.300	.250	1.950	1.275	3.100	-	3.400	.475	3ACP + 24S + 5P	6450120-7																																																																																										
7.400	.250	.250	5.050	2.875	7.450	-	7.750	.450	10P + 84S + 10P	6450120-6																																																																																										
4.350	.250	.250	3.000	2.125	4.400	-	4.700	.450	7P + 32S + 6P	6450120-5																																																																																										
3.650	.250	.250	2.550	1.875	3.700	-	4.000	.450	6P + 24S + 5P	6450120-4																																																																																										
2.900	.250	.250	1.800	1.125	2.950	-	3.250	.450	3P + 24S + 5P	6450120-3																																																																																										
1.900	.250	.250	1.550	0.875	1.950	-	2.250	.450	2P + 24S + 2P	6450120-2																																																																																										
5.100	.250	.250	3.250	2.375	5.150	-	5.450	.450	8P + 32S + 8P	6450120-1																																																																																										

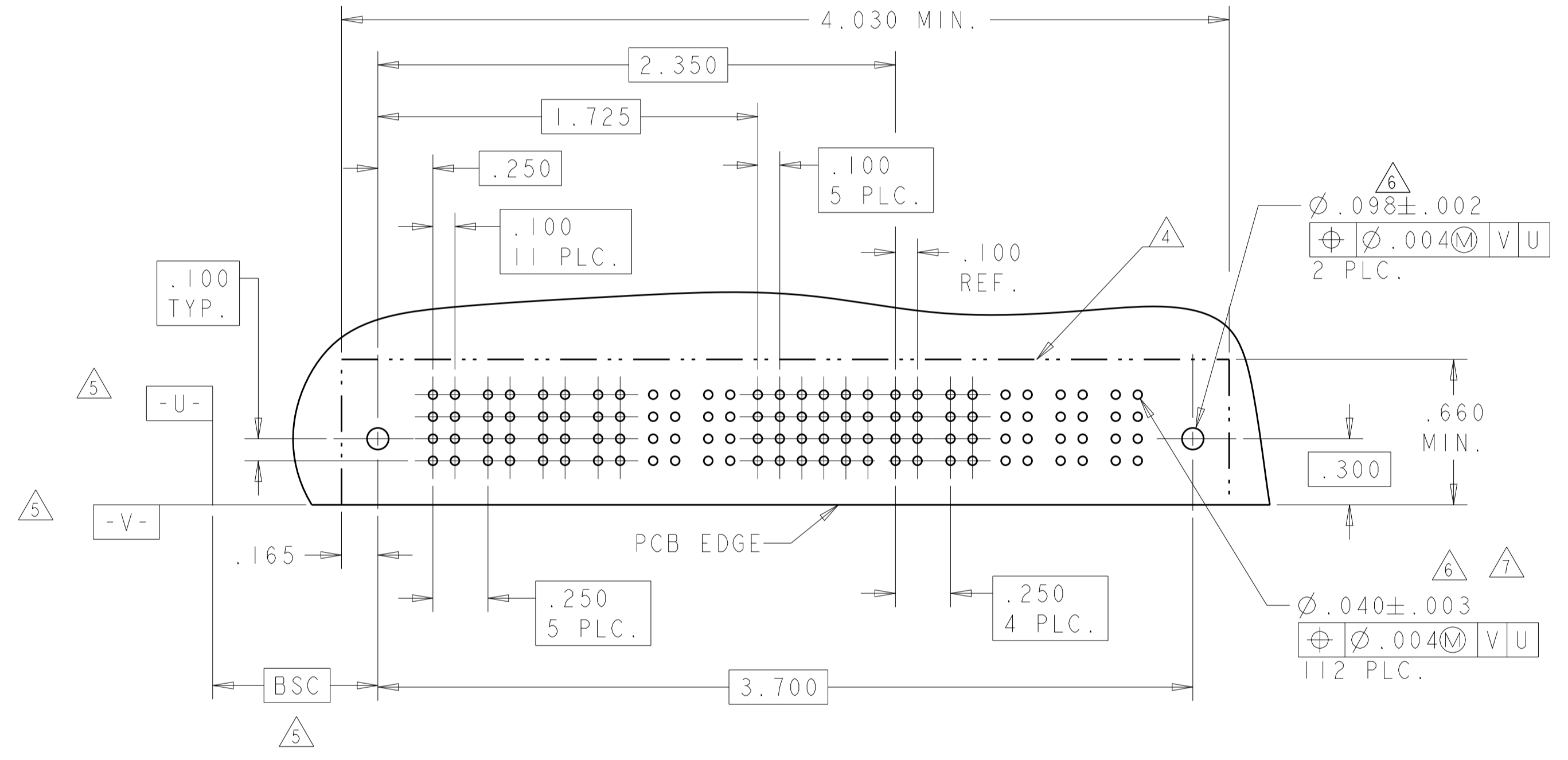
THIS DRAWING IS A CONTROLLED DOCUMENT. DIMENSIONS: INCHES. TOLERANCES UNLESS OTHERWISE SPECIFIED: 0 PLC ±.01, 1 PLC ±.01, 2 PLC ±.01, 3 PLC ±.005, 4 PLC ±.002, ANGLES ±.020. MATERIAL: FINISH: THIS DRAWING IS A CONTROLLED DOCUMENT. DWG: R. GRZYBOWSKI, CHK: M. PERCHERKE, APVD: M. PERCHERKE. DATE: 02FEB05. NAME: RIGHT ANGLE HEADER W/GUIDES ASSEMBLY MULTI-BEAM XL. PRODUCT SPEC: 108-1973. APPLICATION SPEC: 114-13038. WEIGHT: A100779. CUSTOMER DRAWING. SCALE: 4:1. SHEET 2 OF 24. REV: M2.

LOC	DIST	REV	DATE	BY	APPV
ES	00				
P LTH		DESCRIPTION		DATE	BY
		SEE SHEET 1			

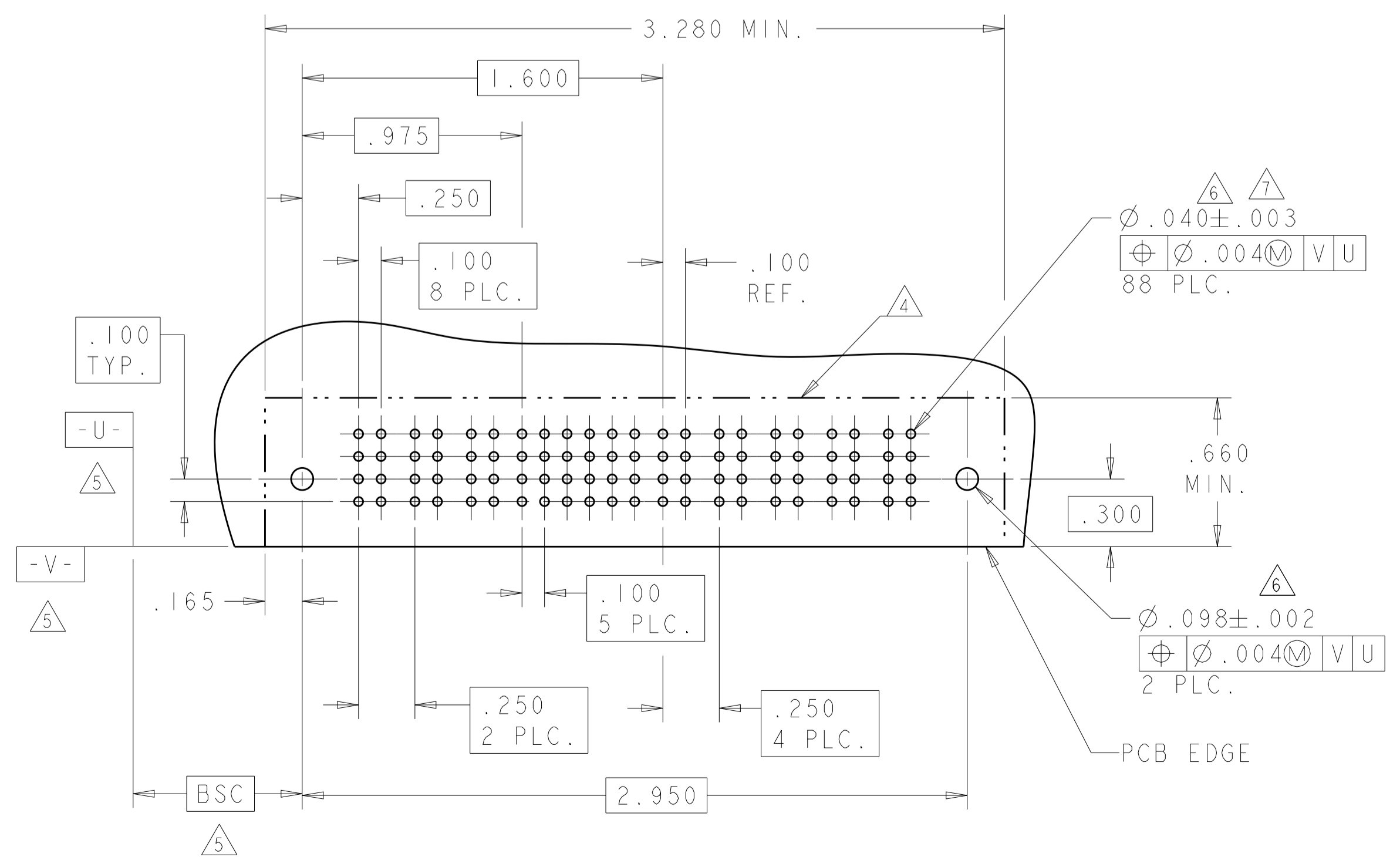
PART NUMBER	ROWS	POWER		SIGNAL						POWER	
		P1	P2	1	2	3	4	5	6	P3	P4
6450120-2	D	PM	PM	J	J	J	J	J	J	PM	PM
	C			K	K	K	K	K	K		
	B			N	N	N	N	N	N		
	A			S	S	S	S	S	S		
2P + 24S + 2P		HD								HD	



PART NUMBER	ROWS	POWER						SIGNAL						POWER				
		P1	P2	P3	P4	P5	P6	1	2	3	4	5	6	P7	P8	P9	P10	P11
6450120-4	D	PM	PM	PM	PM	PM	PM	J	J	J	J	J	PM	PM	PM	PM	PM	
	C							K	K	K	K	K						K
	B							N	N	N	N	N						N
	A							S	S	S	S	S						S
6P + 24S + 5P		HD								HD								



PART NUMBER	ROWS	POWER			SIGNAL						POWER				
		P1	P2	P3	1	2	3	4	5	6	P4	P5	P6	P7	P8
6450120-3	D	PM	PM	PM	J	J	J	J	J	J	PM	PM	PM	PM	PM
	C				K	K	K	K	K	K					
	B				N	N	N	N	N	N					
	A				S	S	S	S	S	S					
3P + 24S + 5P		HD								HD					



H	MLBF	.135	A
G	MLBF	.135	B
F	MLBF	.135	C
E	MLBF	.135	D
L4	STD	.165	D
L3	STD	.165	B
L2	STD	.165	C
L1	STD	.165	A
Z	STD	.090	D
Y	STD	.090	C
R	STD	.090	B
O	STD	.090	A
F	MLBF	.135	C
G	MLBF	.135	B
J	STD	.135	D
K	STD	.135	C
N	STD	.135	B
S	STD	.135	A
CODE	MATING SEQUENCE	TAIL LENGTH	ROW
SIGNAL CONTACT			

PD	.165
PA	.090
PM	.135
CODE	TAIL LENGTH
POWER CONTACT	

THIS DRAWING IS A CONTROLLED DOCUMENT. DWG: R. GRZYBOWSKI 02FEB05
 CHK: M. PERCHERKE 02FEB05
 APVD: M. PERCHERKE 02FEB05

STE TE Connectivity

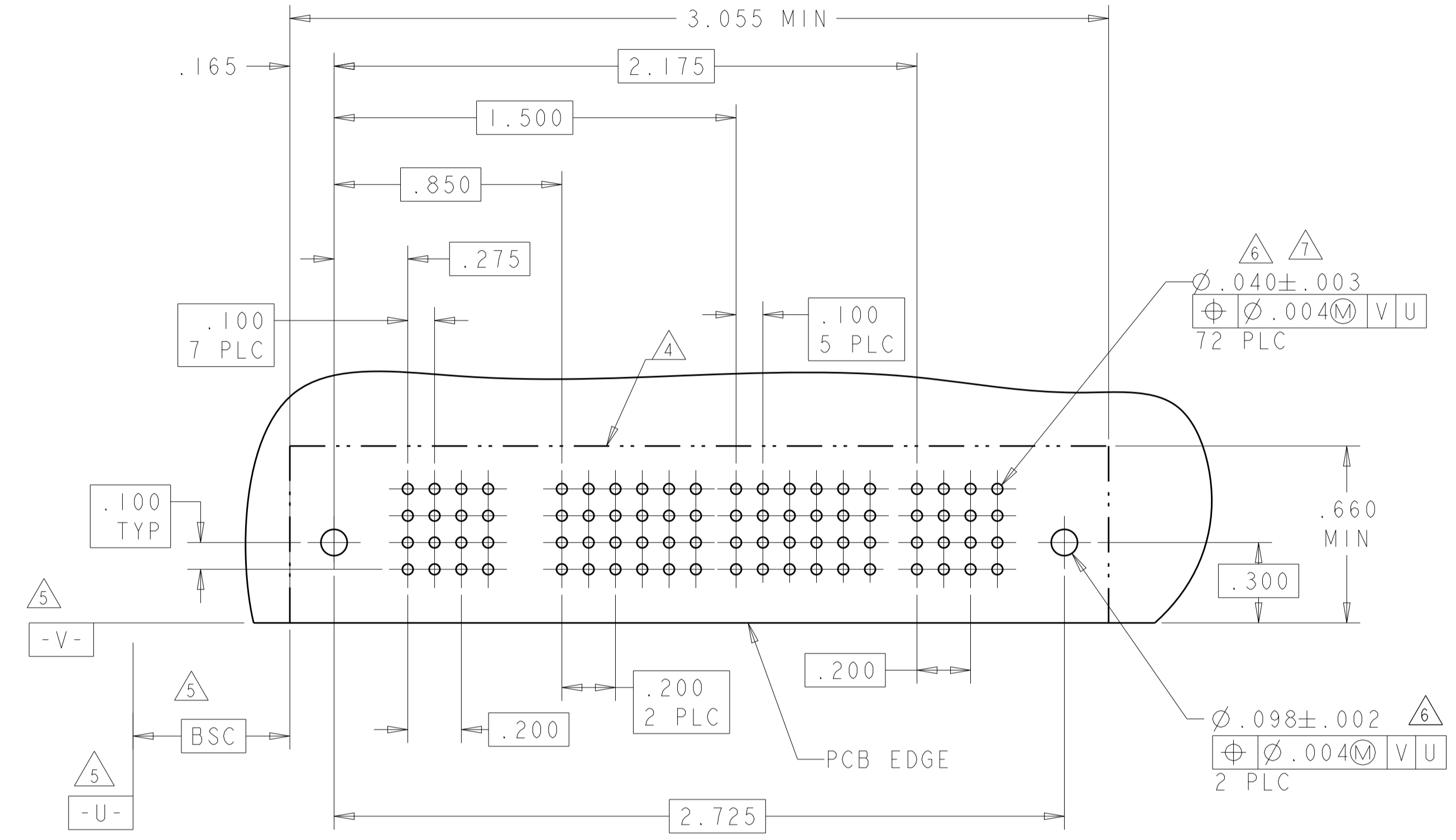
NAME: RIGHT ANGLE HEADER W/GUIDES ASSEMBLY MULTI-BEAM XL

PRODUCT SPEC: 108-1973
 APPLICATION SPEC: 114-13038

SIZE: A1
 CAGE CODE: 6450120
 DRAWING NO: 100779
 SHEET 3 OF 24
 REV: M2

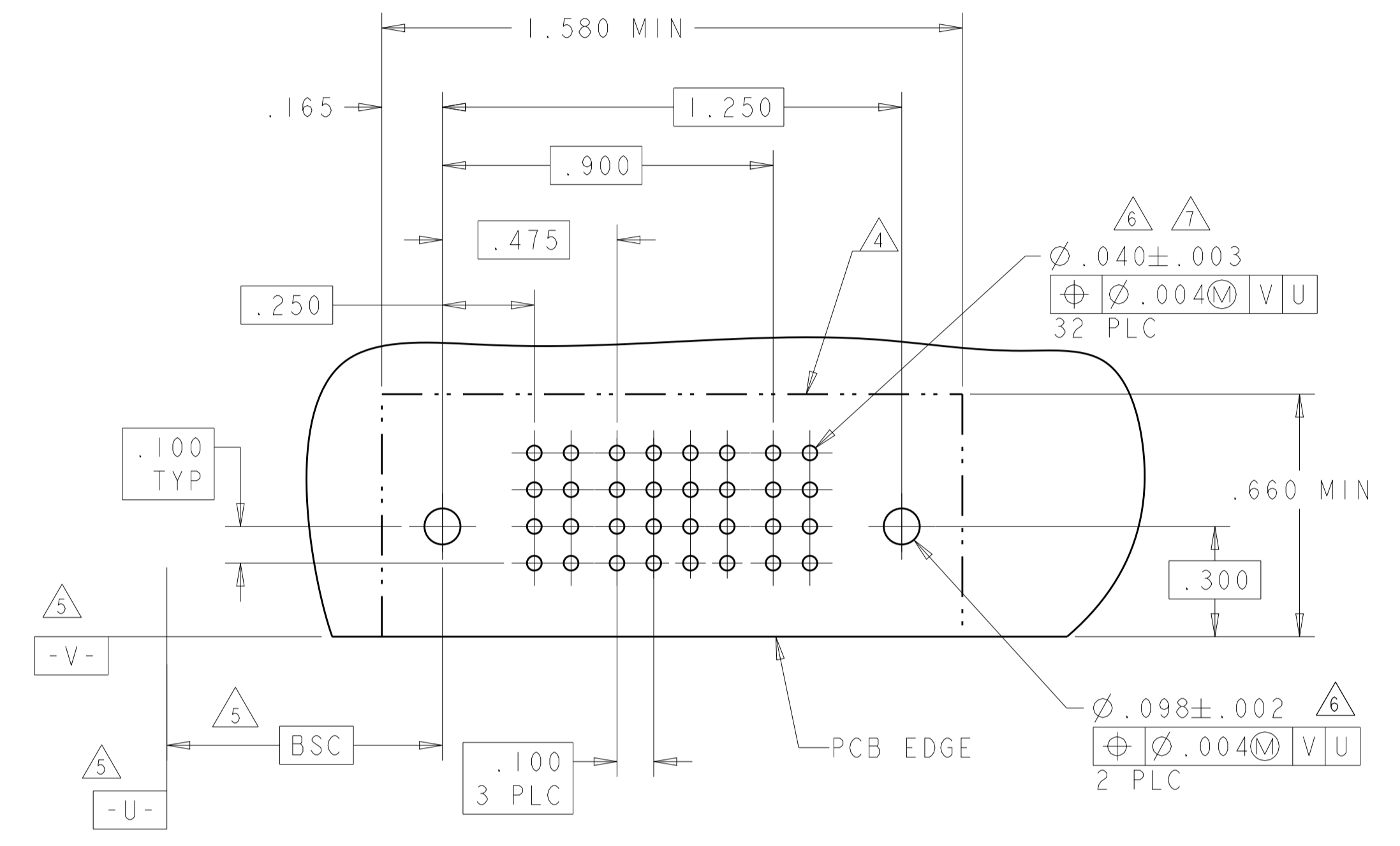
CUSTOMER DRAWING SCALE: 4:1

PART NUMBER	ROWS	POWER					SIGNAL						POWER	
		P1	P2	P3	P4	P5	1	2	3	4	5	6	P6	P7
I-6450120-1	D	PM	PM	PM	PM	J	J	J	J	J	J	PM	PM	HD
	C					K	K	K	K	K	K			
	B					N	N	N	N	N	N			
A	S	S	S	S	S	S	S	S	S	S	S	S	S	HD
5P + 24S + 2P														

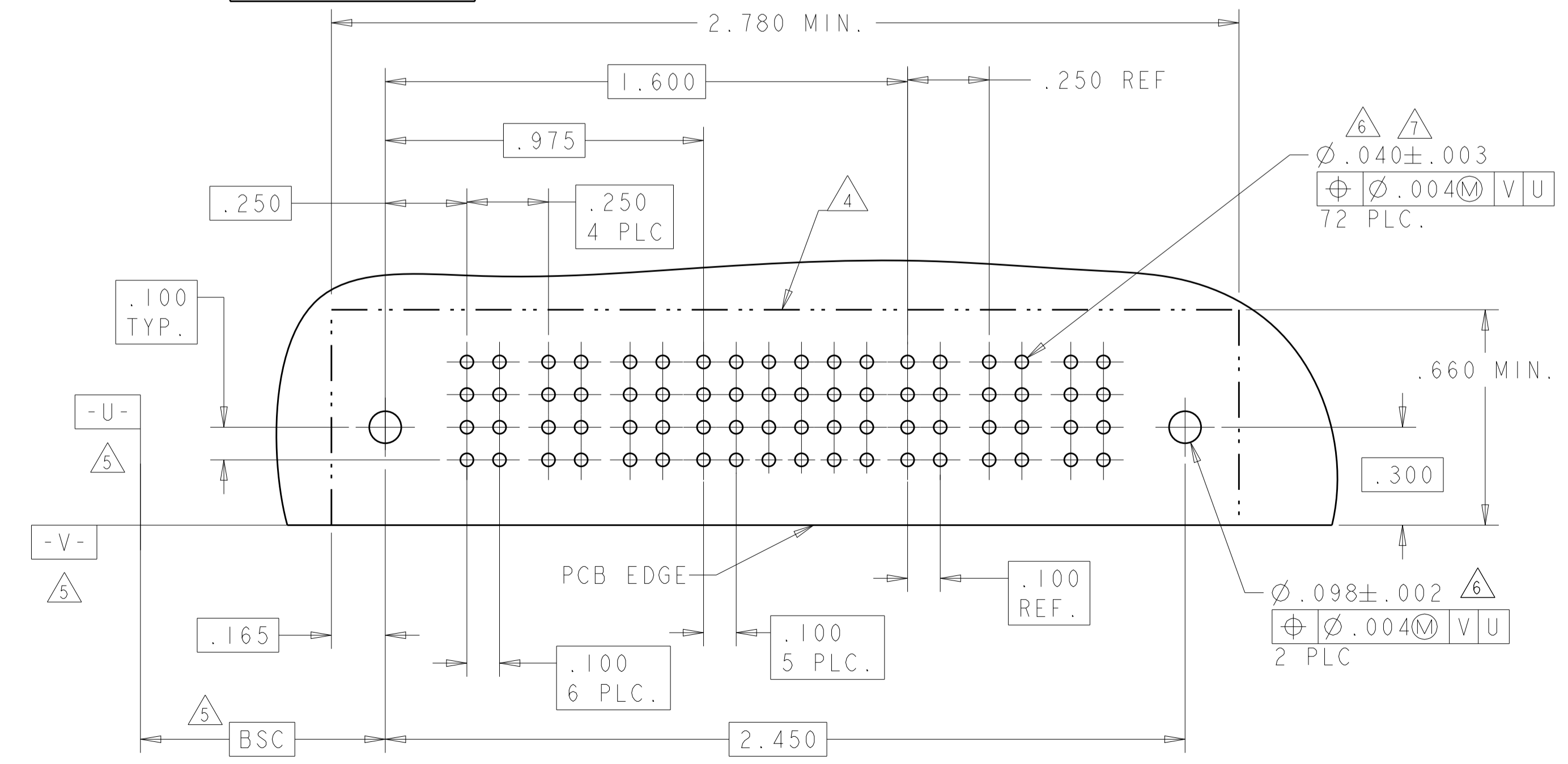


LOC	DIST	REVISIONS			
ES	00	REV	DATE	BY	APPD
		1			
		2			

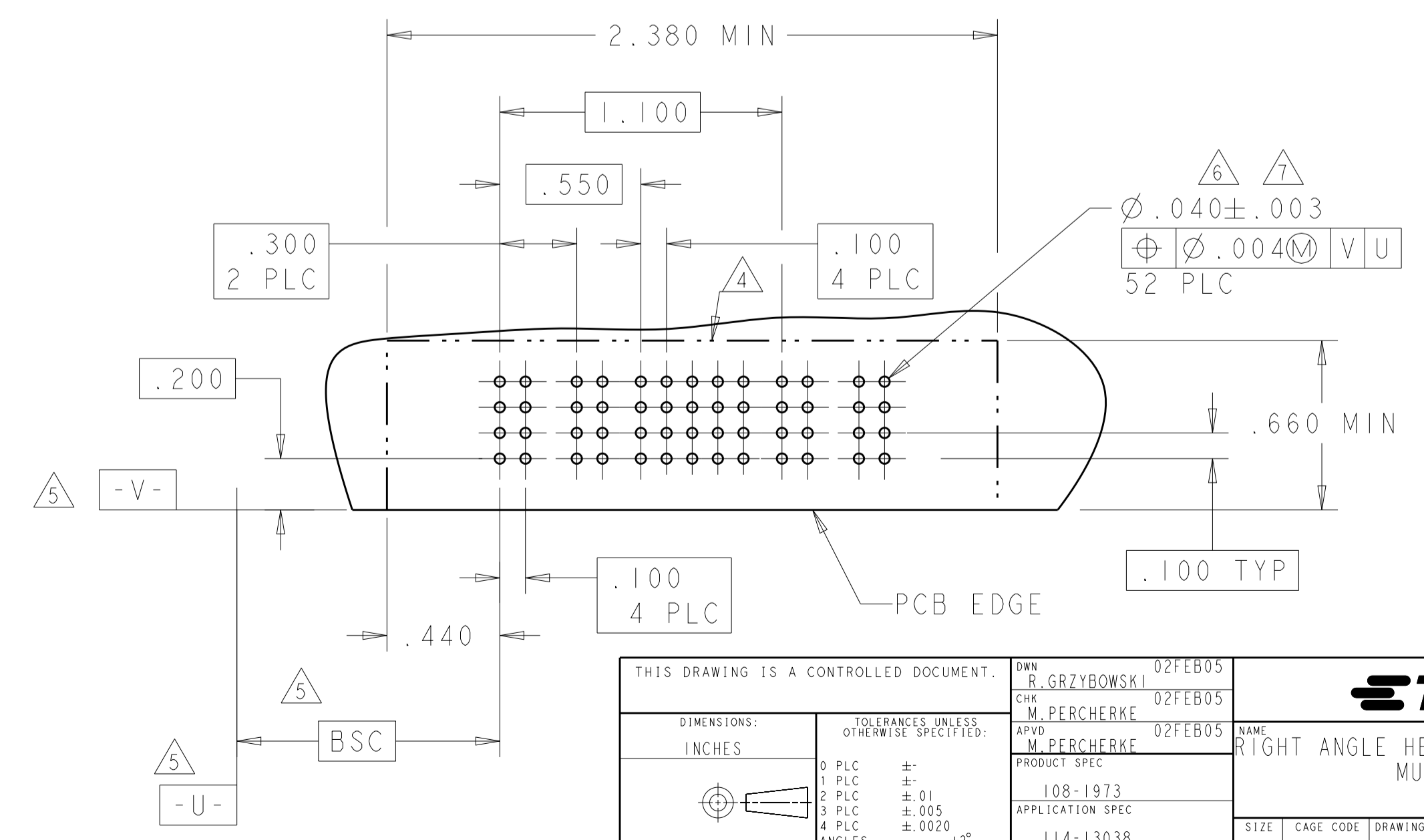
PART NUMBER	ROWS	POWER		SIGNAL				POWER
		P1	P2	1	2	3	4	P2
I-6450120-3	D	PM	PM	J	J	J	J	PM
	C			K	K	K	K	
	B			N	N	N	N	
A	S	S	S	S	S	S	S	HD
IP + 16S + IP								



PART NUMBER	ROWS	POWER			SIGNAL						POWER		
		P1	P2	P3	1	2	3	4	5	6	P4	P5	P6
I-6450120-2	D	PM	PM	PM	J	J	J	J	J	J	PM	PM	PM
	C				K	K	K	K	K				
	B				N	N	N	N	N				
A	S	S	S	S	S	S	S	S	S	S	S	S	HD
3P + 24S + 3P													



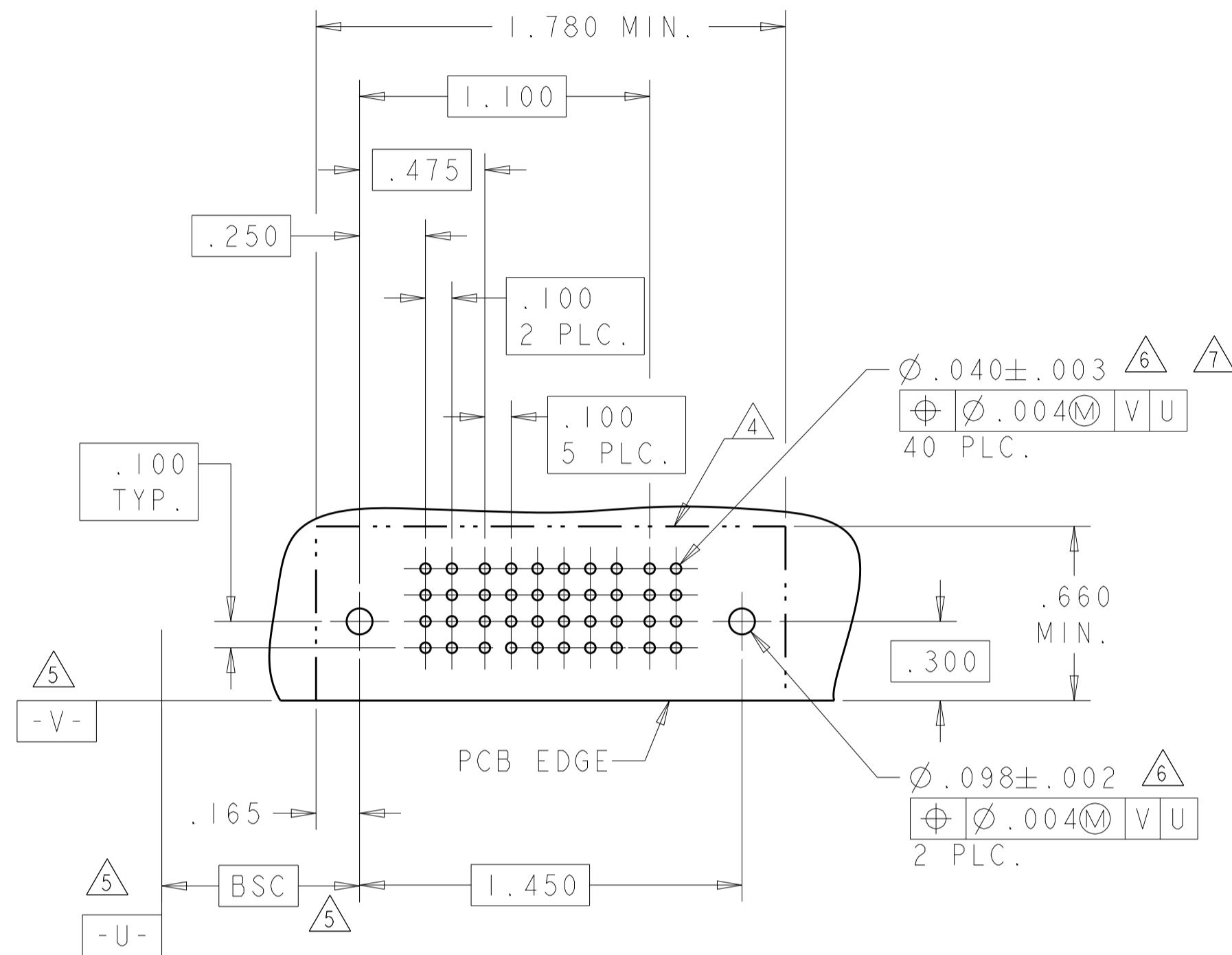
PART NUMBER	ROWS	POWER		SIGNAL					POWER	
		P1	P2	1	2	3	4	5	P3	P4
I-6450120-4	D	PM	PM	J	J	J	J	J	PM	PM
	C			K	K	K	K			
	B			N	N	N	N			
A	S	S	S	S	S	S	S	S	S	HD
2P + 20S + 2P										



THIS DRAWING IS A CONTROLLED DOCUMENT.

OWN: R. GRZYBOWSKI	02FEB05	TE Connectivity RIGHT ANGLE HEADER W/GUIDES ASSEMBLY MULTI-BEAM XL
CHK: M. PERCHERKE	02FEB05	
APPD: M. PERCHERKE	02FEB05	
NAME: M. PERCHERKE	02FEB05	
DIMENSIONS: INCHES	TOLERANCES UNLESS OTHERWISE SPECIFIED:	PRODUCT SPEC
0 PLC ± .01	1 PLC ± .01	108-1973
2 PLC ± .01	2 PLC ± .01	APPLICATION SPEC
3 PLC ± .01	3 PLC ± .01	114-13038
4 PLC ± .002	4 PLC ± .002	SIZE: CAGE CODE: DRAWING NO:
5 PLC ± .002	5 PLC ± .002	RESTRICTED TO:
6 PLC ± .002	6 PLC ± .002	A100779
7 PLC ± .002	7 PLC ± .002	SCALE: 4:1
8 PLC ± .002	8 PLC ± .002	SHEET 6 OF 24
9 PLC ± .002	9 PLC ± .002	REV: M2
10 PLC ± .002	10 PLC ± .002	
11 PLC ± .002	11 PLC ± .002	
12 PLC ± .002	12 PLC ± .002	
13 PLC ± .002	13 PLC ± .002	
14 PLC ± .002	14 PLC ± .002	
15 PLC ± .002	15 PLC ± .002	
16 PLC ± .002	16 PLC ± .002	
17 PLC ± .002	17 PLC ± .002	
18 PLC ± .002	18 PLC ± .002	
19 PLC ± .002	19 PLC ± .002	
20 PLC ± .002	20 PLC ± .002	
21 PLC ± .002	21 PLC ± .002	
22 PLC ± .002	22 PLC ± .002	
23 PLC ± .002	23 PLC ± .002	
24 PLC ± .002	24 PLC ± .002	
25 PLC ± .002	25 PLC ± .002	
26 PLC ± .002	26 PLC ± .002	
27 PLC ± .002	27 PLC ± .002	
28 PLC ± .002	28 PLC ± .002	
29 PLC ± .002	29 PLC ± .002	
30 PLC ± .002	30 PLC ± .002	
31 PLC ± .002	31 PLC ± .002	
32 PLC ± .002	32 PLC ± .002	
33 PLC ± .002	33 PLC ± .002	
34 PLC ± .002	34 PLC ± .002	
35 PLC ± .002	35 PLC ± .002	
36 PLC ± .002	36 PLC ± .002	
37 PLC ± .002	37 PLC ± .002	
38 PLC ± .002	38 PLC ± .002	
39 PLC ± .002	39 PLC ± .002	
40 PLC ± .002	40 PLC ± .002	
41 PLC ± .002	41 PLC ± .002	
42 PLC ± .002	42 PLC ± .002	
43 PLC ± .002	43 PLC ± .002	
44 PLC ± .002	44 PLC ± .002	
45 PLC ± .002	45 PLC ± .002	
46 PLC ± .002	46 PLC ± .002	
47 PLC ± .002	47 PLC ± .002	
48 PLC ± .002	48 PLC ± .002	
49 PLC ± .002	49 PLC ± .002	
50 PLC ± .002	50 PLC ± .002	
51 PLC ± .002	51 PLC ± .002	
52 PLC ± .002	52 PLC ± .002	

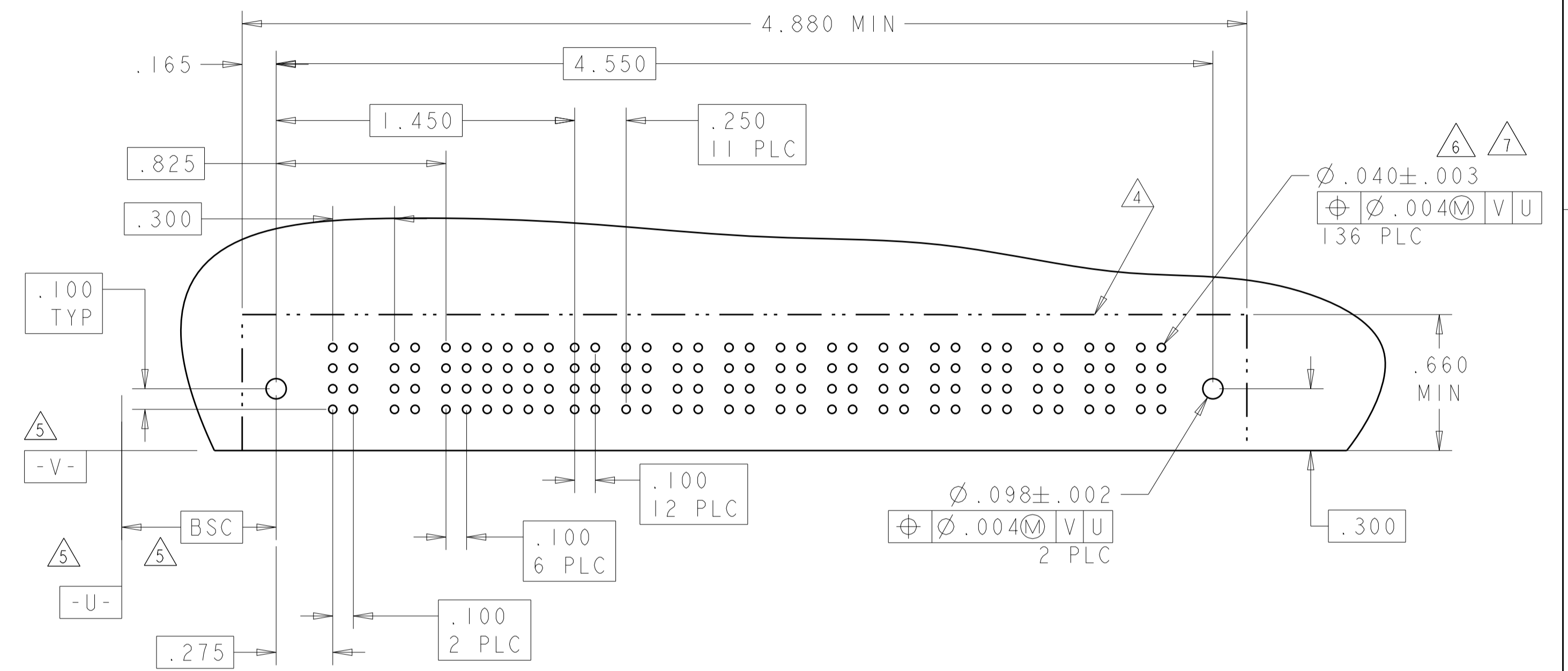
PART NUMBER	ROWS	POWER		SIGNAL						POWER			
		PI	P2	1	2	3	4	5	6	P7	P8		
1-6450120-6	D	PA	PA	Z	Z	Z	Z	Z	Z	PA	PA	HD	HD
	C			Y	Y	Y	Y	Y	Y				
	B			R	R	R	R	R	R				
A	O	O	O	O	O	O							
IP + 24S + IP													



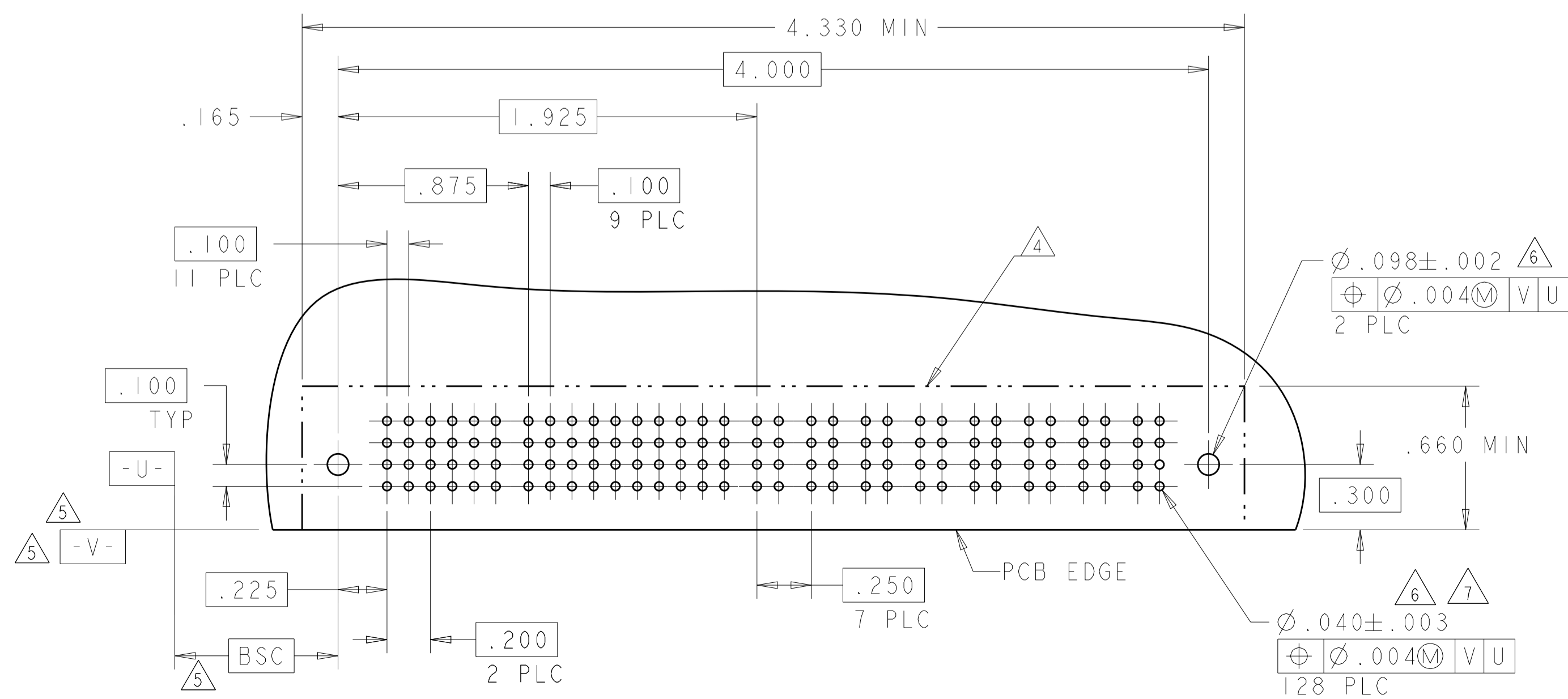
LOC	DIST	REV	DATE	APP'D
ES	00			

REV	DESCRIPTION	DATE	APP'D
1	SEE SHEET 1		

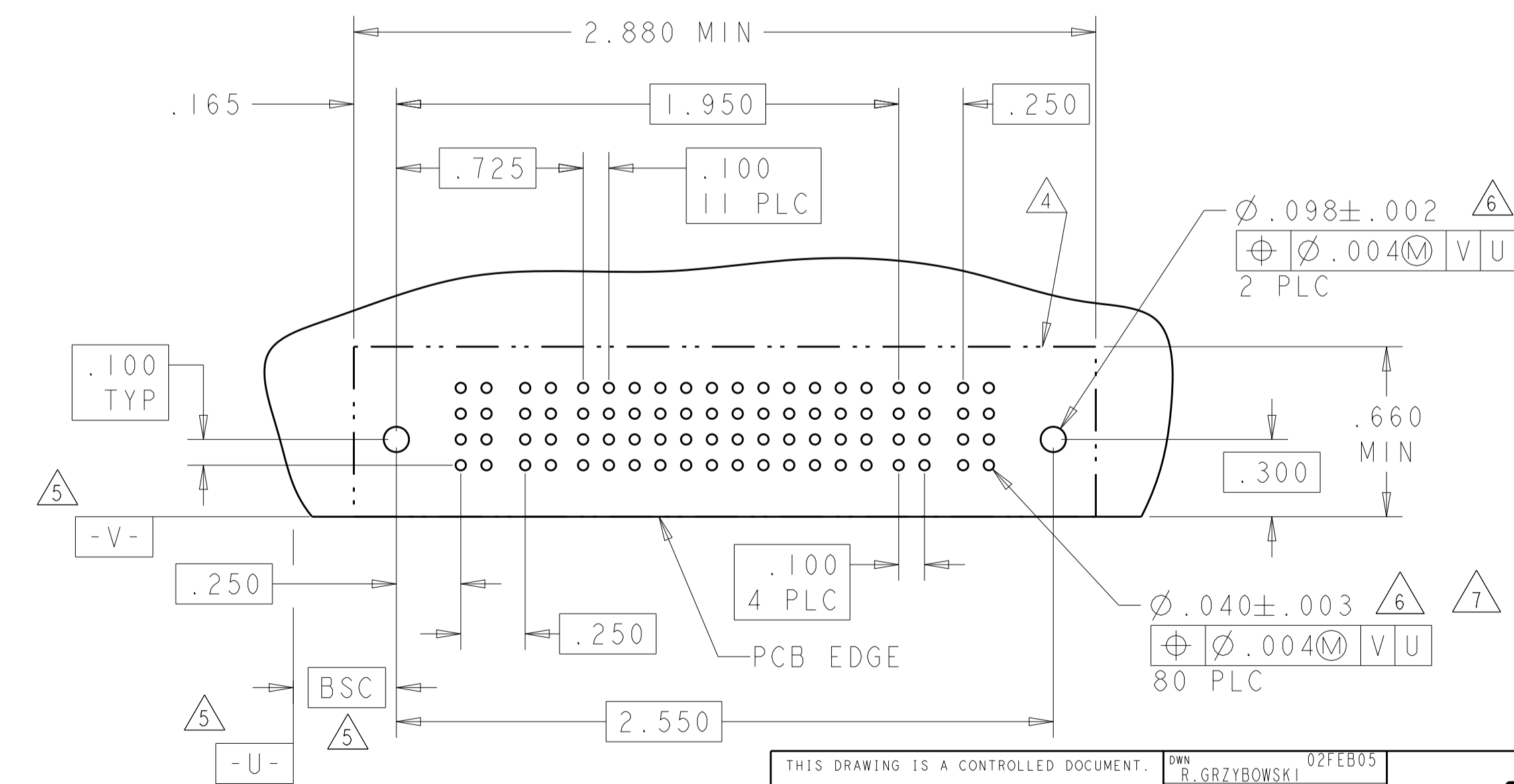
PART NUMBER	ROWS	POWER		SIGNAL						POWER														
		PI	P2	1	2	3	4	5	6	P3	P4	P5	P6	P7	P8	P9	P10	P11	P12	P13	P14			
2-6450120-2	D	PM	PM	J	J	J	J	J	J	PM	PM	PM	PM	PM	PM	PM	PM	PM	PM	PM	PM	PM	PM	PM
	C			K	K	K	K	K	K															
	B			N	N	N	N	N	N															
A	S	S	S	S	S	S																		
2ACP + 24S + 12P																								



PART NUMBER	ROWS	POWER			SIGNAL										POWER										
		PI	P2	P3	1	2	3	4	5	6	7	8	9	10	P4	P5	P6	P7	P8	P9	P10	P11			
2-6450120-0	D	PM	PM	PM	J	J	J	J	J	J	J	J	J	J	PM	PM	PM	PM	PM	PM	PM	PM	PM	PM	PM
	C				K	K	K	K	K	K	K	K	K												
	B				N	N	N	N	N	N	N	N	N	N											
A	S	S	S	S	S	S	S	S	S																
3P + 40S + 8P																									



PART NUMBER	ROWS	POWER		SIGNAL												POWER	
		PI	P2	1	2	3	4	5	6	7	8	9	10	11	12	P3	P4
2-6450120-3	D	PM	PM	J	J	J	J	J	J	J	J	J	J	J	J	PM	PM
	C			K	K	K	K	K	K	K	K	K	K	K			
	B			N	N	N	N	N	N	N	N	N	N	N			
A	S	S	S	S	S	S	S	S	S	S	S						
2P + 48S + 2P																	



THIS DRAWING IS A CONTROLLED DOCUMENT.

OWN: R. GRZYBOWSKI	02FEB05
CHK: M. PERCHERKE	02FEB05
APP'D: M. PERCHERKE	02FEB05
PRODUCT SPEC	108-1973
APPLICATION SPEC	114-13038
WEIGHT	A100779
CUSTOMER DRAWING	SCALE 4:1 SHEET 7 OF 24 REV M2

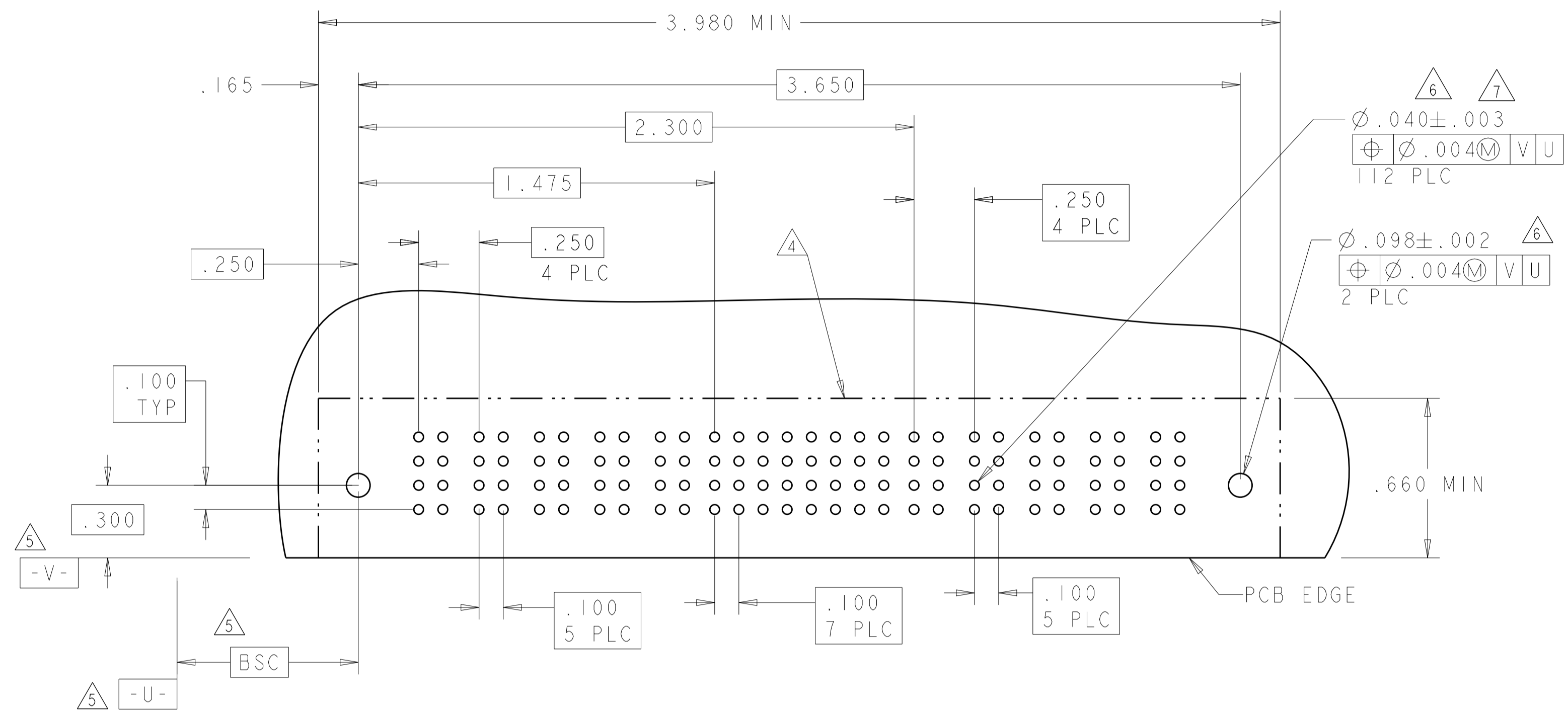
STE TE Connectivity

RIGHT ANGLE HEADER W/GUIDES ASSEMBLY MULTI-BEAM XL

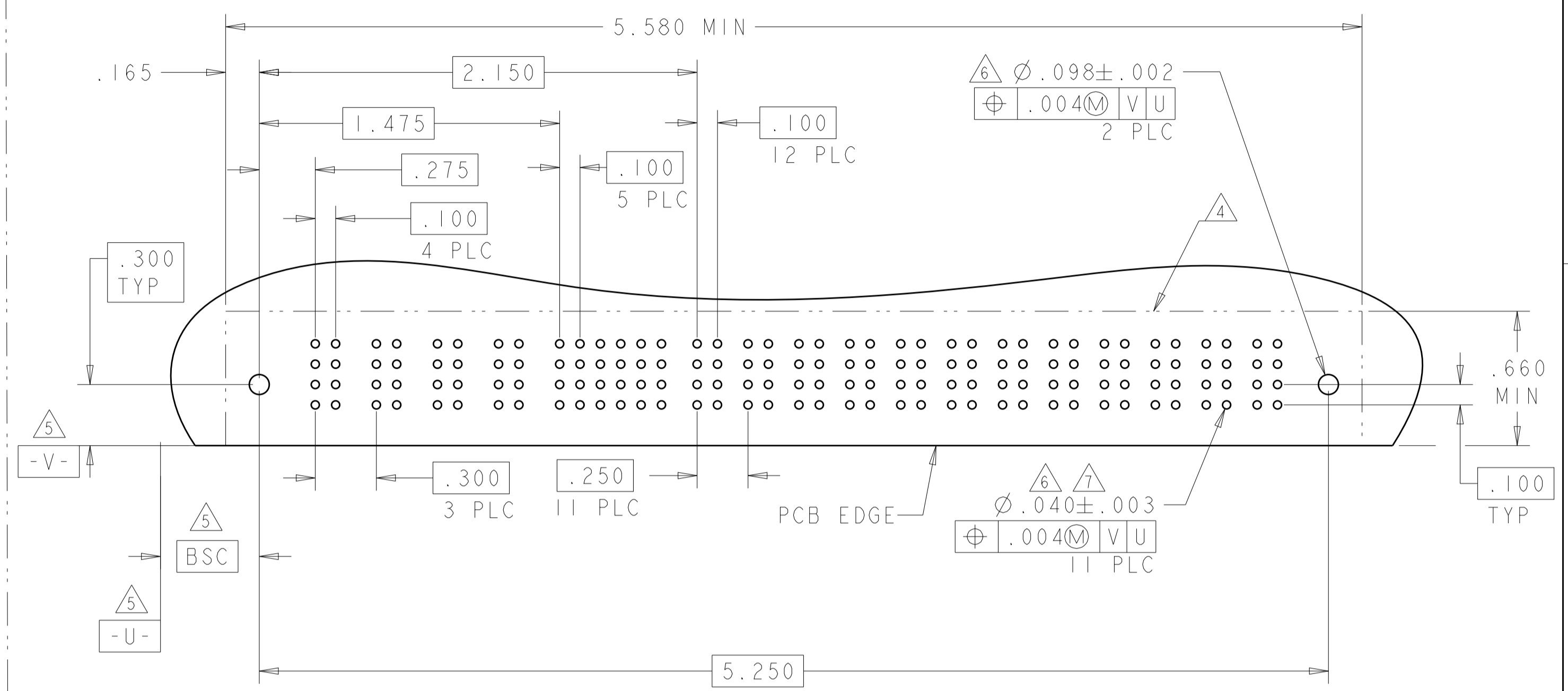
SIZE: CAGE CODE: DRAWING NO: RESTRICTED TO

LOC	DIST	REVISIONS			
ES	00	REV	DATE	BY	APPV
		1			
		SEE SHEET 1			

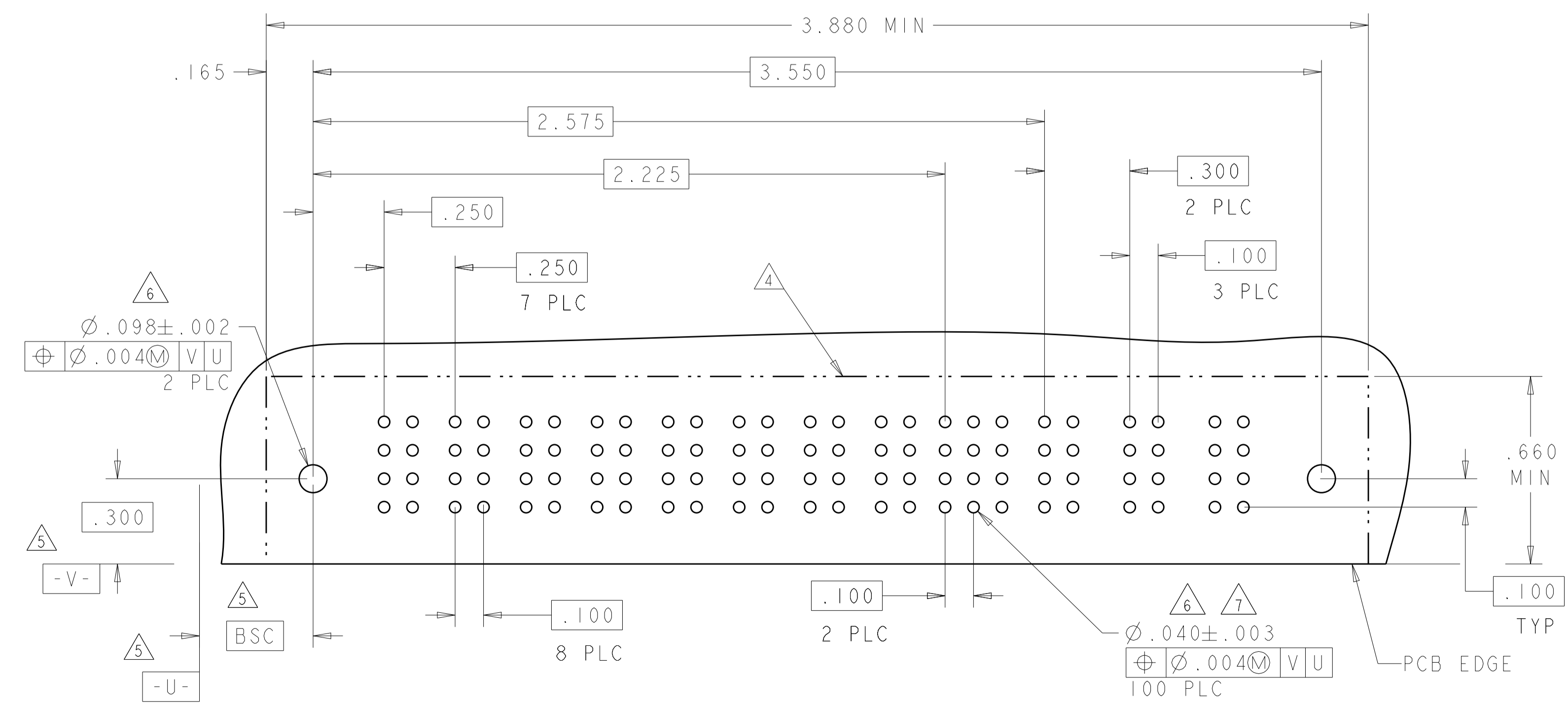
PART NUMBER	ROWS	POWER					SIGNAL								POWER				
		P1	P2	P3	P4	P5	1	2	3	4	5	6	7	8	P6	P7	P8	P9	P10
2-6450120-4	D	PM	PM	PM	PM	PM	J	J	J	J	J	J	J	J	PM	PM	PM	PM	PM
	K						K	K	K	K	K	K	K						
	N						N	N	N	N	N	N	N						
C	B	PM	PM	PM	PM	PM	S	S	S	S	S	S	S	S	PM	PM	PM	PM	PM
B							S	S	S	S	S	S	S						
A	A	PM	PM	PM	PM	PM								PM	PM	PM	PM	PM	
A																			
5P + 32S + 5P																			



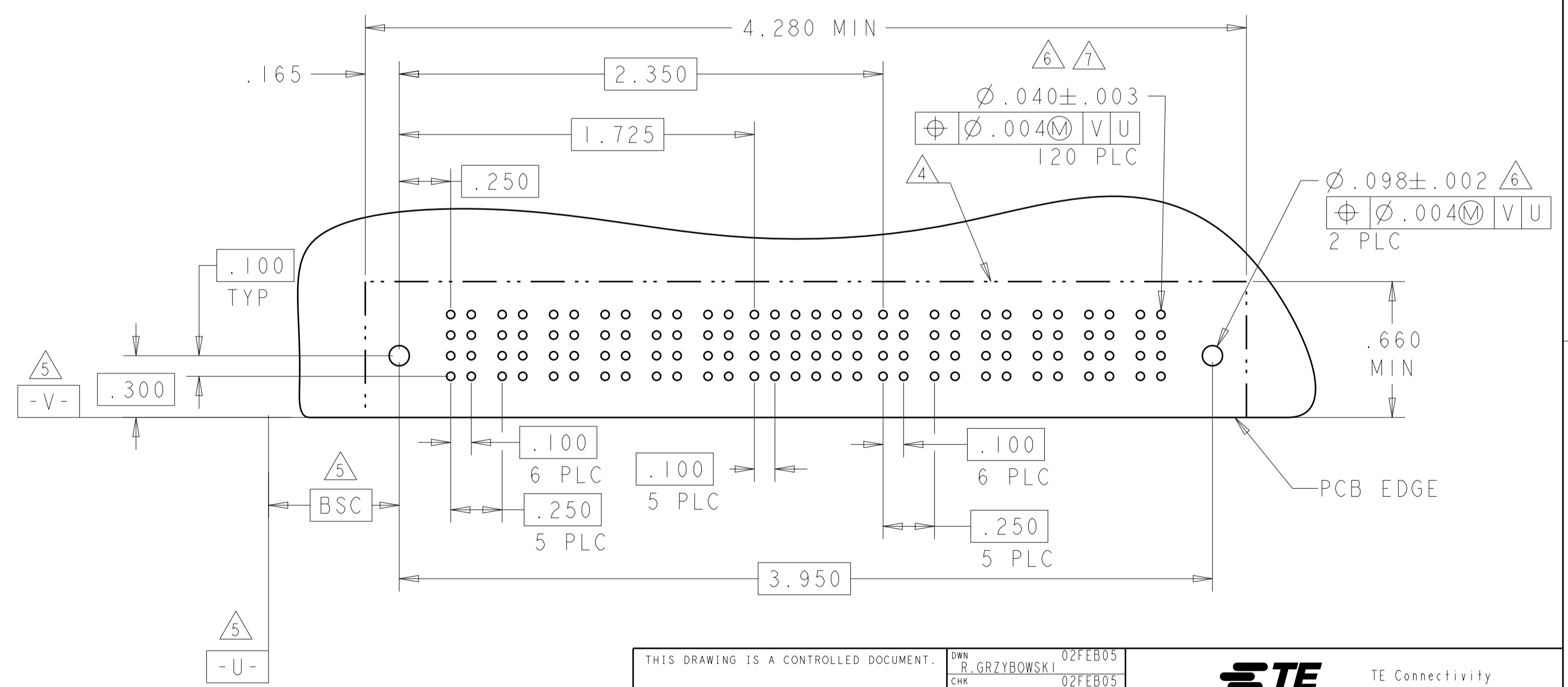
PART NUMBER	ROWS	AC POWER				SIGNAL						POWER													
		P1	P2	P3	P4	1	2	3	4	5	6	P5	P6	P7	P8	P9	P10	P11	P12	P13	P14	P15	P16		
2-6450120-6	D	PM	PM	PM	PM	J	J	J	J	J	J	J	J	PM	PM	PM	PM	PM	PM	PM	PM	PM	PM	PM	PM
	K					K	K	K	K	K	K	K													
	N					N	N	N	N	N	N	N													
C	B	PM	PM	PM	PM	PM	S	S	S	S	S	S	S	S	PM	PM	PM	PM	PM	PM	PM	PM	PM		
B							S	S	S	S	S	S	S												
A	A	PM	PM	PM	PM	PM								PM	PM	PM	PM	PM	PM	PM	PM	PM			
A																									
4ACP + 24S + 12P																									



PART NUMBER	ROWS	POWER								SIGNAL			POWER		
		P1	P2	P3	P4	P5	P6	P7	P8	1	2	3	P9	P10	P11
3-6450120-3	D	PM	PM	PM	PM	PM	PM	PM	PM	J	J	J	PM	PM	PM
	K									K	K				
	N									N	N				
C	B	PM	PM	PM	PM	PM	PM	PM	S	S	S	PM	PM	PM	
B									S	S	S				
A	A	PM	PM	PM	PM	PM	PM	PM				PM	PM	PM	
A															
8P + 12S + 3ACP															



PART NUMBER	ROWS	POWER						SIGNAL						POWER							
		P1	P2	P3	P4	P5	P6	1	2	3	4	5	6	P7	P8	P9	P10	P11	P12		
2-6450120-7	D	PM	PM	PM	PM	PM	PM	J	J	J	J	J	J	PM	PM	PM	PM	PM	PM		
	K							K	K	K	K	K									
	N							N	N	N	N	N									
C	B	PM	PM	PM	PM	PM	PM	S	S	S	S	S	S	PM	PM	PM	PM	PM	PM		
B								S	S	S	S	S	S								
A	A	PM	PM	PM	PM	PM	PM							PM	PM	PM	PM	PM	PM		
A																					
6P + 24S + 6P																					



THIS DRAWING IS A CONTROLLED DOCUMENT.

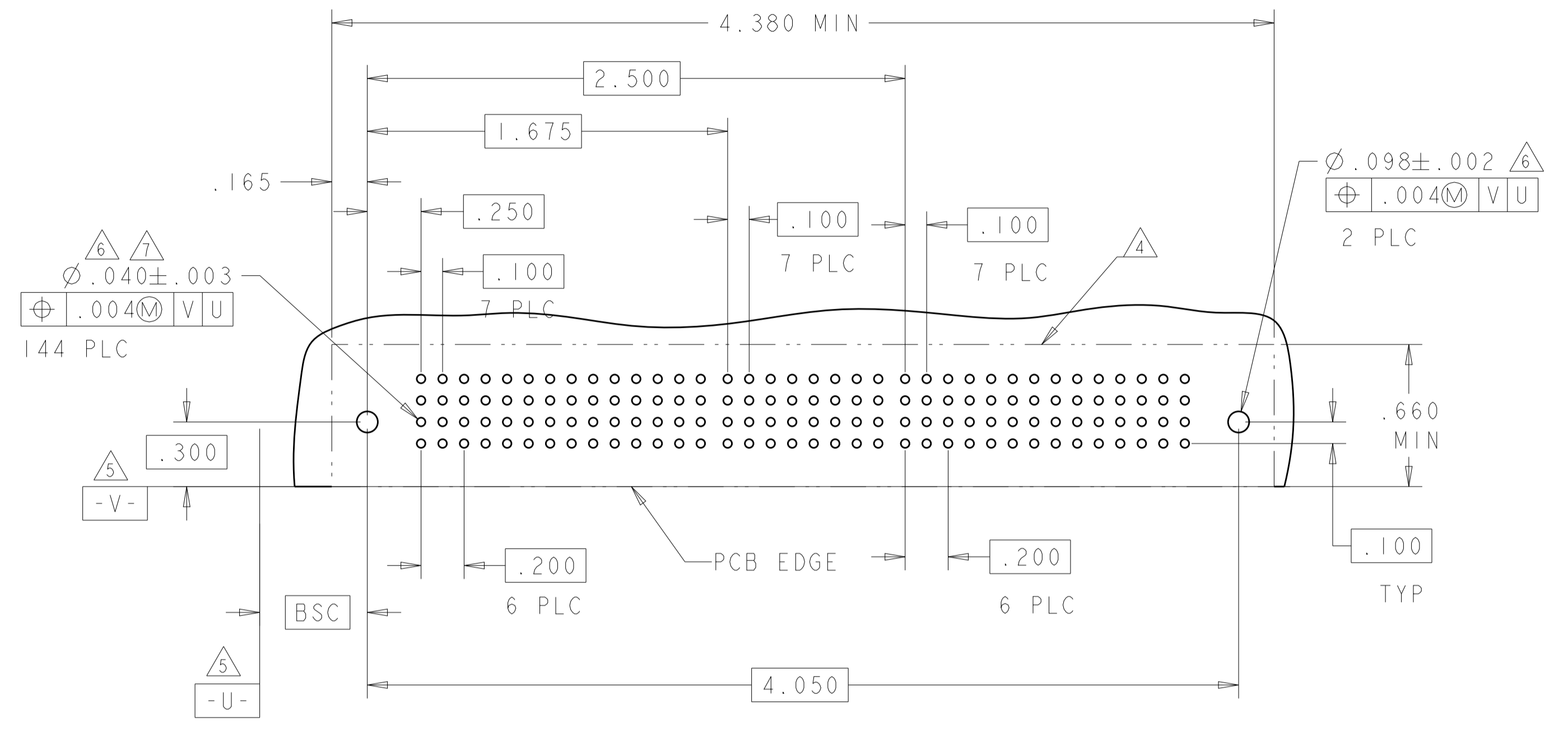
DIMENSIONS:	TOLERANCES UNLESS OTHERWISE SPECIFIED:	OWN: R. GRZYBOWSKI	02FEB05
INCHES:	0 PLC ± .01	CHK: M. PERCHERKE	02FEB05
	1 PLC ± .01	APPV: M. PERCHERKE	02FEB05
	2 PLC ± .01	PRODUCT SPEC:	
	3 PLC ± .01	NAME:	RIGHT ANGLE HEADER W/GUIDES ASSEMBLY
	4 PLC ± .005	APPLICATION SPEC:	MULTI-BEAM XL
	5 PLC ± .002	SIZE:	114-13038
	ANGLES ± .002	SCALE:	4:1
MATERIAL:	FINISH:	WEIGHT:	RESTRICTED TO

CUSTOMER DRAWING

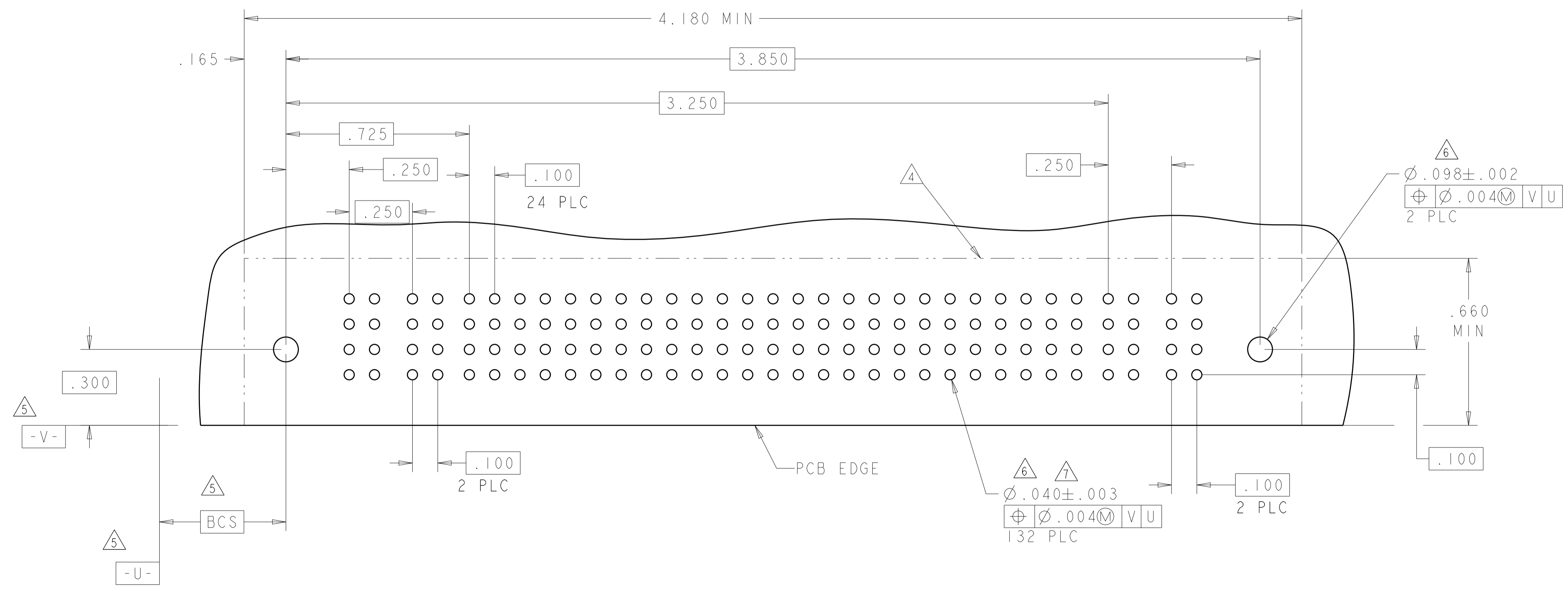
LOC	DIST	REV	DATE	BY	APPD
ES	00				

REVISIONS			
NO	DATE	DESCRIPTION	BY
-	-	SEE SHEET 1	-

PART NUMBER	ROWS	POWER							SIGNAL								POWER								
		P1	P2	P3	P4	P5	P6	P7	1	2	3	4	5	6	7	8	P8	P9	P10	P11	P12	P13	P14		
3-6450120-0	D	PM	PM	PM	PM	PM	PM	J	J	J	J	J	J	J	J	PM	PM	PM	PM	PM	PM				
	C							K	K	K	K	K	K	K	K							K	K		
	B							N	N	N	N	N	N	N	N							N	N	N	N
A	A	S	S	S	S	S	S	S	S	S	S	S	S	S	S	S	S	S	S	S	S	S	S		
7HDP + 32S + 7HDP																									



PART NUMBER	ROWS	POWER		SIGNAL																								POWER				
		P1	P2	1	2	3	4	5	6	7	8	9	10	11	12	13	14	15	16	17	18	19	20	21	22	23	24	25	P3	P4		
3-6450120-6	D	PM	PM	J	J	J	J	J	J	J	J	J	J	J	J	J	J	J	J	J	J	J	J	J	J	J	J	J	J	J	PM	PM
	C			K	K	K	K	K	K	K	K	K	K	K	K	K	K	K	K	K	K	K	K	K	K	K	K	K	K	K		
	B			N	N	N	N	N	N	N	N	N	N	N	N	N	N	N	N	N	N	N	N	N	N	N	N	N	N	N		
A	A	S	S	S	S	S	S	S	S	S	S	S	S	S	S	S	S	S	S	S	S	S	S	S	S	S	S	S	S	S		
2P + 100S + 2P																																



THIS DRAWING IS A CONTROLLED DOCUMENT.

DIMENSIONS: INCHES	TOLERANCES UNLESS OTHERWISE SPECIFIED:	0 PLC $\pm .01$	1 PLC $\pm .01$	2 PLC $\pm .01$	3 PLC $\pm .005$	4 PLC $\pm .002$	ANGLES $\pm .020$
--------------------	--	-----------------	-----------------	-----------------	------------------	------------------	-------------------

MATERIAL	FINISH	WEIGHT	REVISIONS
			108-1973

APPROVED: M. PERCHERKE

NAME: RIGHT ANGLE HEADER W/GUIDES ASSEMBLY MULTI-BEAM XL

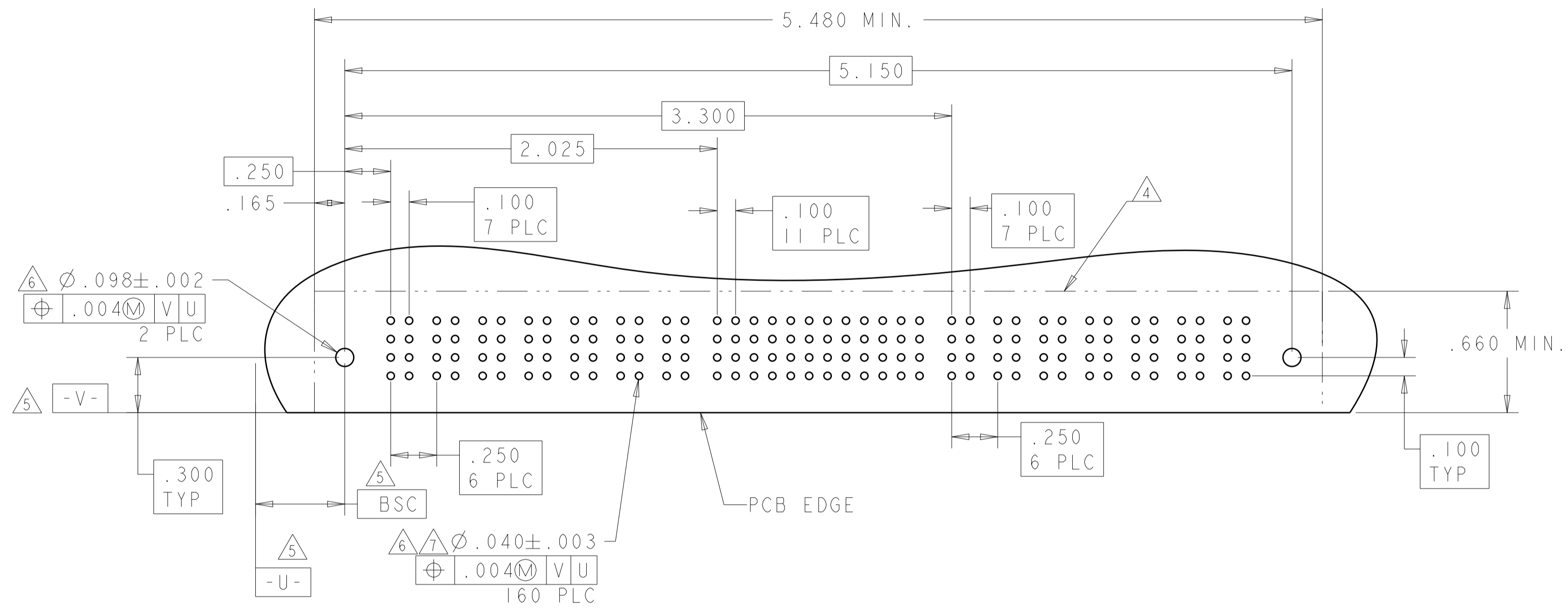
SIZE: A1 CAGE CODE: 6450120

SCALE: 4:1 SHEET: 9 OF 24

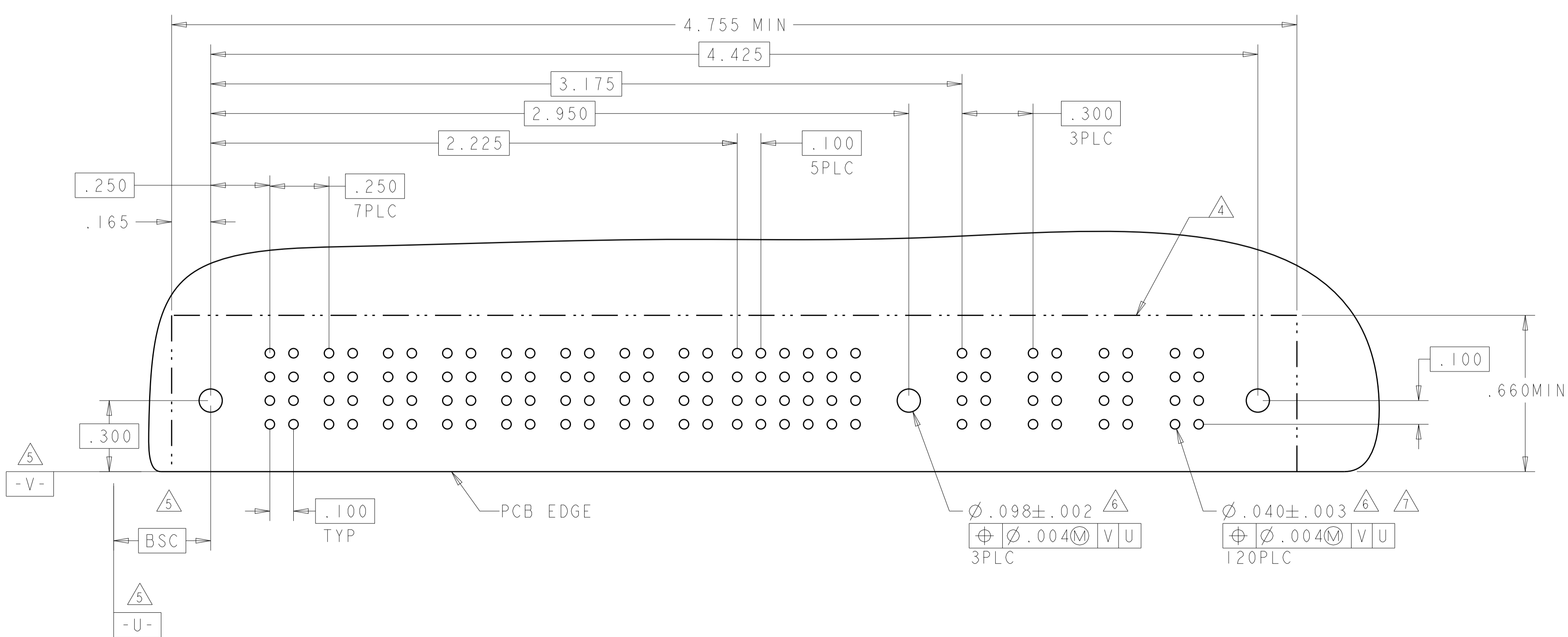
CUSTOMER DRAWING

LOC	DIST	REVISIONS			
P	LTN	DESCRIPTION	DATE	DMN	APVD
ES	00	SEE SHEET 1			

PART NUMBER	ROWS	POWER						SIGNAL												POWER																							
		P1	P2	P3	P4	P5	P6	P7	1	2	3	4	5	6	7	8	9	10	11	12	P8	P9	P10	P11	P12	P13	P14																
3-6450120-4	D C B A	PM	PM	PM	PM	PM	PM	J	J	J	J	J	J	J	J	J	J	J	J	J	J	J	J	J	J	J	J	J	J	PM	PM	PM	PM	PM	PM								
								K	K	K	K	K	K	K	K	K	K	K	K	K	K	K	K	K	K	K	K	K	K							K	K	K	K	K	K		
								N	N	N	N	N	N	N	N	N	N	N	N	N	N	N	N	N	N	N	N	N	N							N	N	N	N	N	N	N	N
								S	S	S	S	S	S	S	S	S	S	S	S	S	S	S	S	S	S	S	S	S	S							S	S	S	S	S	S	S	S
7P + 48S + 7P		HD		HD		HD		HD		HD		HD		HD		HD		HD		HD		HD		HD		HD		HD		HD													



PART NUMBER	ROWS	POWER								SIGNAL						POWER																												
		P1	P2	P3	P4	P5	P6	P7	P8	1	2	3	4	5	6	P9	P10	P11	P12																									
4-6450120-2	D C B A	PM	PM	PM	PM	PM	PM	PM	PM	J	J	J	J	J	J	J	J	J	J	J	J	J	J	J	J	J	J	J	J	J	J	J	J	PM	PM	PM	PM							
										K	K	K	K	K	K	K	K	K	K	K	K	K	K	K	K	K	K	K	K	K	K	K	K					K	K	K	K	K	K	
										N	N	N	N	N	N	N	N	N	N	N	N	N	N	N	N	N	N	N	N	N	N	N	N					N	N	N	N	N	N	N
										S	S	S	S	S	S	S	S	S	S	S	S	S	S	S	S	S	S	S	S	S	S	S	S					S	S	S	S	S	S	S
8P + 24S + 1M + 4ACP		HD		HD		HD		HD		HD		HD		HD		HD		HD		HD		HD		HD		HD		HD		HD														

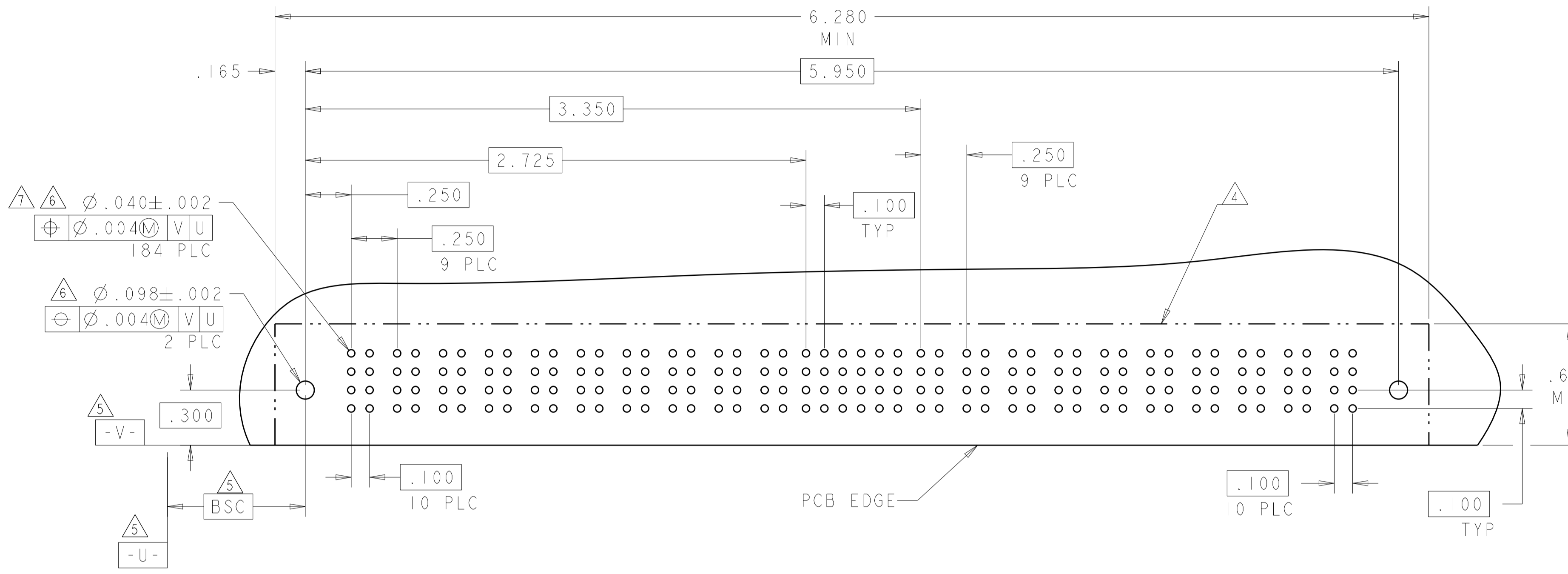


THIS DRAWING IS A CONTROLLED DOCUMENT.

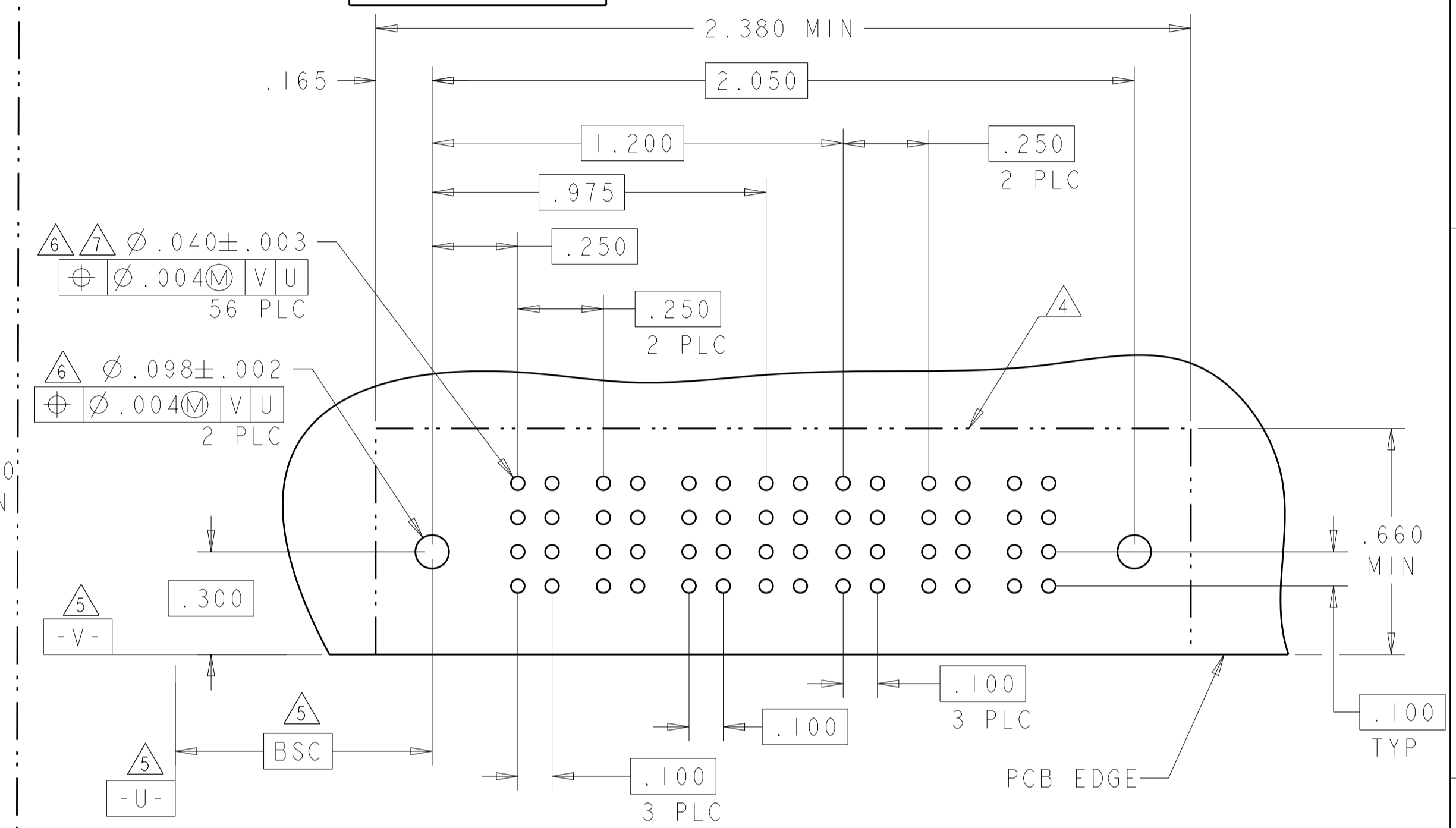
DMN: R. GRZYBOWSKI	02FEB05	 TE Connectivity
CHK: M. PERCHERKE	02FEB05	
APVD: M. PERCHERKE	02FEB05	NAME: RIGHT ANGLE HEADER W/GUIDES ASSEMBLY MULTI-BEAM XL
DIMENSIONS: INCHES		PRODUCT SPEC: 108-1973
TOLERANCES UNLESS OTHERWISE SPECIFIED:		APPLICATION SPEC: 114-13038
0 PLC ± .01	1 PLC ± .01	SIZE: A100779
2 PLC ± .01	3 PLC ± .01	CAGE CODE: C=6450120
4 PLC ± .005	5 PLC ± .005	DRAWING NO: 114-13038
6 PLC ± .002	ANGLES ± .020	RESTRICTED TO: -
MATERIAL: -		WEIGHT: -
FINISH: -		CUSTOMER DRAWING
SCALE: 4:1		SHEET 11 OF 24
REV: M2		

LOC	DIST	REVISIONS					
ES	00	P	LTN	DESCRIPTION	DATE	OWN	APVD
				SEE SHEET 1			

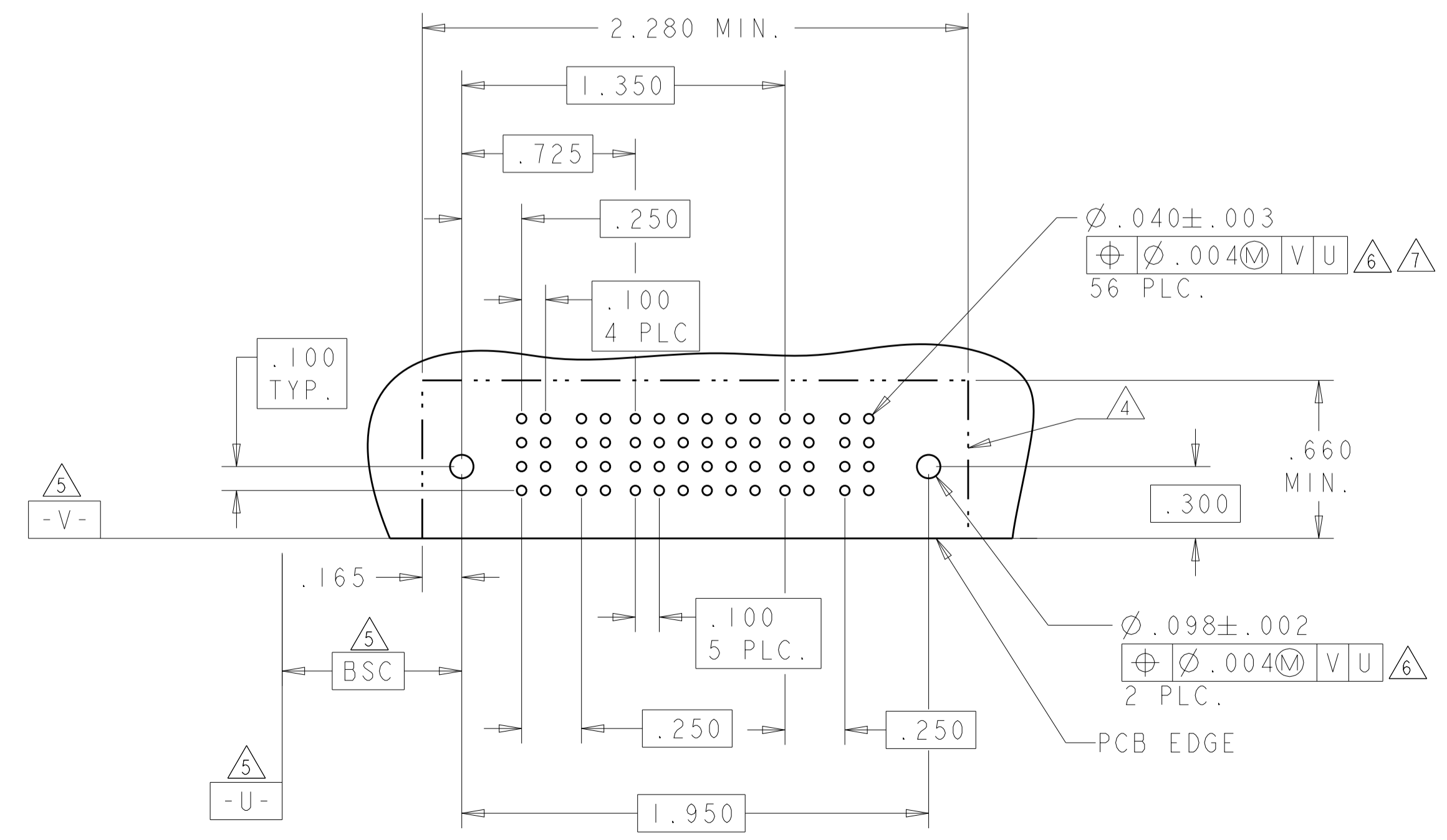
PART NUMBER	ROWS	POWER									SIGNAL						POWER									
		P1	P2	P3	P4	P5	P6	P7	P8	P9	P10	1	2	3	4	5	6	P11	P12	P13	P14	P15	P16	P17	P18	P19
4-6450120-5	D C B A	PM	PM	PM	PM	PM	PM	PM	PM	PM	J	J	J	J	J	J	PM	PM	PM	PM	PM	PM	PM	PM	PM	PM
											K	K	K	K	K	K										
											N	N	N	N	N	N										
		S		S		S		S		S		S		S												
10P + 24S + 10P		HD		HD		HD		HD		HD		HD		HD		HD		HD		HD		HD		HD		



PART NUMBER	ROWS	POWER			SIGNAL		POWER		
		P1	P2	P3	1	2	P4	P5	P6
4-6450120-6	D C B A	PM	PM	PM	J	J	PM	PM	PM
					K	K			
					N	N			
		S		S					
3P + 8S + 3P		HD		HD		HD		HD	



PART NUMBER	ROWS	POWER		SIGNAL						POWER	
		P1	P2	1	2	3	4	5	6	P3	P4
4-6450120-7	D C B A	PM	PM	J	J	J	J	J	J	PM	PM
				K	K	F	K	K	K		
				N	N	G	N	N	N		
		S		S		S		S			
2P + 24S + 2P		HD		HD		HD		HD		HD	



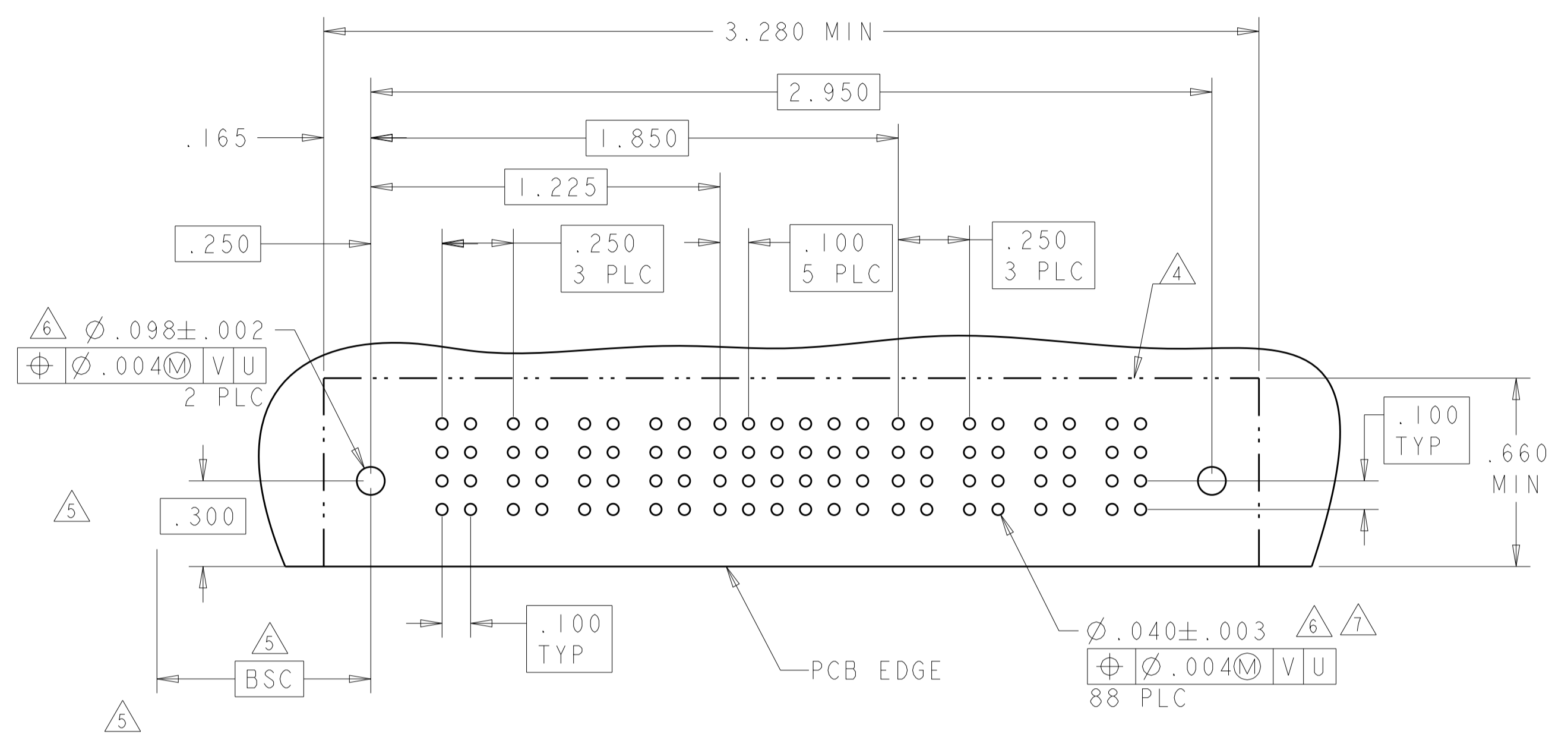
THIS DRAWING IS A CONTROLLED DOCUMENT.

DIMENSIONS:	TOLERANCES UNLESS OTHERWISE SPECIFIED:	OWN: R. GRZYBOWSKI 02FEB05	CHK: M. PERCHERKE 02FEB05	APVD: M. PERCHERKE 02FEB05	NAME: RIGHT ANGLE HEADER W/GUIDES ASSEMBLY MULTI-BEAM XL
INCHES	0 PLC ± .01 1 PLC ± .01 2 PLC ± .01 3 PLC ± .01 4 PLC ± .005 ANGLES ± .002	PRODUCT SPEC: 108-1973	APPLICATION SPEC: 114-13038	WEIGHT: -	RESTRICTED TO: -
MATERIAL: -	FINISH: -	SIZE: A1	CAGE CODE: 100779	DRAWING NO: C=6450120	SCALE: 4:1
CUSTOMER DRAWING		SHEET 13 OF 24		REV M2	

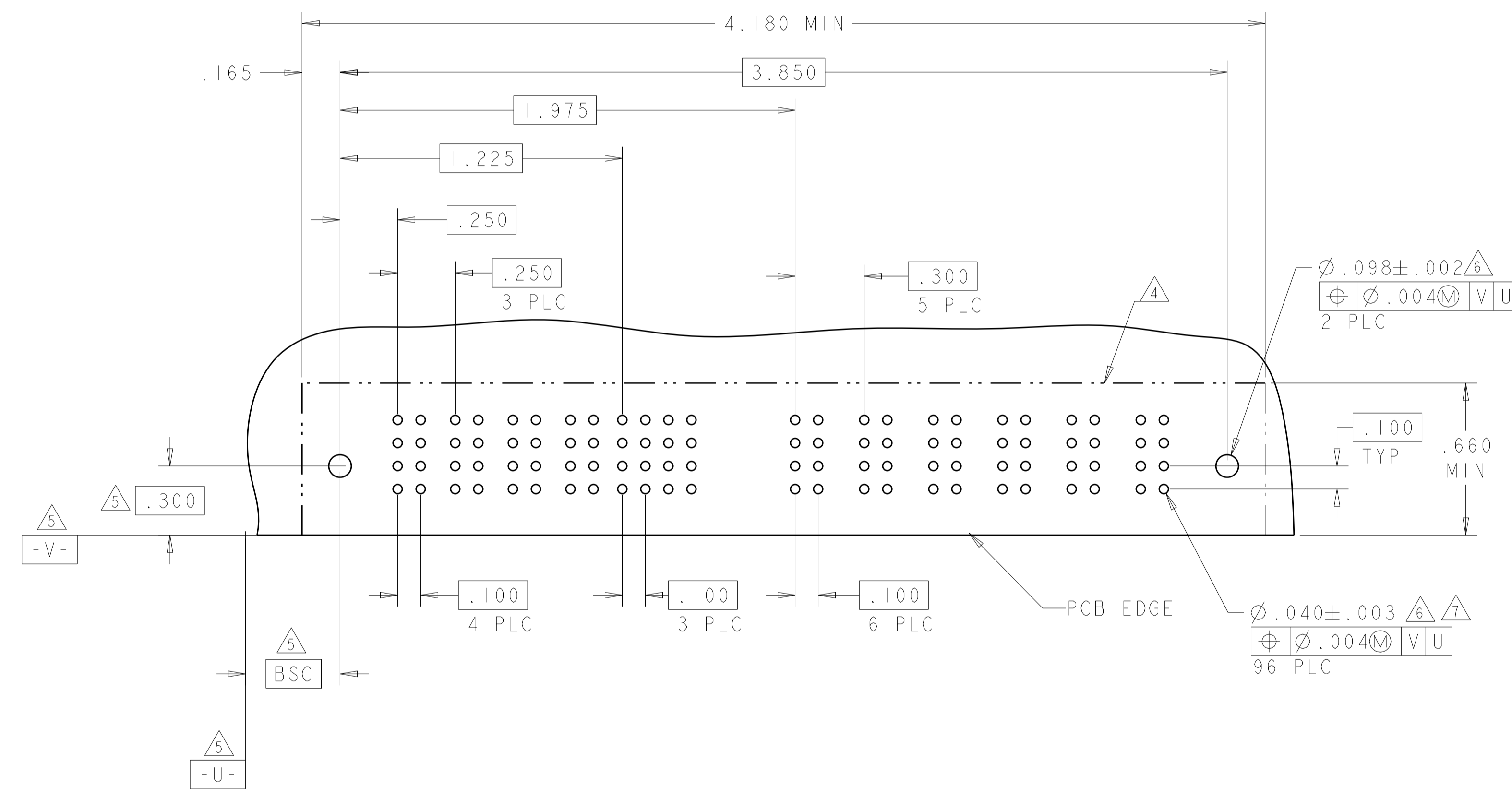
STE TE Connectivity

LOC	DIST	REVISIONS			
P	LTN	DESCRIPTION	DATE	DMN	APVD
-	-	SEE SHEET 1	-	-	-

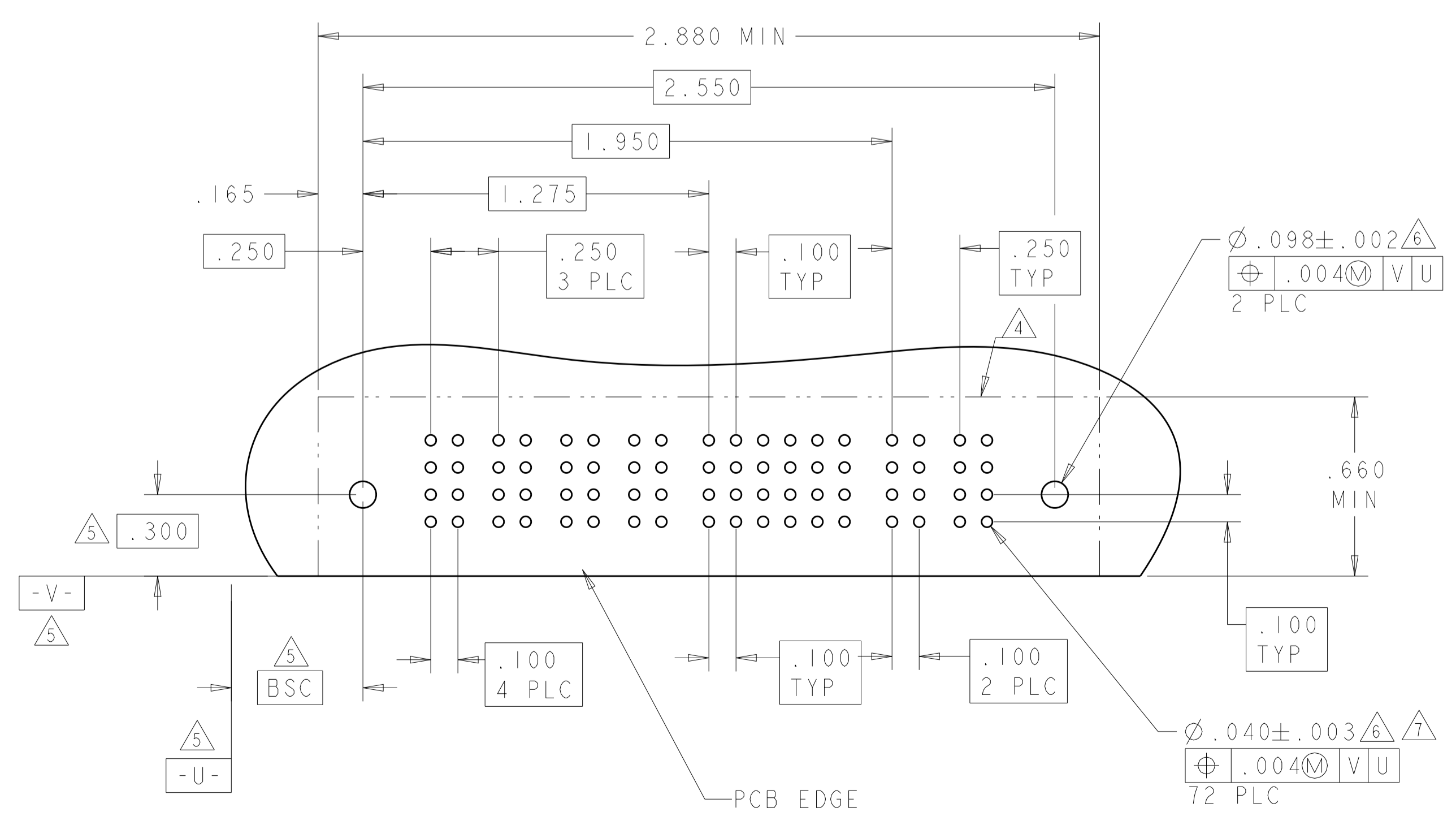
PART NUMBER	ROWS	POWER				SIGNAL						POWER			
		P1	P2	P3	P4	1	2	3	4	5	6	P5	P6	P7	P8
4-6450120-8	D	PM	PM	PM	PM	J	J	J	J	J	J	PM	PM	PM	PM
	C					K	K	K	K	K					
	B					N	N	N	N	N					
	A					S	S	S	S	S					
4P + 24S + 4P															



PART NUMBER	ROWS	POWER				SIGNAL				POWER						
		P1	P2	P3	P4	1	2	3	4	P5	P6	P7	P8	P9	P10	P11
5-6450120-0	D	PM	PM	PM	PM	J	J	J	J	PM	PM	PM	PM	PM	PM	
	C					K	K	K	K							
	B					N	N	N	N							
	A					S	S	S	S							
4P + 16S + 7ACP																



PART NUMBER	ROWS	POWER				SIGNAL						POWER	
		P1	P2	P3	P4	1	2	3	4	5	6	P5	P6
2-6450120-5	D	PM	PM	PM	PM	J	J	J	J	J	J	PM	PM
	C					K	K	K	K	K			
	B					N	N	N	N	N			
	A					S	S	S	S	S			
4P + 24S + 2P													



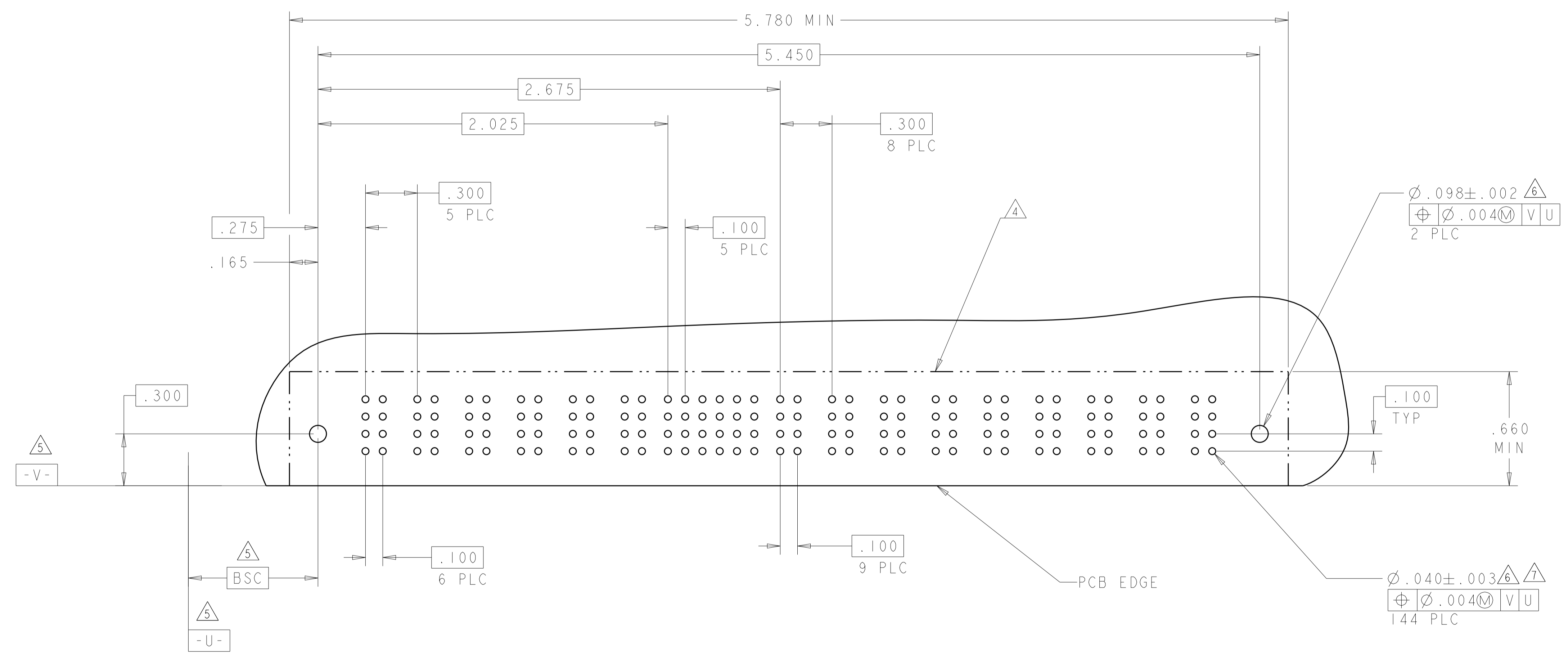
THIS DRAWING IS A CONTROLLED DOCUMENT.

DIMENSIONS: INCHES	TOLERANCES UNLESS OTHERWISE SPECIFIED:	DMN: R. GRZYBOWSKI 02FEB05	CHK: M. PERCHERKE 02FEB05	APVD: M. PERCHERKE 02FEB05	NAME: RIGHT ANGLE HEADER W/GUIDES ASSEMBLY MULTI-BEAM XL
MATERIAL: -	FINISH: -	PRODUCT SPEC: 108-1973	APPLICATION SPEC: 114-13038	WEIGHT: -	SIZE: A100779
CUSTOMER DRAWING		SCALE: 4:1		SHEET 14 OF 24	

STE TE Connectivity

LOC		DIST		REVISIONS			
P	LTN	DESCRIPTION	DATE	DMN	APVD		
-	-	SEE SHEET 1	-	-	-		

PART NUMBER	ROWS	POWER						SIGNAL						POWER										
		P1	P2	P3	P4	P5	P6	1	2	3	4	5	6	P7	P8	P9	P10	P11	P12	P13	P14	P15		
5-6450120-2	D C B A	[HD]	[]	[PM]	[PM]	[PM]	[]	[PM]	J	J	[]	J	E	[]	[]	[PM]	[PM]	[PM]	[]	[PM]	[PM]	[PM]	[]	[HD]
			[]	[]	[]	[]	[]	[]	K	K	[]	K	K	[]	[]	[]	[]	[]	[]	[]	[]	[]		
			[]	[]	[]	[]	[]	[]	N	N	[]	N	N	[]	[]	[]	[]	[]	[]	[]	[]	[]		
			[]	[]	[]	[]	[]	[]	S	S	[]	S	H	[]	[]	[]	[]	[]	[]	[]	[]	[]		
6P + 24S + 9P																								



THIS DRAWING IS A CONTROLLED DOCUMENT.

DIMENSIONS: INCHES	TOLERANCES UNLESS OTHERWISE SPECIFIED: 0 PLC ±. 1 PLC ±.01 2 PLC ±.01 3 PLC ±.005 4 PLC ±.0020 ANGLES ±.02°	FINISH	DMN R. GRZYBOWSKI CHK M. PERCHERKE APVD M. PERCHERKE	02FEB05 02FEB05 02FEB05	NAME RIGHT ANGLE HEADER W/GUIDES ASSEMBLY MULTI-BEAM XL
MATERIAL			PRODUCT SPEC 108-1973	APPLICATION SPEC 114-13038	RESTRICTED TO
			WEIGHT	SCALE 4:1	SHEET 16 OF 24
			CUSTOMER DRAWING	REV M2	

4805 (3/11)

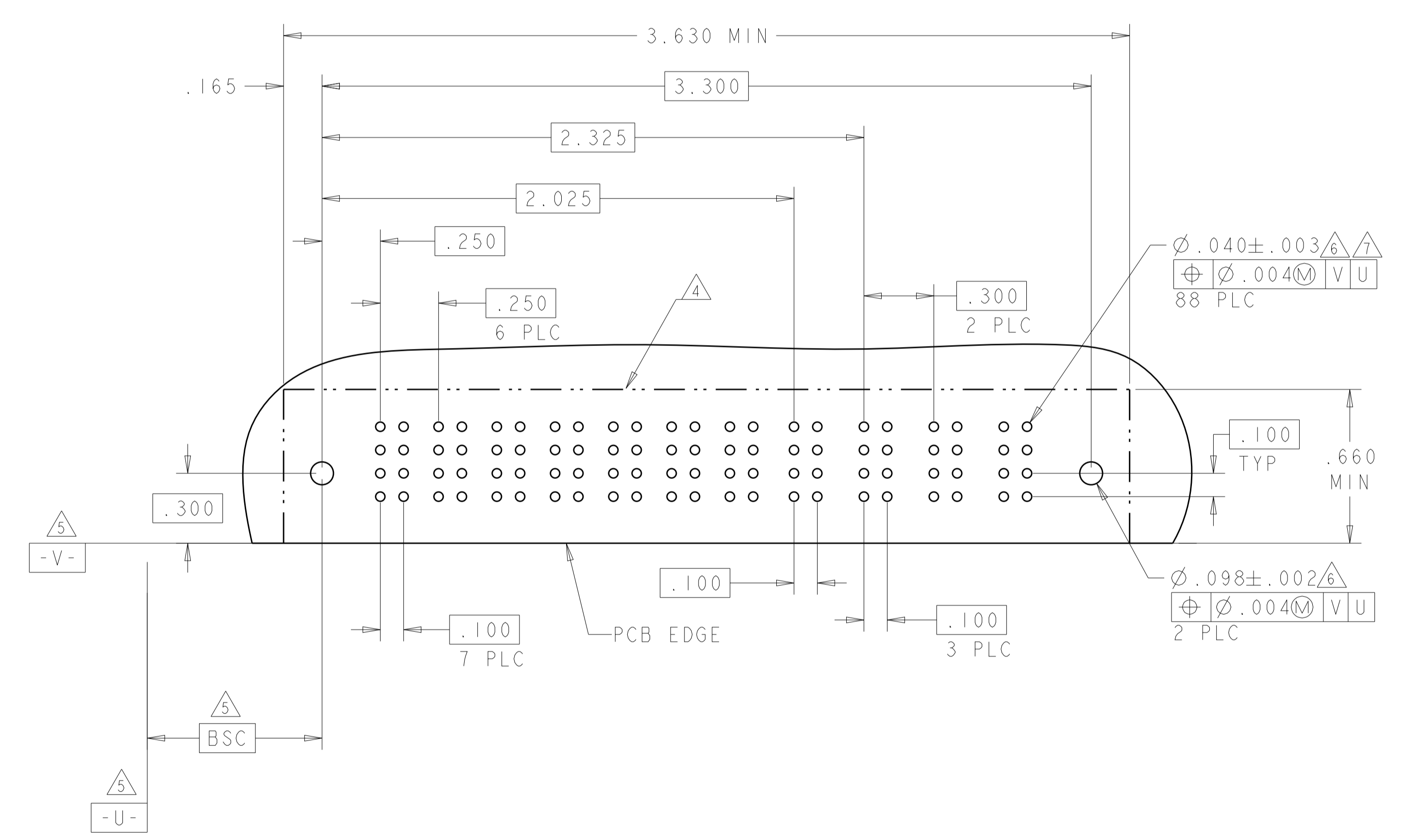
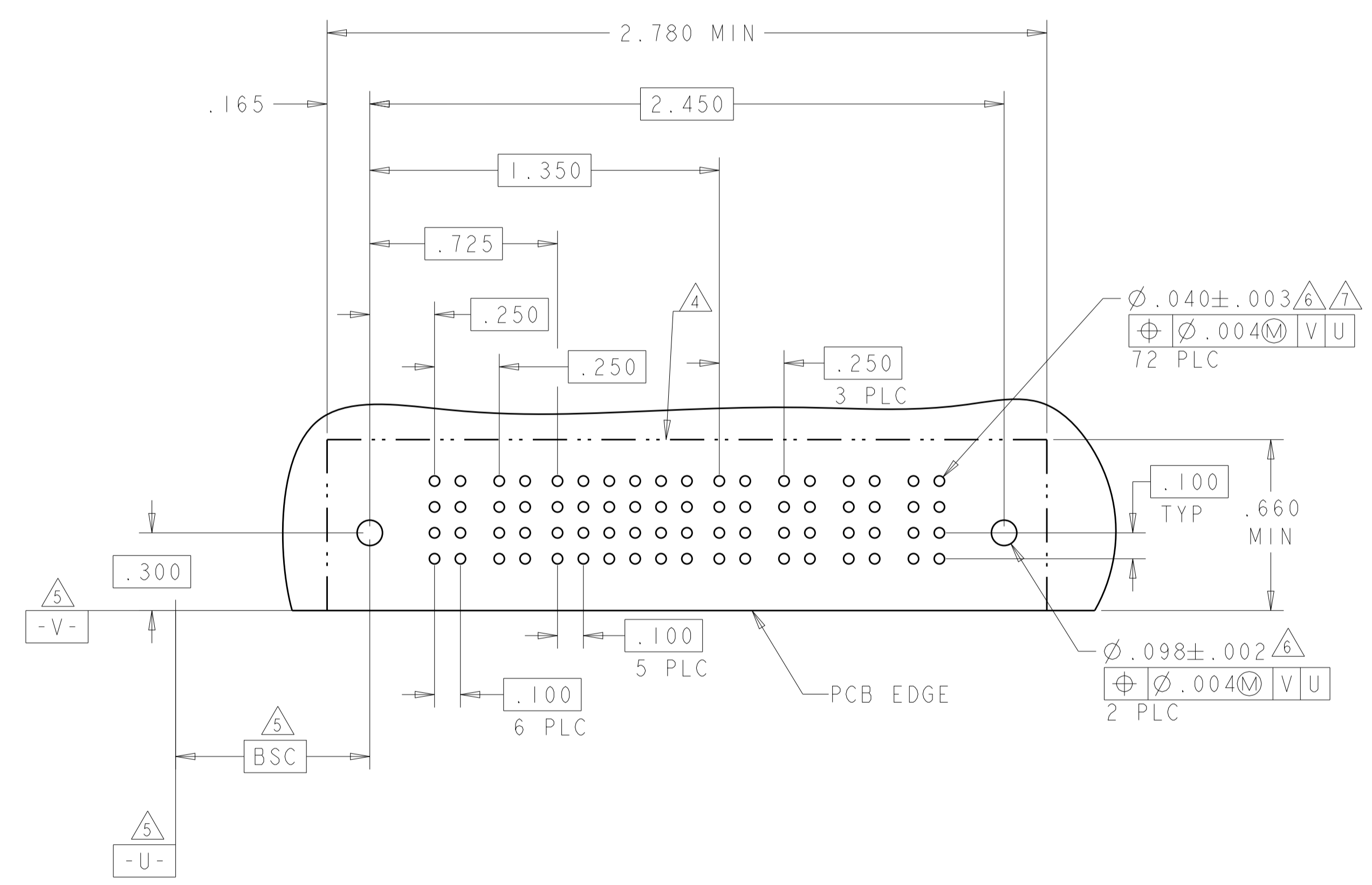
LOC	DIST	REVISIONS			
P	LTN	DESCRIPTION	DATE	DMN	APVD
ES	00	SEE SHEET 1			

PART NUMBER	ROWS	POWER		SIGNAL						POWER			
		P1	P2	1	2	3	4	5	6	P3	P4	P5	P6
5-6450120-3	D	PM	PM	J	J	J	J	J	J	PM	PM	PM	PM
	C			K	K	K	K	K	K				
	B			N	N	N	N	N	N				
	A			S	S	S	S	S	S				

2P + 24S + 4P

PART NUMBER	ROWS	POWER							SIGNAL		POWER		
		P1	P2	P3	P4	P5	P6	P7	I	J	P8	P9	P10
5-6450120-5	D	PM	PM	PM	PM	PM	PM	PM	J	J	PM	PM	PM
	C								K	K			
	B								N	N			
	A								S	S			

7P + 8S + 3ACP



THIS DRAWING IS A CONTROLLED DOCUMENT.

DIMENSIONS: INCHES	TOLERANCES UNLESS OTHERWISE SPECIFIED: 0 PLC ±. 2 PLC ±.01 3 PLC ±.005 4 PLC ±.0020 ANGLES ±.7°	FINISH	OWN: R. GRZYBOWSKI 02FEB05 CHK: M. PERCHERKE 02FEB05 APVD: M. PERCHERKE 02FEB05	NAME: RIGHT ANGLE HEADER W/GUIDES ASSEMBLY MULTI-BEAM XL
MATERIAL	FINISH	WEIGHT	PRODUCT SPEC: 108-1973 APPLICATION SPEC: 114-13038	RESTRICTED TO: -
CUSTOMER DRAWING			SCALE: 4:1	SHEET 17 OF 24 REV: M2

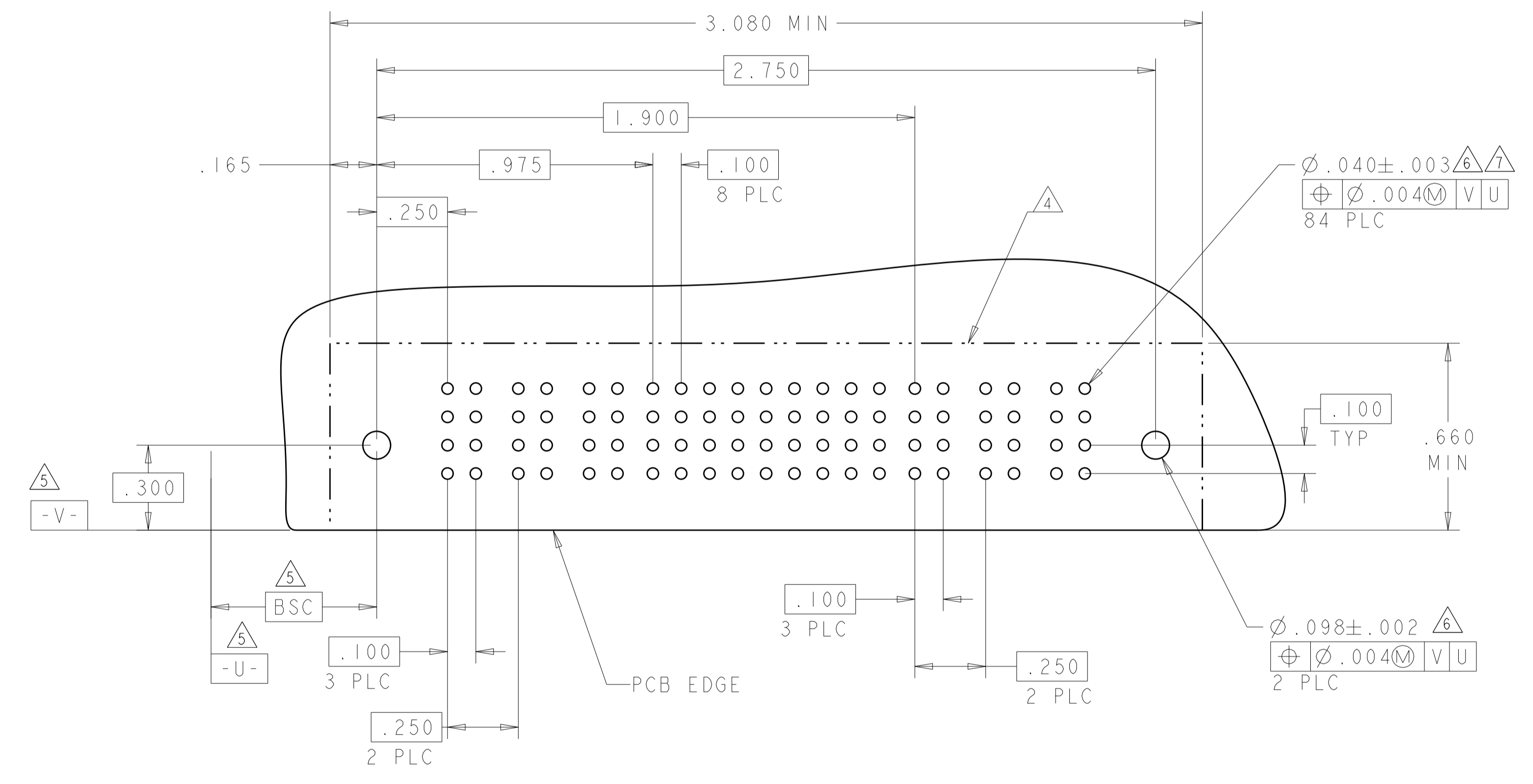
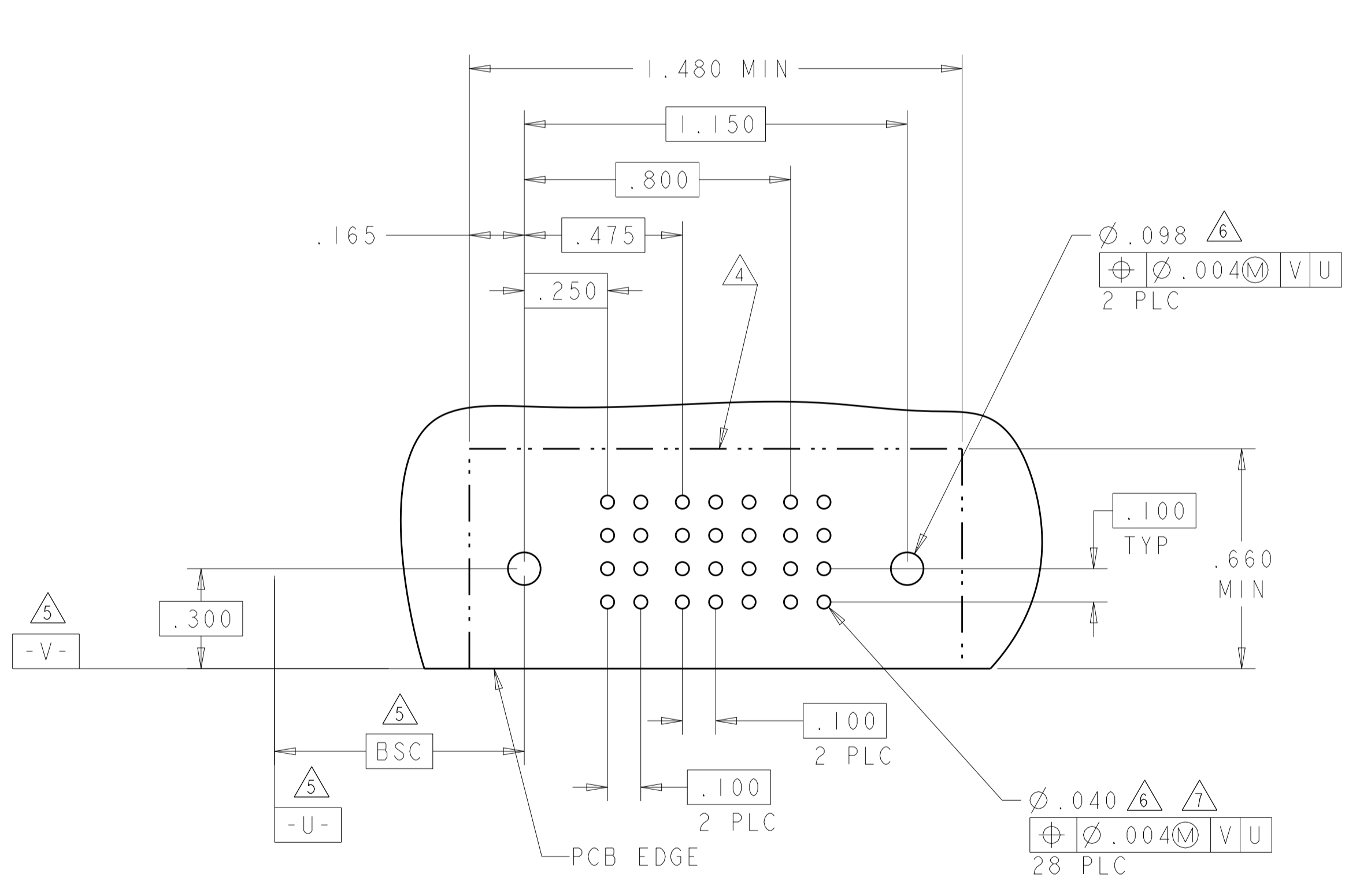
4805 (3/11)

LOC		DIST		REVISIONS			
ES	00	P	LTN	DESCRIPTION	DATE	DMN	APVD
				SEE SHEET 1			

PART NUMBER	ROWS	POWER		SIGNAL			POWER	
		P1	P2	1	2	3	P3	P4
6-6450120-9	D	PM	HD	J	J	E	PM	HD
	C			K	K	K		
	B			N	N	N		
	A			H	S	S		
IP + 12S + IP								

PART NUMBER	ROWS	POWER			SIGNAL									POWER							
		P1	P2	P3	1	2	3	4	5	6	7	8	9	P4	P5	P6					
5-6450120-7	D	PM	HD	PM	J	J	J	J	J	J	J	J	J	J	J	J	PM	PM	PM	HD	
	C				K	K	K	K	K	K	K	K	K	K	K	K					
	B				N	N	N	N	N	N	N	N	N	N	N	N					N
	A				S	S	S	S	S	S	S	S	S	S	S	S					S
3P + 36S + 3P																					

PART NUMBER	ROWS	POWER		SIGNAL			POWER	
		P1	P2	1	2	3	P3	P4
5-6450120-6	D	PM	HD	J	J	J	PM	HD
	C			K	K	K		
	B			N	N	N		
	A			S	S	S		
IP + 12S + IP								



THIS DRAWING IS A CONTROLLED DOCUMENT.

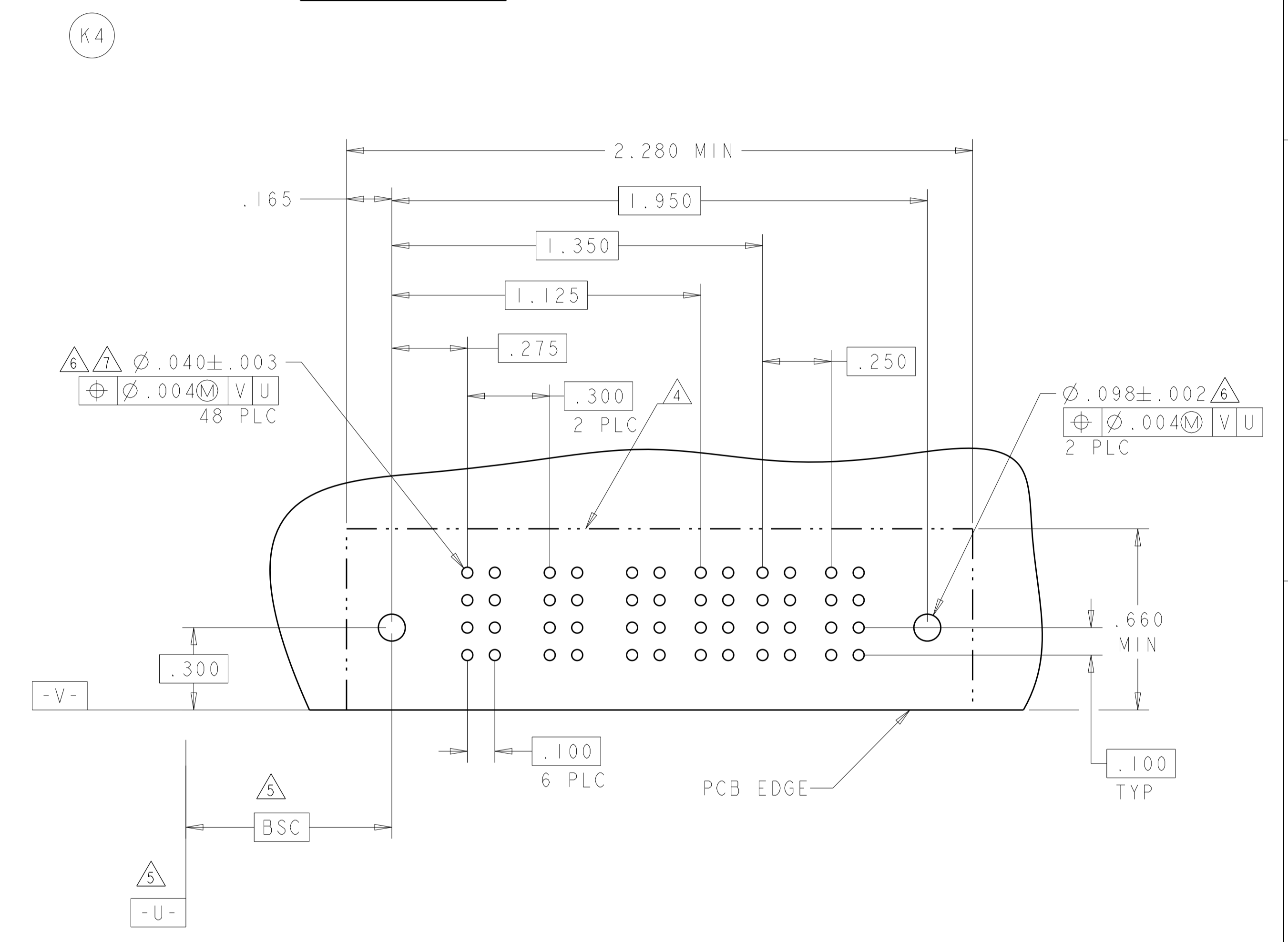
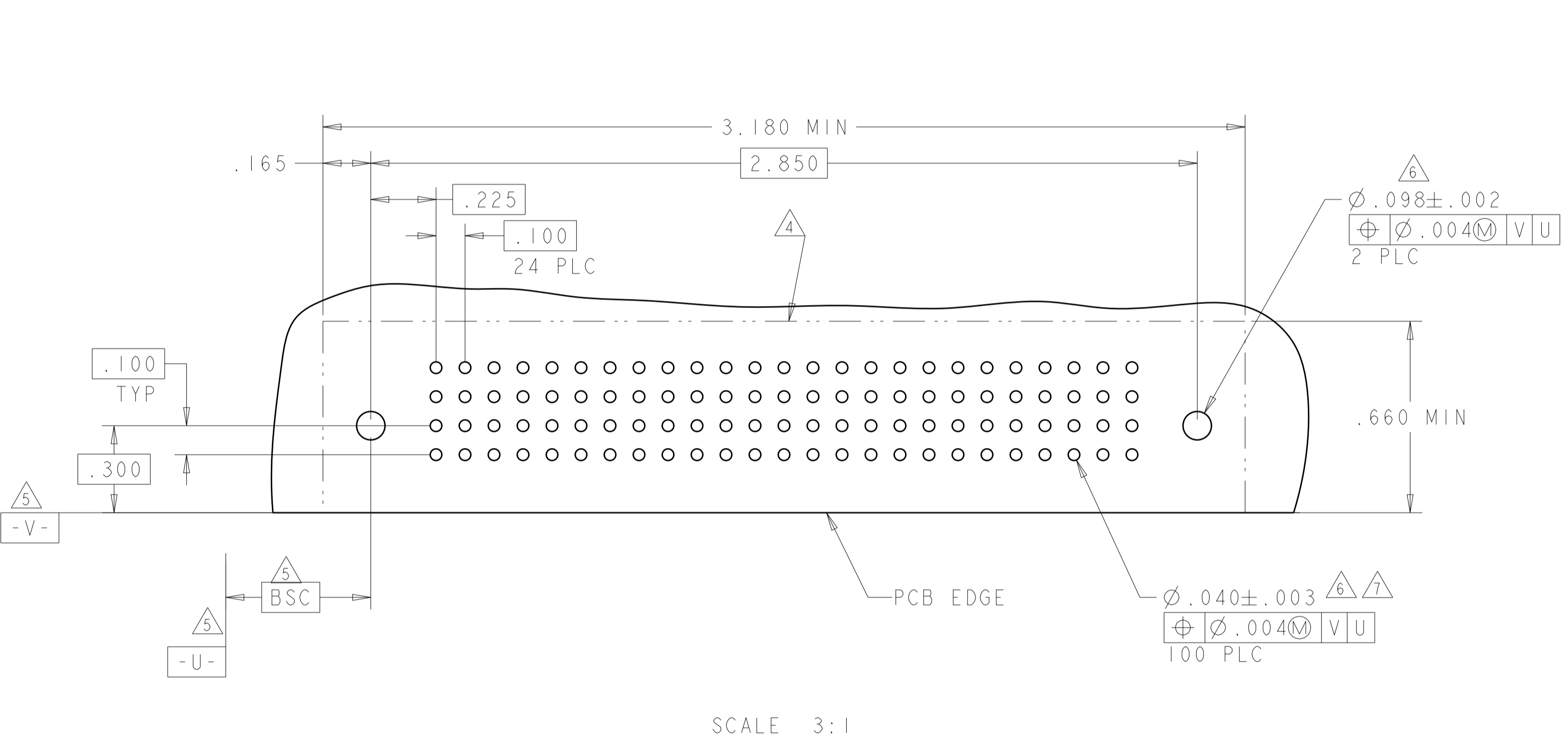
DIMENSIONS: INCHES	TOLERANCES UNLESS OTHERWISE SPECIFIED: 0 PLC ±. 1 PLC ±.01 2 PLC ±.005 3 PLC ±.0020 4 PLC ±.0020 ANGLES ±.2°	FINISH	DMN: R. GRZYBOWSKI 02FEB05 CHK: M. PERCHERKE 02FEB05 APVD: M. PERCHERKE 02FEB05	NAME: RIGHT ANGLE HEADER W/GUIDES ASSEMBLY MULTI-BEAM XL
MATERIAL	FINISH	WEIGHT	SIZE: 108-1973 APPLICATION SPEC: 114-13038 CAGE CODE: 6450120	RESTRICTED TO: -
CUSTOMER DRAWING			SCALE: 4:1	SHEET 18 OF 24

4805 (3/11)

LOC	DIST	REV	DATE	BY	APPV
ES	00				
REVISIONS			DESCRIPTION	DATE	BY
			SEE SHEET 1		

PART NUMBER	ROWS	SIGNAL																								
		1	2	3	4	5	6	7	8	9	10	11	12	13	14	15	16	17	18	19	20	21	22	23	24	25
5-6450120-8	D	J	J	J	J	J	J	J	J	J	J	J	J	J	J	J	J	J	J	J	J	J	J	J	J	J
	C	K	K	K	K	K	K	K	K	K	K	K	K	K	K	K	K	K	K	K	K	K	K	K	K	K
	B	N	N	N	N	N	N	N	N	N	N	N	N	N	N	N	N	N	N	N	N	N	N	N	N	N
A	S	S	S	S	S	S	S	S	S	S	S	S	S	S	S	S	S	S	S	S	S	S	S	S	S	
100S		HD																								HD

PART NUMBER	ROWS	POWER			SIGNAL		POWER	
		P1	P2	P3	1	2	P4	P5
5-6450120-9	D	PM	PM	PM	J	J	PM	PM
	C				K	K		
	B				N	N		
A				H	S			
3ACP + 8S + 2P		HD				HD		



THIS DRAWING IS A CONTROLLED DOCUMENT.

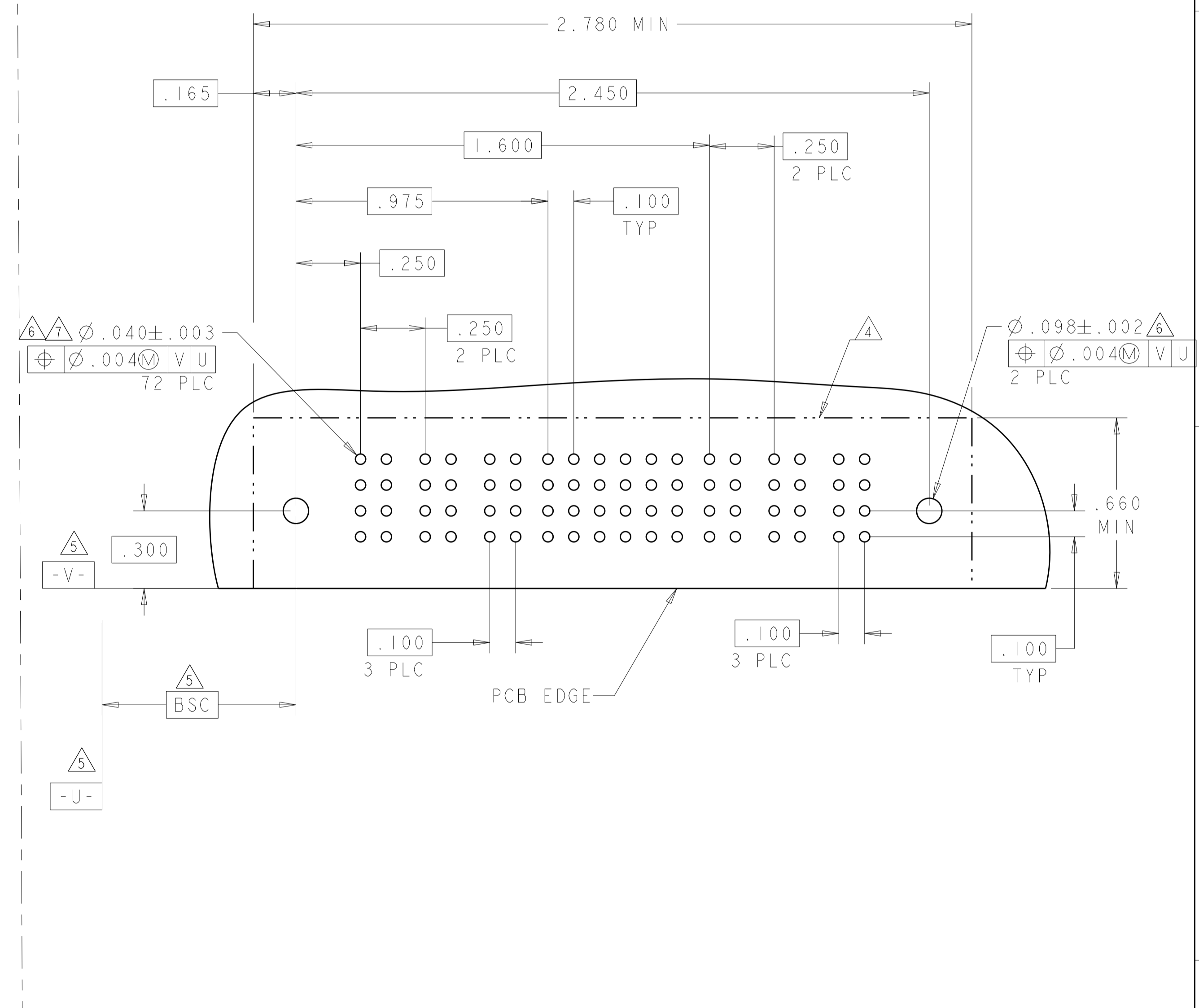
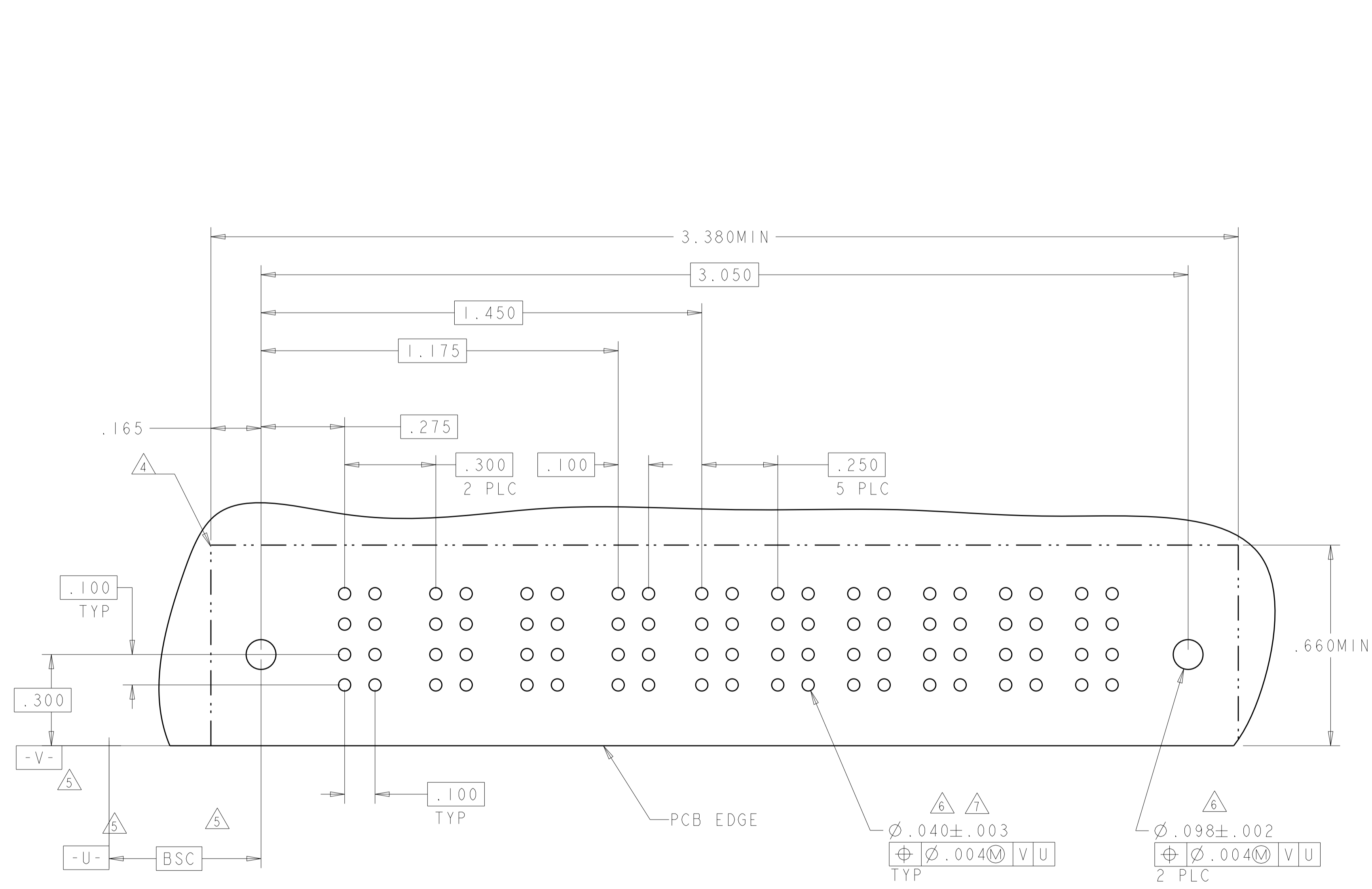
DIMENSIONS:	TOLERANCES UNLESS OTHERWISE SPECIFIED:	OWN: R. GRZYBOWSKI 02FEB05	CHK: M. PERCHERKE 02FEB05	APV: M. PERCHERKE 02FEB05	NAME: R. GRZYBOWSKI
INCHES	0 PLC ± .01 2 PLC ± .01 3 PLC ± .01 4 PLC ± .005 ANGLES ± .0020	PRODUCT SPEC: 108-1973	APPLICATION SPEC: 114-13038	WEIGHT: -	RESTRICTED TO: -
MATERIAL: -	FINISH: -	SIZE: A1	CAGE CODE: 6450120	SCALE: 4:1	SHEET 19 OF 24
CUSTOMER DRAWING		TE Connectivity			REV: M2

LOC	DIST	REV	DATE	BY	APPV
ES	00				

REVISIONS			
REV	DATE	BY	APPV
-	-	-	-
SEE SHEET 1			

PART NUMBER	ROWS	POWER			SIGNAL		POWER					
		P1	P2	P3	1	2	P4	P5	P6	P7	P8	P9
6-6450120-0	D C B A	PM	PM	PM	J	J	PM	PM	PM	PM	PM	PM
					K	K						
					N	N						
					H	S						
3ACP + 8S + 6P												

PART NUMBER	ROWS	POWER			SIGNAL						POWER		
		P1	P2	P3	1	2	3	4	5	6	P4	P5	P6
6-6450120-1	D C B A	PM	PM	PM	J	J	J	J	J	J	PM	PM	PM
					K	K	F	F	K	K			
					N	N	G	G	N	N			
					S	S	S	S	S	S			
3P + 24S + 3P													



THIS DRAWING IS A CONTROLLED DOCUMENT.		OWN R. GRZYBOWSKI	02FEB05	TE Connectivity
DIMENSIONS: INCHES		CHK M. PERCHERKE	02FEB05	
TOLERANCES UNLESS OTHERWISE SPECIFIED: 0 PLC ± 1 PLC ±.01 2 PLC ±.005 3 PLC ±.0020 4 PLC ±.0020 ANGLES ±.2°		APV M. PERCHERKE	02FEB05	NAME RIGHT ANGLE HEADER W/GUIDES ASSEMBLY MULTI-BEAM XL
MATERIAL		PRODUCT SPEC	108-1973	SIZE
FINISH		APPLICATION SPEC	114-13038	CAGE CODE
		WEIGHT		DRAWING NO
		CUSTOMER DRAWING	A100779	DRAWING NO
		SCALE	4:1	SHEET
			20	OF
			24	REV
			M2	

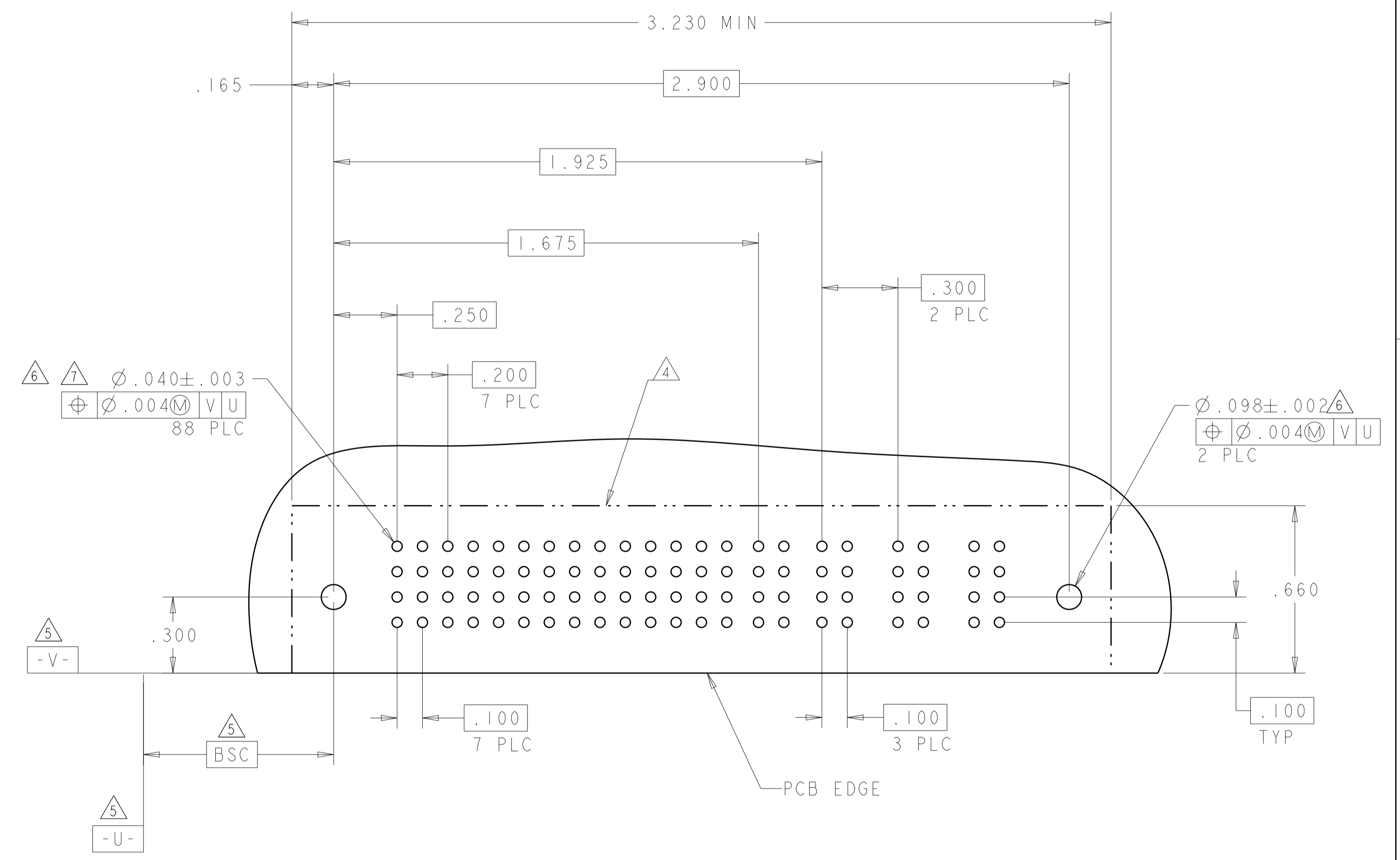
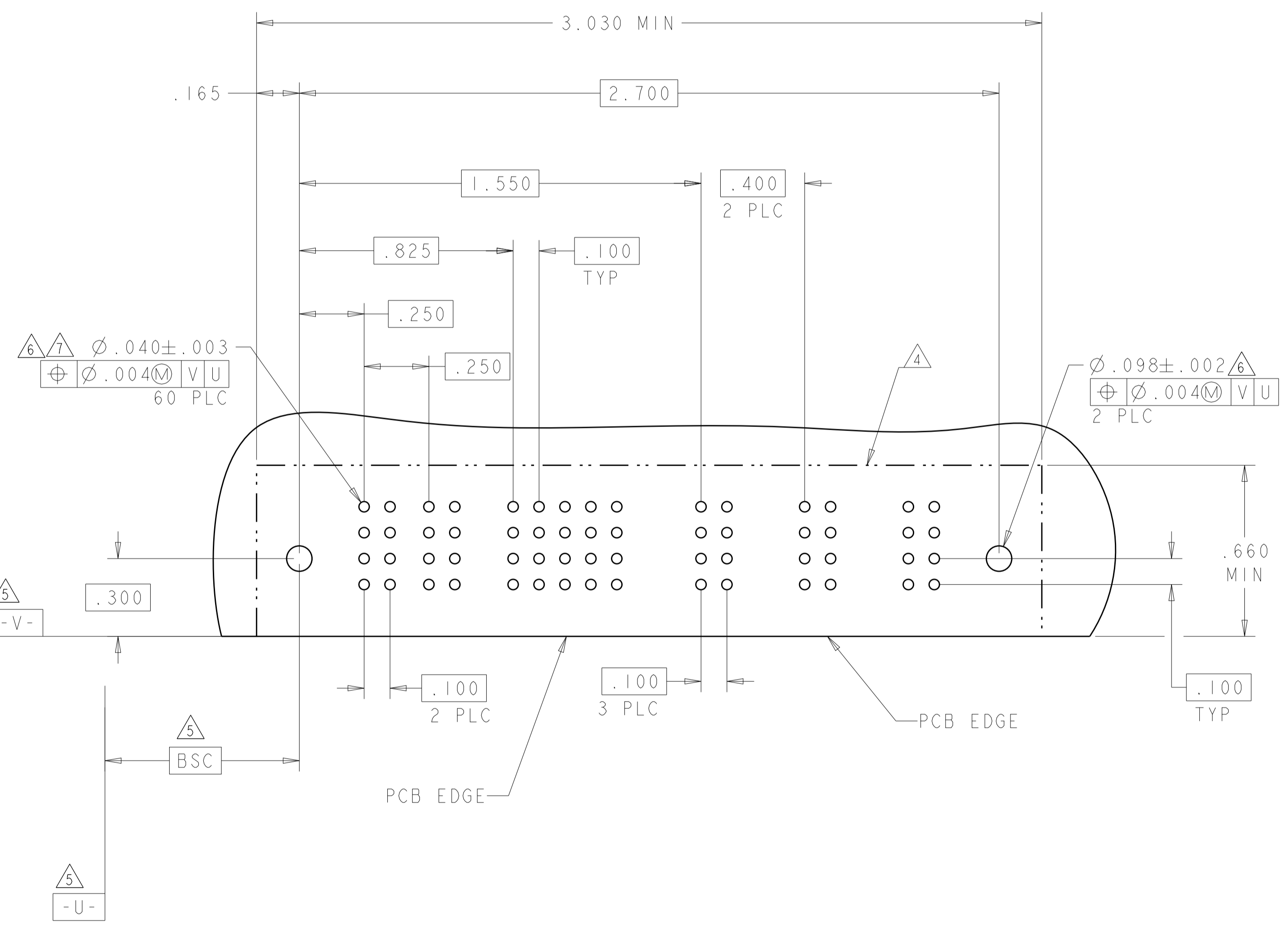
LOC	DIST	REV	DATE	BY	APPV
ES	00				
REVISIONS			DESCRIPTION	DATE	BY
			SEE SHEET 1		

PART NUMBER	ROWS	POWER		SIGNAL						POWER					
		P1	P2	1	2	3	4	5	6	P3	P4	P5	P6	P7	P8
6-6450120-6	D C B A	PM	PM	J	J	J	J	J	J	PM	PM	PM	PM	PM	PM
				K	K	K	K	K							
				N	N	N	N	N							
2P + 24S + 6P				S	S	S	S	S							

NO CONTACTS LOADED

PART NUMBER	ROWS	POWER							SIGNAL		POWER		
		P1	P2	P3	P4	P5	P6	P7	1	2	P8	P9	P10
6-6450120-7	D C B A	PM	PM	PM	PM	PM	PM	PM	E	E	PM	PM	PM
									F	F			
									G	G			
									H	H			
7HDP + 8S + 3ACP													

(L5)



THIS DRAWING IS A CONTROLLED DOCUMENT.

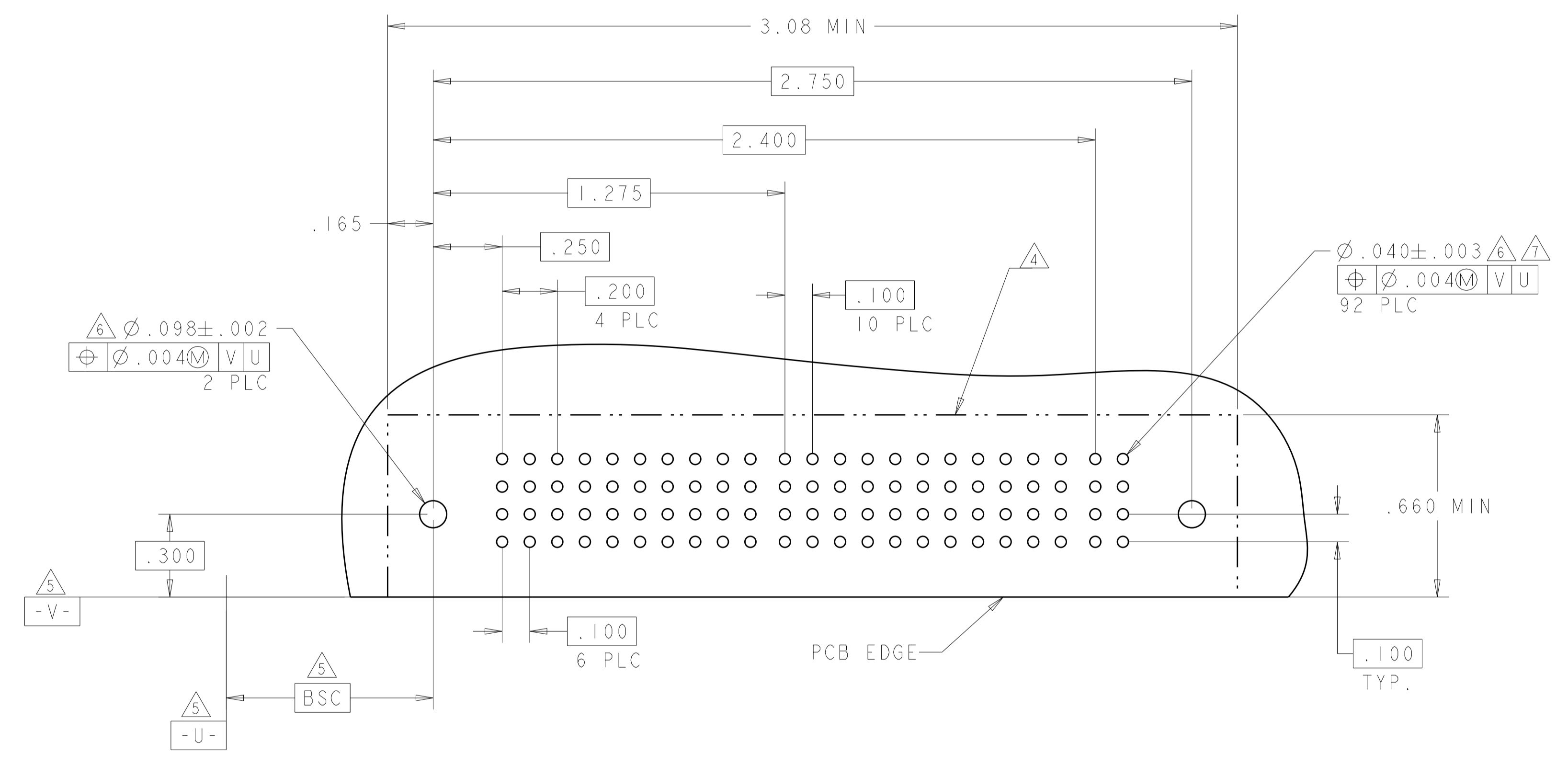
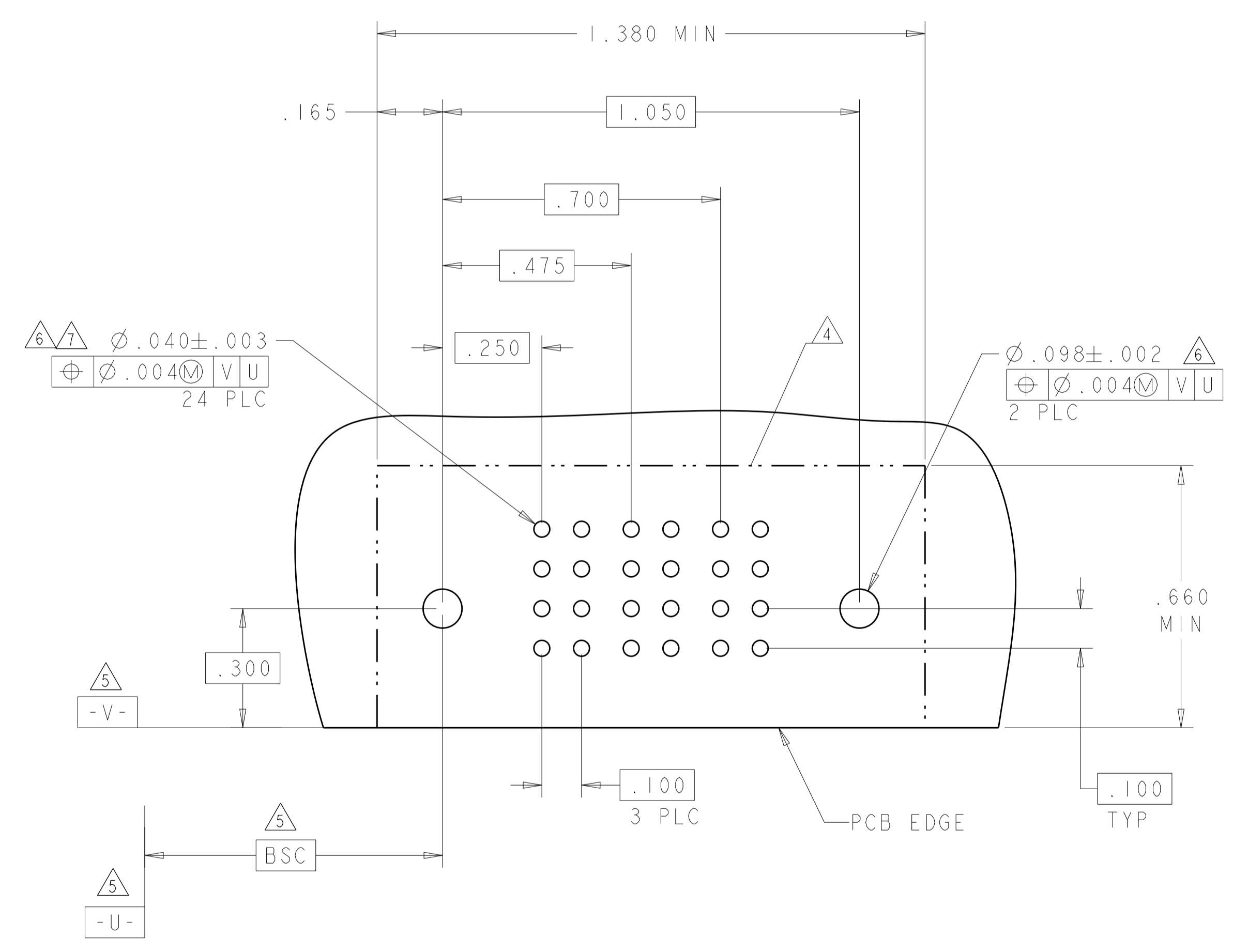
DIMENSIONS:	TOLERANCES UNLESS OTHERWISE SPECIFIED:	OWN: R. GRZYBOWSKI 02FEB05	CHK: M. PERCHERKE 02FEB05	APVD: M. PERCHERKE 02FEB05	NAME: RIGHT ANGLE HEADER W/GUIDES ASSEMBLY MULTI-BEAM XL
INCHES	0 PLC ±.01 1 PLC ±.01 2 PLC ±.01 3 PLC ±.005 4 PLC ±.002 ANGLES ±.020	PRODUCT SPEC: 108-1973	APPLICATION SPEC: 114-13038	WEIGHT: -	SIZE: A1
MATERIAL: -	FINISH: -	CAGE CODE: 6450120	DRAWING NO: 6450120	SCALE: 4:1	SHEET 22 OF 24
CUSTOMER DRAWING			REV: M2		

STE TE Connectivity

LOC		DIST		REVISIONS			
P	LTN	DESCRIPTION	DATE	DMN	APVD		
ES	00	SEE SHEET 1					

PART NUMBER	ROWS	POWER		SIGNAL		POWER	
		P1	P2	1	2	P1	P2
6-6450120-8	D C B A	PM	PM	J	J	PM	PM
				K	K		
				N	N		
				S	S		
IP + 8S + IP		HD	HD			HD	HD

PART NUMBER	ROWS	POWER					SIGNAL											POWER	
		P1	P2	P3	P4	P5	1	2	3	4	5	6	7	8	9	10	11	P6	
7-6450120-0	D C B A	PM	PM	PM	PM	J	J	J	J	J	J	J	J	J	J	J	J	J	PM
						G	N	N	N	N	N	K	F	F	F	F	F		
						H	H	H	H	H	H	S	S	H	H	H	H		
						5P + 44S + IP											HD	HD	



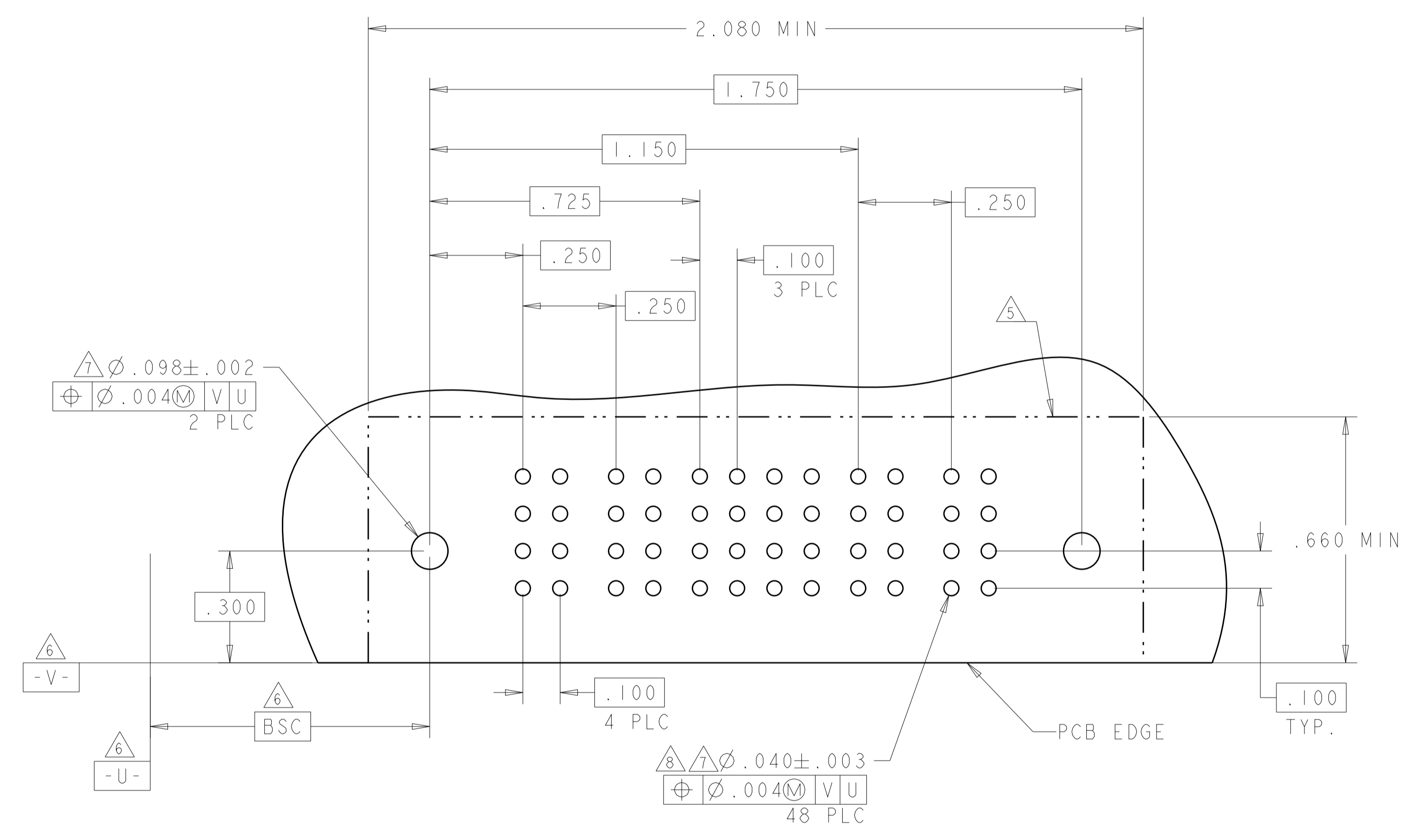
THIS DRAWING IS A CONTROLLED DOCUMENT.

DIMENSIONS:	TOLERANCES UNLESS OTHERWISE SPECIFIED:	DMN: R. GRZYBOWSKI 02FEB05	CHK: M. PERCHERKE 02FEB05	APVD: M. PERCHERKE 02FEB05	NAME: RIGHT ANGLE HEADER W/GUIDES ASSEMBLY MULTI-BEAM XL
INCHES	0 PLC $\pm .01$ 2 PLC $\pm .01$ 3 PLC $\pm .005$ 4 PLC $\pm .0020$ ANGLES $\pm .2^\circ$	PRODUCT SPEC: 108-1973	APPLICATION SPEC: 114-13038	WEIGHT: -	SIZE: A1
MATERIAL: -	FINISH: -	CAGE CODE: 100779	DRAWING NO: 6450120	SCALE: 4:1	SHEET 23 OF 24
CUSTOMER DRAWING			REV: M2		

STE TE Connectivity

LOC	DIST	REVISIONS			
P	LTN	DESCRIPTION	DATE	DMN	APVD
ES	00	SEE SHEET 1	-	-	-

PART NUMBER	ROWS	POWER		SIGNAL				POWER	
		P1	P2	1	2	3	4	P3	P4
7-6450120-1	D	PM	PM	E	E	E	E	PM	PM
	C			F	F	F	F		
	B			N	N	N	N		
	A			H	H	H	H		
2P + 16S + 2P		HD	HD					HD	HD



THIS DRAWING IS A CONTROLLED DOCUMENT.

DIMENSIONS: INCHES	TOLERANCES UNLESS OTHERWISE SPECIFIED: 0 PLC ±. 1 PLC ±. 2 PLC ±.01 3 PLC ±.005 4 PLC ±.0020 ANGLES ±7°	OWN: R. GRZYBOWSKI 02FEB05 CHK: M. PERCHERKE 02FEB05 APVD: M. PERCHERKE 02FEB05	NAME: RIGHT ANGLE HEADER W/GUIDES ASSEMBLY MULTI-BEAM XL
MATERIAL: -	FINISH: -	PRODUCT SPEC: 108-1973 APPLICATION SPEC: 114-13038 WEIGHT: -	SIZE: A1 CAGE CODE: 6450120 DRAWING NO: 6450120
CUSTOMER DRAWING		SCALE: 4:1	SHEET 24 OF 24 REV: M2

4805 (3/11)