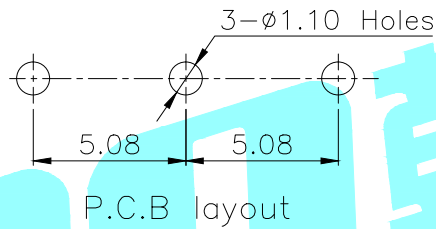
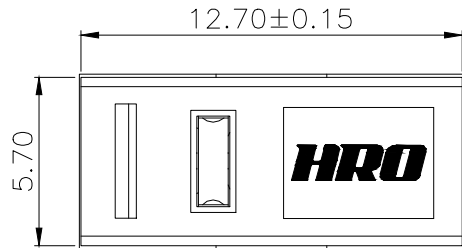
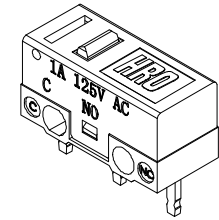
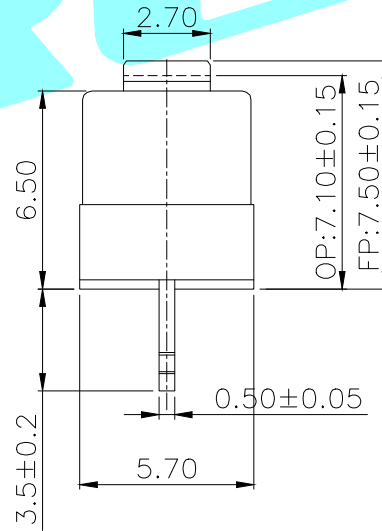
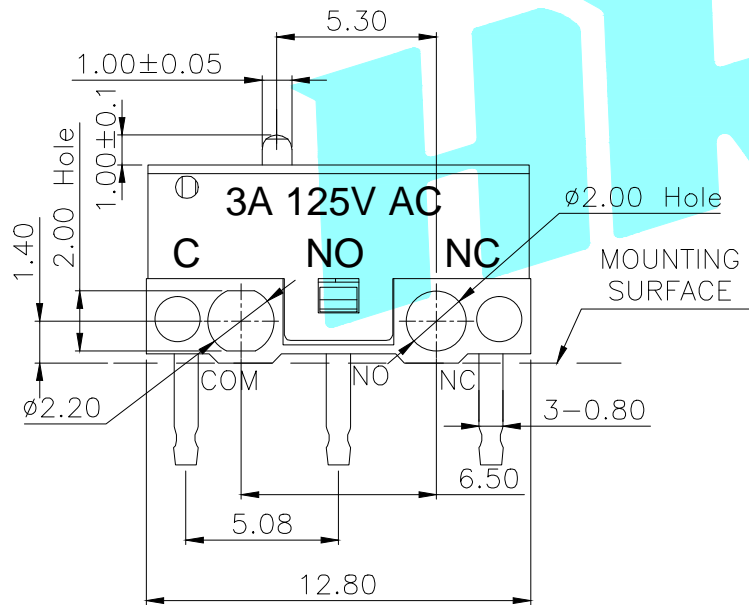
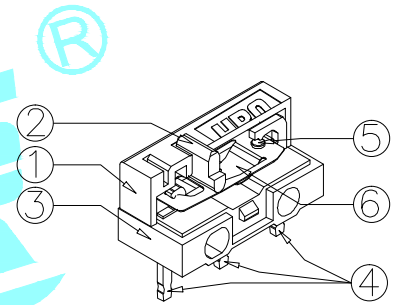


Circuit Diagram



P.C.B layout



- NOTE:
- 1.Rating:AC125V 3A
  - 2.OP:7.10±0.15
  - 3.Operating proce:80±15gf
  - 4.Mechanical Life:3,000,000

⑥	Shrapnel	—	1	Beryllium Copper	—	—
⑤	Contact	—	1	Ag	—	—
④	Terminal	—	2	Brass(0.52t)	Plating silver	—
③	Housing	—	1	PBT	White	—
②	Knob	—	1	PBT	White	—
①	Cover	—	1	PBT	Black	—
ITEM	PART NAME	TER'NO.	QTY.	MATERIAL	FINISHING	REMARK

APPROVALS		DATE		 ELECTRONICS CO.,LTD		
DRAWN	LIUCAN	2021.4.29				
CHECKED				TITLE: MICRO SWITCHES		
APPROVALS				PART NO. K9-1267TA		
TOLERANCES ARE		30~以上	±0.30	ANGLE	UNIT: mm	SCALE: 1:1
		10~30	±0.20			
		5~10	±0.15			
		~ 5	±0.10			
		±2°		DRAWING NO.	PROJ:	

_____	A	_____	NEW	_____	_____	_____
ECN NO.	REV.	DATE.	DESCRIPTION.	CHANGE.	CHECK.	APPRO.