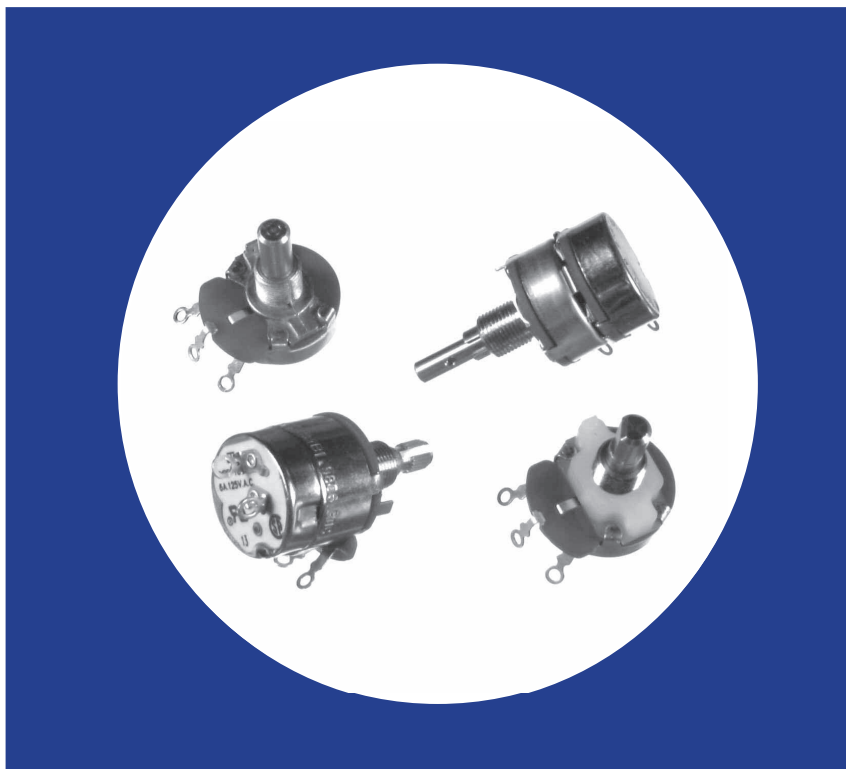


Industrial 15/16" (24mm) Diameter, 5-Watt, Wirewound Variable Resistors

Features

- Dust-proof construction
- Water splash proof construction available
- 5-watt power rating
- Superior resistance stability in temperature and environment change
- Tandem constructions available
- Bushing or twist tab mounting
- Available with pull-push and rotary power switches
- Excellent linearity performance
- RoHS compliant



Electrical and Mechanical Specifications

Resistance Range

Linear : 1 ohm through 25K ohms
Audio : 20 ohms through 10K ohms

Resistance Tolerance

Standard : $\pm 10\%$
Special : Tighter tolerance available in most resistance values

Power Rating

5 watts @25°C, 4 watts @ 55°C, derated to no load at 105°C, linear taper
(Derating required on two section counts.)

Voltage Rating

Bushing to Terminals:
High pot test, one minute -- 1,000 VAC
Operating maximum -- 500 VDC

Across End Terminals:
350 VDC maximum, load not to exceed wattage rating.

Resistance Tapers

Standard: Linear or 20% audio
Special: Consult CTS

Linearity

Standard: 3% linearity
Special: Consult CTS

Power Switches

Rotary Pole-SPST, DPST & SPDT
Pull-Push Pole-SPST (Pull-ON, Push-OFF)

Rotational Angle

Mechanical Rotation:
Without switch: $300^{\circ} \pm 5^{\circ}$
With switch: $300^{\circ} \pm 5^{\circ}$

Effective Rotation:
Without switch: $280^{\circ} \pm 5^{\circ}$
With switch: $265^{\circ} \pm 5^{\circ}$

Rotational Torque:

Standard: 3/4 to 6 in. oz (54 - 432 gf-cm)
Special: higher torque models available, consult CTS

Operating Temperature

-30°C to +85°C

(continued on next page)

Shaft Information

Available for round, flatted, knurled, or slot metal shaft
 Diameter: 6.35mm (.250")
 Consult CTS for custom-made metal and economic plastic shaft

Shaft Center to Lug

Standard: .438" (11.1mm)
 Special: .531" (13.5mm) available

Mounting Information

Bushing Mount

Diameter: EIA standard 3/8-32 UNEF-2A thread
 Standard length: 9.53mm (.375") or 6.35mm (.250")
 Consult CTS for custom-made metal and economic plastic bushing

Twisted Tab Mounting Available

Locating Lugs

Standard: Left lug with terminals facing inward
 Available: No lug, right lug or two lugs with terminals facing inward

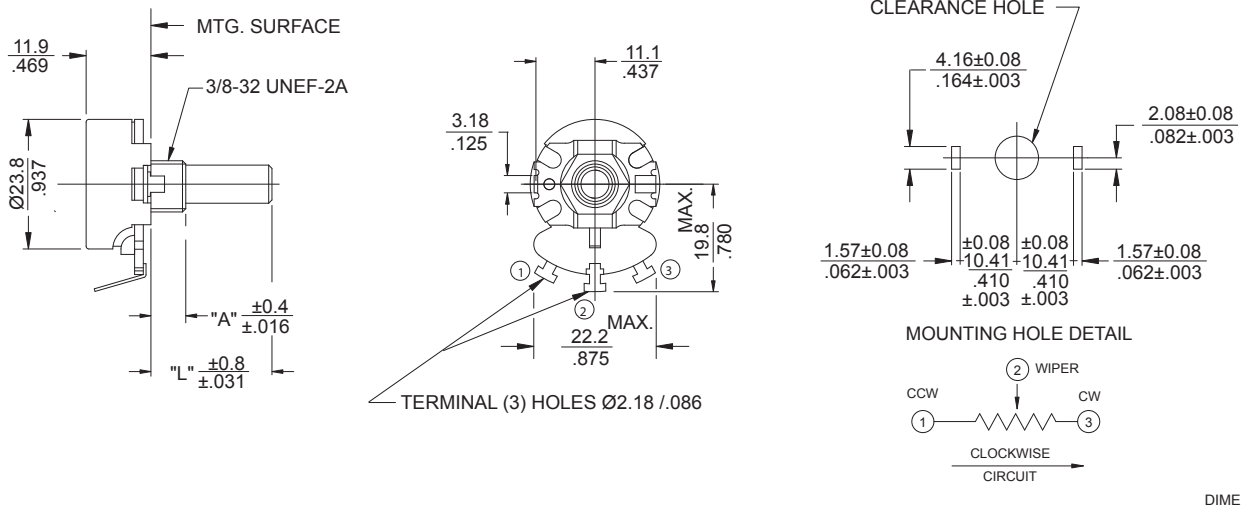
Special Features and Constructions

Terminals accepting push-on connectors available.
 Straight or concentric tandem constructions.
 Can be combined with 450 series, 15/16" (24mm) diameter, to make any combination of straight or concentric tandem constructions with or without switch.
 Long life constructions available.

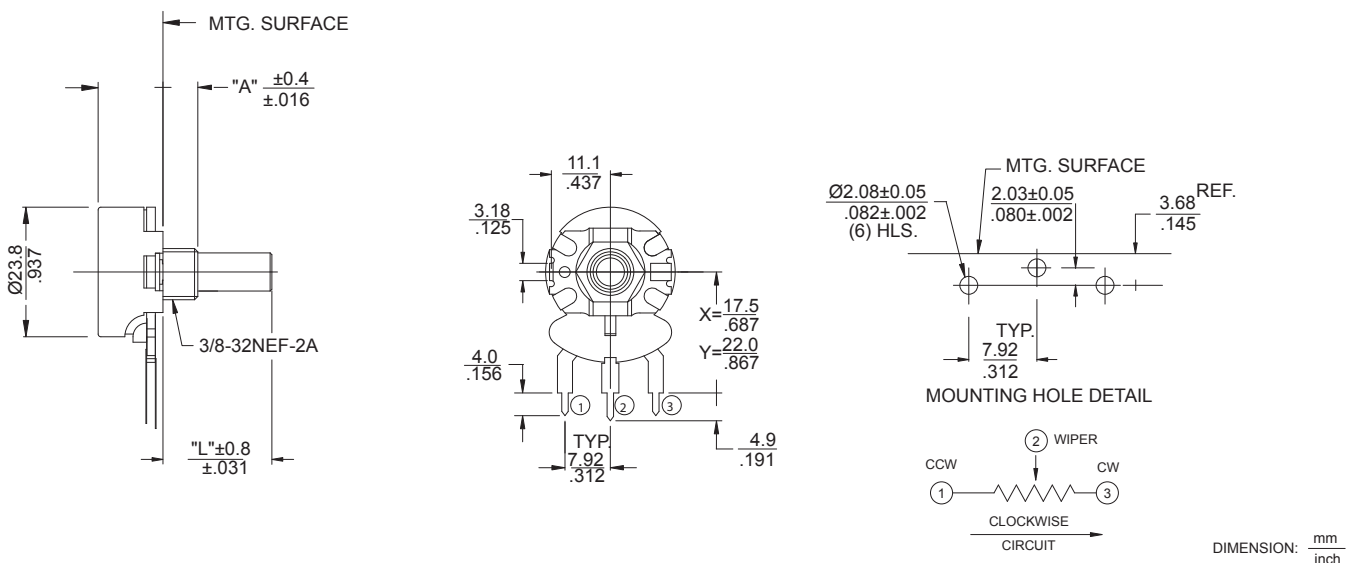
Long Life Construction

This construction provides an extended life of 50K and 100K cycles. Consult CTS for details.

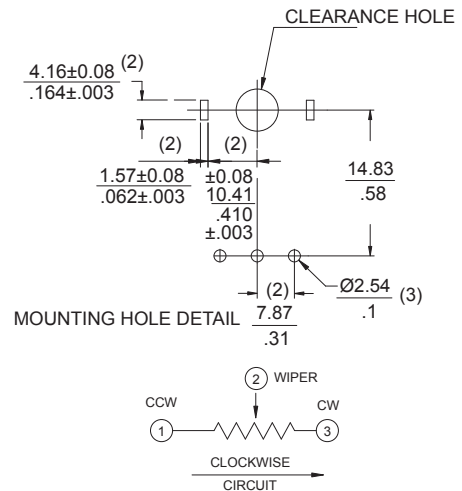
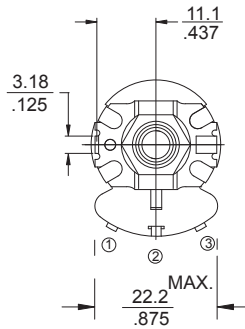
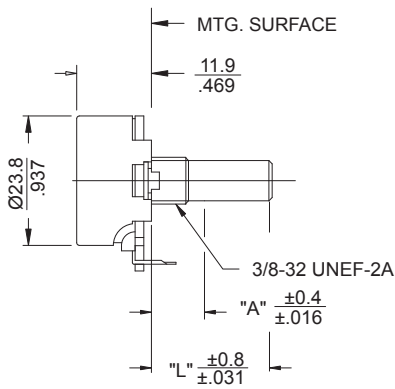
T026 Metal Shaft, Bushing Mounting, Type "T" Solder Lug Terminals



X026 / Y026 Metal Shaft, Bushing Mounting, Printed Circuit Type X/Y Terminals

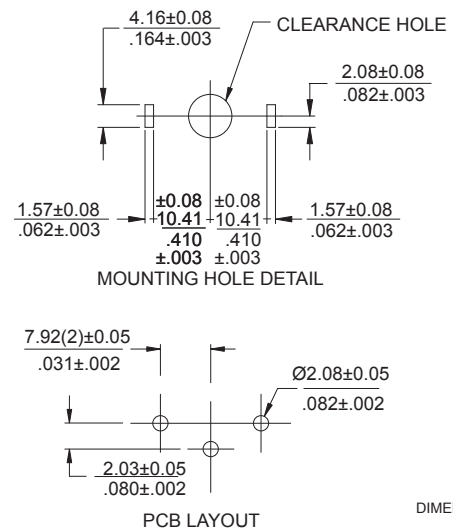
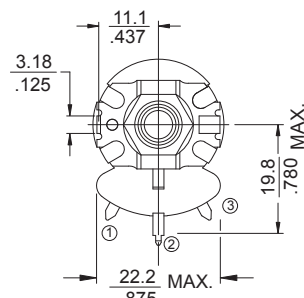
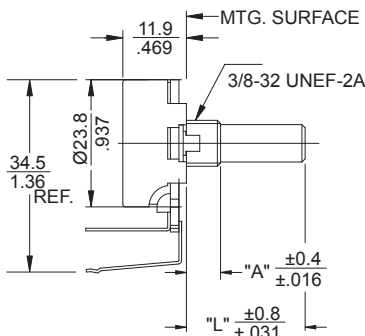


U026 Metal Shaft, Bushing Mounting, Printed Circuit Type "U" Formed Terminals



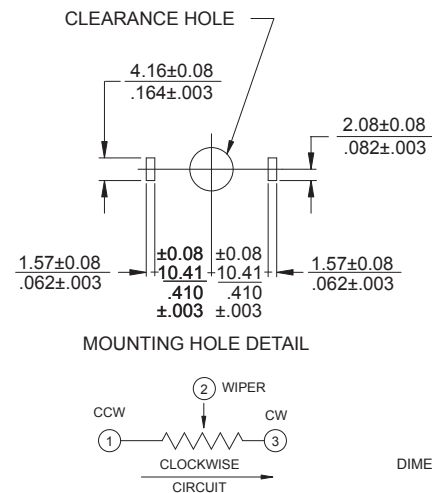
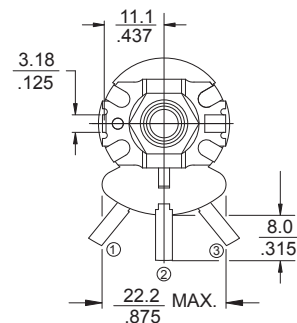
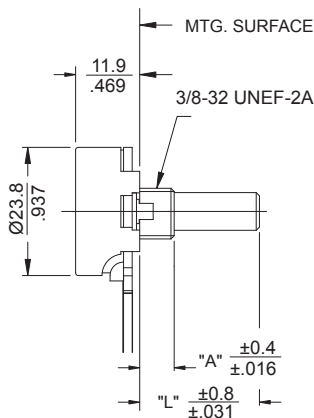
DIMENSION: $\frac{\text{mm}}{\text{inch}}$

V026 Metal Shaft, Bushing Mounting, Printed Circuit Type "V" Formed Terminals



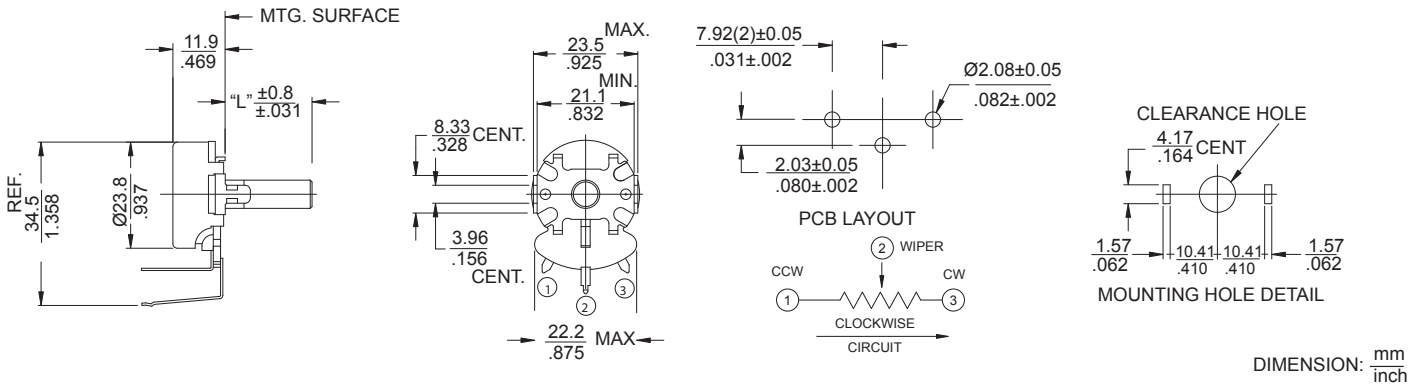
DIMENSION: $\frac{\text{mm}}{\text{inch}}$

S026 Metal Shaft, Bushing Mounting, Faston Type "S" Formed Terminals



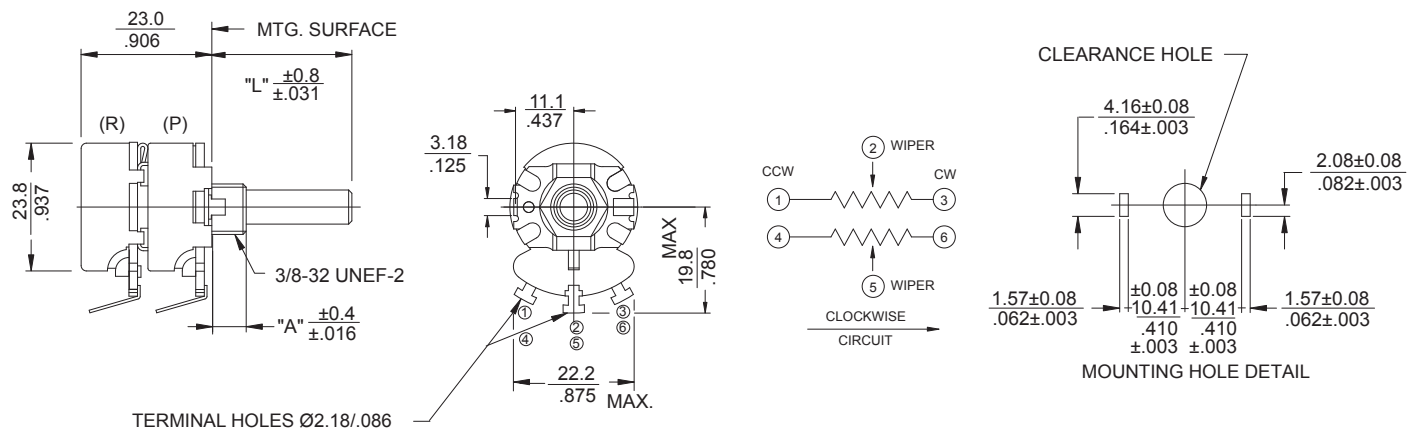
DIMENSION: $\frac{\text{mm}}{\text{inch}}$

VPE026 Metal Shaft, Twist TAB Mounting, Type "V" Formed Terminals



* Consult CTS for details

T2-026 Dual-section, Metal Shaft, Bushing Mounting, Type "T" Solder Lug Terminals



* More multi-section models available, consult CTS for details

Ordering Information

026	T	2	20	R	103	B	1	A	1																				
TERMINAL STYLE T - SOLDER LUG X - PC .687"(17.5mm) Y - PC .867"(22.0mm) U - FORMED TO FRONT V - FORMED TO REAR S - FASTON	METAL MOUNTING STYLE "A" BUSHING LENGTH: 1/8" INCREMENTS EXAMPLES: 2 - .250"(6.35mm) 3 - .375"(9.53mm) 8 - 1.000"(25.4mm) 1 - TWIST TAB MOUNT A - .250"(6.35mm) DIECAST B - .375"(9.53mm) DIECAST	SHAFT TRIM R - ROUND F - FLATTED .375"X.156" (9.53mmX4.0mm) K - KNURLED EIA S148 24 TEETH S - SD SLOT .063" DEEP X.047" WIDE (1.6mmX1.2mm)	RESISTANCE CODE EXAMPLES <table border="1"> <tr><th>CODE</th><th>RESISTANCE</th></tr> <tr><td>5A0</td><td>5 OHMS</td></tr> <tr><td>501</td><td>500 OHMS</td></tr> <tr><td>102</td><td>1K</td></tr> <tr><td>252</td><td>2.5K</td></tr> <tr><td>502</td><td>5K</td></tr> <tr><td>103</td><td>10K</td></tr> <tr><td>253</td><td>25K</td></tr> </table>	CODE	RESISTANCE	5A0	5 OHMS	501	500 OHMS	102	1K	252	2.5K	502	5K	103	10K	253	25K	RESIST TOL A - $\pm 10\%$ B - $\pm 20\%$ D - $\pm 5\%$	TAPER 1 - LINEAR 2 - 20% AUD 3 - 20% CCW AUD	SPECIALS 1 - LOCATING LUG LEFT SIDE 2 - LOCATING LUG RIGHT SIDE 3 - NO LOCATING LUG 5 - LOCATING LUG BOTH SIDE							
CODE	RESISTANCE																												
5A0	5 OHMS																												
501	500 OHMS																												
102	1K																												
252	2.5K																												
502	5K																												
103	10K																												
253	25K																												
METAL SHAFT LENGTH "L" FROM MOUNTING SURFACE 1/32" INCREMENTS EXAMPLES: 20 - .625"(6.35mm) 24 - .750"(19.5mm) 28 - .875"(22.2mm) 32 - 1.000"(25.4mm) * CONSULT CTS FOR SPECIAL REQUIREMENTS	<table border="1"> <thead> <tr> <th>SWITCHES</th> <th>FUNCTION</th> <th>CTS TYPE</th> <th>CURRENT RATING</th> </tr> </thead> <tbody> <tr><td>A - NONE</td><td></td><td></td><td></td></tr> <tr><td>B - SPST</td><td>ROTARY</td><td>TGC</td><td>6AMP@125VAC</td></tr> <tr><td>C - DPST</td><td>ROTARY</td><td>027</td><td>3AMP@125VAC 1AMP@250VAC</td></tr> <tr><td>D - SPDT</td><td>ROTARY</td><td>028</td><td>3AMP@125VAC</td></tr> <tr><td>E - SPST</td><td>PULL-PUSH</td><td>FR-K</td><td>3AMP@125VAC</td></tr> <tr><td>F - SPST</td><td>ROTARY</td><td>FR-GC</td><td>3AMP@125VAC 1AMP@250VAC/DC</td></tr> </tbody> </table>	SWITCHES	FUNCTION	CTS TYPE	CURRENT RATING	A - NONE				B - SPST	ROTARY	TGC	6AMP@125VAC	C - DPST	ROTARY	027	3AMP@125VAC 1AMP@250VAC	D - SPDT	ROTARY	028	3AMP@125VAC	E - SPST	PULL-PUSH	FR-K	3AMP@125VAC	F - SPST	ROTARY	FR-GC	3AMP@125VAC 1AMP@250VAC/DC
SWITCHES	FUNCTION	CTS TYPE	CURRENT RATING																										
A - NONE																													
B - SPST	ROTARY	TGC	6AMP@125VAC																										
C - DPST	ROTARY	027	3AMP@125VAC 1AMP@250VAC																										
D - SPDT	ROTARY	028	3AMP@125VAC																										
E - SPST	PULL-PUSH	FR-K	3AMP@125VAC																										
F - SPST	ROTARY	FR-GC	3AMP@125VAC 1AMP@250VAC/DC																										