



50W TRC-050 Series

Switch Mode LED Drivers, Constant Current

Electrical Specifications

Input Voltage Range:	100 - 277 Nom. Vac (90 - 305 V Min/Max)
Frequency:	50/60 Hz Nom. (47-63 Hz Min/Max)
Power Factor:	>0.90 @ full load, 100V through 277V
Inrush Current:	60 A @ 230Vac
Input Current:	0.70 A @ 100 Vac, 0.35 A @ 220 Vac
Maximum Power:	50W
Line Regulation:	± 2%
Load Regulation:	± 5%
Typical Efficiency	83-89% typical @ maximum load
Protection:	Over-Voltage, Over-Current, Short Circuit Protection with Auto Recovery

Environmental Specifications

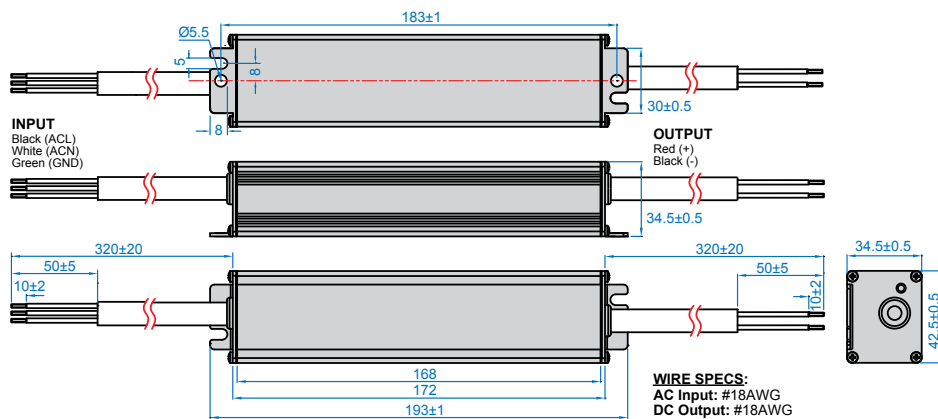
Minimum Starting Temp:	-35°C
Maximum Case Temp.	85°C
Storage Temperature:	-40°C to +85°C
Humidity:	10% to 100%
Cooling:	Convection
Sound Rating:	Class A
MTBF:	487,000 Hours @ 25°C, 80% load, 110VAC input
Lifetime:	66,000 Hours @ 45°C, 80% load, 110VAC input on 4200 mA output model



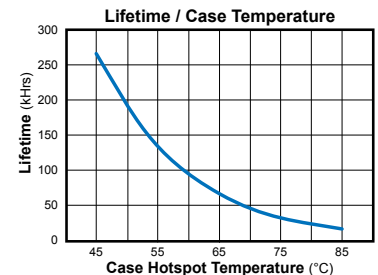
- Total Power: 50 Watts
- Input Voltage: 100-277 Vac Nom.
- UL Dry & Damp Location Rated
- IP67
- High Efficiency, High Power Factor
- Input/Output Protection & Lightning Protection
- UL8750 and EN61347 Certified

Model Number	Output Current (mA)	Output Voltage Range (Vdc)	Max. Output Power (W)	Typical Efficiency
TRC-050S035ST	350	47-142	50	91%
TRC-050S045ST	450	36-110	50	91%
TRC-050S070ST	700	24-72	50	91%
TRC-050S110ST	1100	16-48	50	90%
TRC-050S140ST	1400	12-36	50	90%
TRC-050S175ST	1750	9-29	50	90%
TRC-050S210ST	2100	8-24	50	87%
TRC-050S280ST	2800	6-18	50	89%
TRC-050S333ST	3330	5-15	50	88%
TRC-050S420ST	4200	4-12	50	87%

Class 2: US/Canada US Only



Safety and EMC Compliance	
CUL	UL 8750, Compliance to UL1310, Class 2
CE	EN 61347-1, EN61347-2-13
EN 55015	Conducted emission
EN 61000-3-2	Harmonic current emissions
EN 61000-3-3	Voltage fluctuations and flicker
EN 61000-4-2	Electrostatic discharge
EN 61000-4-3	RFE Field Susceptibility test
EN 61000-4-4	Electrical Fast Transient
EN 61000-4-5	Surge Immunity test
EN 61000-4-6	Conducted Radio Frequency
EN 61000-4-8	Power Frequency Magnetic Field Test
EN 61000-4-11	Voltage Dips
EN 61547	Electromagnetic Immunity



Note:
LED drivers are designed and intended to operate LED loads only. Non-LED loading may be outside the specified design limits of our LED drivers, and therefore cannot be covered by any warranty. If you desire to use our LED drivers to operate non-LED loads please contact us to discuss compatibility.

Specifications subject to change without notice.

Rev 9-1-15