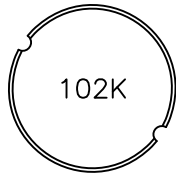
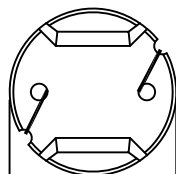
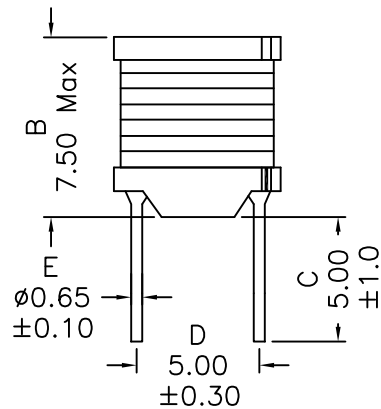


1. Mechanical Dimensions:

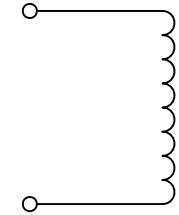


Top view



Bottom view

2. Schematic:



3. Electrical Specifications: @25°C

OCL: 1.0mH±10% @1.0KHz, 1.0V

Rated I: 260mAdc (Based on 40°C Temp Rise)

DCR: 2.94 Ohms Max

Q: 10 Min @796KHz

SRF: 2.3MHz Typ

Notes:

1. Solderability: Leads shall meet MIL-STD-202G, Method 208H for solderability.
2. Flammability: UL94V-0
3. ASTM oxygen index: > 28%
4. Insulation System: Class B 130°C. UL file E151556
5. Operating Temperature Range: All listed parameters are to be within tolerance from -40°C to +85°C
6. Storage Temperature Range: -55°C to +125°C
7. Aqueous wash compatible
8. Electrical and mechanical specifications 100% tested
9. RoHS Compliant Component

XFMRs Inc. www.XFMRs.com	Title: Radial Leaded Inductor		
	UNLESS OTHERWISE SPECIFIED TOLERANCES: .xx ±0.25 Dimensions in mm	P/N: XFRCH875-102K	REV. A
	DWN.	Yuan	Jun-25-14
	CHK.	YK Liao	Jun-25-14
SHEET 1 OF 1	APP.	DDC	Jun-25-14

DOC. REV: A/4

PROPRIETARY

Document is the property of XFMRs Group & is not allowed to be duplicated without authorization.