

PLEASE CHECK WWW.MOLEX.COM FOR LATEST PART INFORMATION

Part Number: [0907793011](#)
Status: **Active**
Description: 1.27mm (.050") Pitch Picoflex® PF-50 Header, Vertical, Low Profile, High Temperature Surface Mount Compatible, 22 Circuits, Glow Wire Compatible

Documents:

[3D Model](#) [Product Specification PS-99020-0011 \(PDF\)](#)
[Drawing \(PDF\)](#) [RoHS Certificate of Compliance \(PDF\)](#)

General

Product Family PCB Headers
 Series [90779](#)
 Application Wire-to-Board
 Application Tooling Part Link 690081070
 Product Name Picoflex®

Physical

Breakaway No
 Circuits (Loaded) 22
 Color - Resin Natural
 Durability (mating cycles max) 100
 First Mate / Last Break No
 Glow-Wire Compliant Yes
 Guide to Mating Part No
 Keying to Mating Part None
 Lock to Mating Part Yes
 Material - Metal Brass
 Material - Plating Mating Gold
 Material - Resin High Temperature Thermoplastic
 Number of Rows 1
 Orientation Vertical
 PCB Retention Yes
 PCB Thickness Recommended (in) 0.062 In
 PCB Thickness Recommended (mm) 1.60 mm
 Packaging Type Bag
 Pitch - Mating Interface (in) 0.050 In
 Pitch - Mating Interface (mm) 1.27 mm
 Plating min: Mating (µin) 30.4
 Plating min: Mating (µm) 0.76
 Plating min: Termination (µin) 120
 Plating min: Termination (µm) 3
 Polarized to Mating Part Yes
 Polarized to PCB Yes
 Shrouded No
 Stackable No
 Surface Mount Compatible (SMC) Yes
 Temperature Range - Operating -40°C to +105°C
 Termination Interface: Style Through Hole

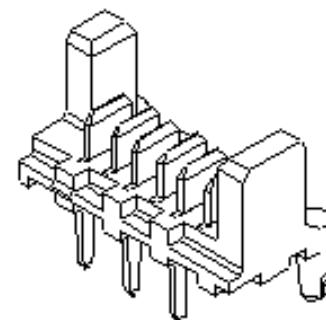
Electrical

Current - Maximum per Contact 1.2A
 Voltage - Maximum 250V

Material Info

Reference - Drawing Numbers

Product Specification PS-99020-0011



*Series
image - Reference only*

EU RoHS

**ELV and RoHS
Compliant**

REACH SVHC

Contains SVHC: No

Halogen-Free

Status

Not Reviewed

China RoHS



**Need more information on product
environmental compliance?**

Email productcompliance@molex.com
 For a multiple part number RoHS Certificate of Compliance, [click here](#)

Please visit the [Contact Us](#) section for any non-product compliance questions.

Search Parts in this Series

[90779Series](#)

Mates With

[90327 IDT Connector](#)

Application Tooling | FAQ

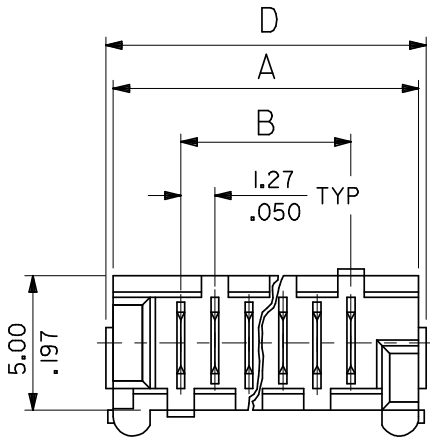
Tooling specifications and manuals are found by selecting the products below. Crimp Height Specifications are then contained in the Application Tooling Specification document.

Global

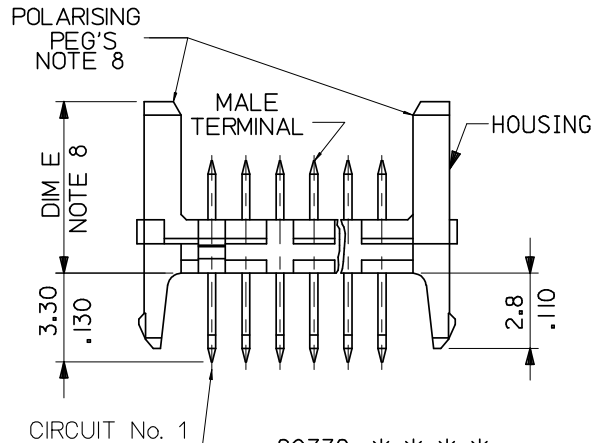
Description	Product #
Extraction Tool (Plastic) for 90327 Connector, 4-26 Circuit	0690081070

This document was generated on 04/23/2010

PLEASE CHECK WWW.MOLEX.COM FOR LATEST PART INFORMATION



MOULD BASE COLOUR: NATURAL



CIRCUIT No. 1

90779-***

0 = 4-6um TIN ASSY
 3 = 0.76um GOLD ASSY
 7 = 0.76um GOLD, TUBED
 9 = 4-6um TIN ASSY TUBED

CIRCUIT SIZE 04CKT TO 26CKT
 -SEE TABLE ABOVE FOR PART CODE

0 - STANDARD
 9 - SHORT VERSION

NOTES

1. HOUSING. NYLON 46, GLASS FILLED UL 94 V-0, NATURAL (WHITE).

2. TERMINAL. BRASS

PLATING. TIN: 0.00127mm/.011" MIN NICKEL
 UNDER 0.004-0.006mm/.160-.240" TIN

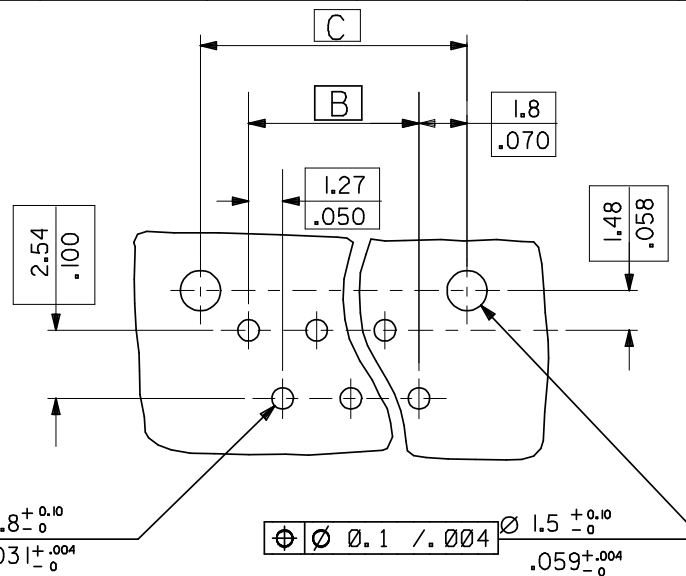
PLATING. GOLD: 0.00127mm/.050" MIN. NICKEL
 UNDER 0.003-0.005mm/.120-.200" TIN SELECTIVE
 AND 0.00076mm/.030" SELECTIVE GOLD

- 3. APPLICATION CLASS TO DIN 40040 HME (-25°C/+100°C)
- 4. PIN PUSH FORCE 7N
- 5. TEST VOLTAGE: 750V.A.C./1 MIN
- 6. COMPATIBLE WITH MOLEX PART 90327
- 7. PRODUCT SPECIFICATION: PS-99020-0011
- 8. POLARISING PEG AVAILABLE IN 2 OPTIONS
 DIM E: STANDARD 6.40mm/.252"
 DIM E: SHORT VERSION 4.10mm/.161"

90779-***13	26	36.80 / 1.449	31.75 / 1.250	35.35 / 1.392	37.26 / 1.467	14
↑ -**12	24	34.26 / 1.349	29.21 / 1.150	32.81 / 1.292	34.72 / 1.367	15
-**11	22	31.72 / 1.249	26.67 / 1.050	30.27 / 1.192	32.18 / 1.267	16
-**10	20	29.18 / 1.149	24.13 / .950	27.73 / 1.092	29.64 / 1.167	18
-**08	18	26.64 / 1.049	21.59 / .850	25.19 / .992	27.10 / 1.067	19
-**07	16	24.10 / .949	19.05 / .750	22.65 / .892	24.56 / .967	22
-**06	14	21.56 / .849	16.51 / .650	20.11 / .792	22.02 / .867	24
-**05	12	19.02 / .749	13.97 / .550	17.57 / .692	19.48 / .767	27
-**04	10	16.48 / .649	11.43 / .450	15.03 / .592	16.94 / .667	32
-**03	8	13.94 / .549	8.89 / .350	12.49 / .492	14.40 / .567	36
↓ -**02	6	11.40 / .449	6.35 / .250	9.95 / .392	11.86 / .467	44
90779-***01	4	8.86 / .349	3.81 / .150	7.41 / .292	9.32 / .367	57
PART NO.	NO. OF CKTS	DIM. A	DIM. B	DIM. C	DIM. D	NO. ASSYS IN TUBE

LATCH FOR FEMALE CONNECTOR

PCB LAYOUT VIEWED FROM SOLDER SIDE.
 BOARD 1.60±0.14 THK
 .063±.006 THK.



⌀ 0.1 ±.004 ⌀ 0.8 ±.010
 .031 ±.004 ⌀ 0.1 ±.004 ⌀ 1.5 ±.010
 .059 ±.004

ADDED PART NUMBERS SHORT POL PEG VERSION EC NO: E2008-0379	DRWN: DBYRNES 2008/02/28 CHKD: 2008/02/28 APPR: J WALLACE 2008/02/28	REVISIONS	DESCRIPTION
1		1	QUALITY SYMBOLS
		2	GENERAL TOLERANCES (UNLESS SPECIFIED)
		3	DIMENSION STYLE
		4	SCALE
		5	DESIGN UNITS
		6	THIRD ANGLE PROJECTION

4 PLACES ± --- ±.008	BGB	1992/08/21
3 PLACES ± 0.20 ±.008	CHECKED BY	DATE
2 PLACES ± 0.20 ± ---	DMOR I ARTY	2004/12/03
1 PLACE ± --- ± ---	APPROVED BY	DATE
ANGULAR ± --- °	JDENNEHY	2004/12/03
DRAFT WHERE APPLICABLE MUST REMAIN WITHIN DIMENSIONS	MATERIAL NO.	DOCUMENT NO.
	SEE CHART	SDA-90779
	SIZE A3	THIS DRAWING CONTAINS INFORMATION THAT IS PROPRIETARY TO MOLEX INCORPORATED AND SHOULD NOT BE USED WITHOUT WRITTEN PERMISSION

DRAWN BY		DATE
CHECKED BY		DATE
APPROVED BY		DATE
MATERIAL NO.		DOCUMENT NO.
SEE CHART		SDA-90779
SIZE A3		THIS DRAWING CONTAINS INFORMATION THAT IS PROPRIETARY TO MOLEX INCORPORATED AND SHOULD NOT BE USED WITHOUT WRITTEN PERMISSION

TITLE		THIRD ANGLE PROJECTION
HEADER ASSEMBLY		
MOLEX INCORPORATED		SHEET NO.
SDA-90779		1 OF 1