

1,048,576 WORDS x 40 BIT DYNAMIC RAM MODULE

DESCRIPTION

The THM401020SG is a 1,048,576 words by 40 bits dynamic RAM module which assembled 10 pcs of TC514400J on the printed circuit board.

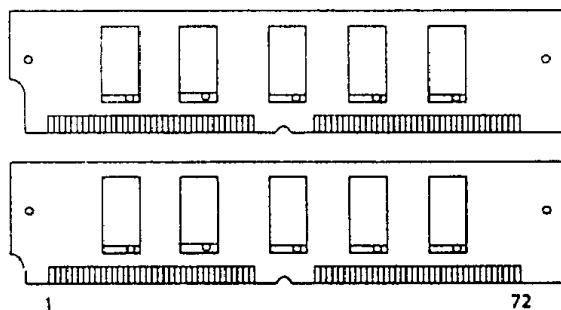
The THM401020SG is optimized for application to the systems which are required high density and large capacity such as main memory of the computers and as image memory systems, and to the others which are requested compact size.

FEATURES

- 1,048,576 words by 40 bits organization
- Fast access time and cycle time
- Single power supply of 5V ± 10%
- Low power
5,775mW MAX. Operating (THMxxxxxx-80)
4,950mW MAX. Operating (THMxxxxxx-10)
55mW MAX. Standby
- Read-Modify-write, $\overline{\text{CAS}}$ before $\overline{\text{RAS}}$ refresh, $\overline{\text{RAS}}$ only refresh, Hidden refresh, and Fast Page Mode capability.
- All inputs and outputs TTL compatible
- 1024 Refresh cycles/16ms
- Gold Contact
- JEDEC OUTLINE : THM401020SG-80, 10
- NON JEDEC OUTLINE : THM401040SG-80, 10

	THM401020 5G-80	THM401020 5G-10
t_{RAC} $\overline{\text{RAS}}$ Access Time	80ns	100ns
t_{AA} Column Address Access Time	40ns	50ns
t_{CAC} $\overline{\text{CAS}}$ Access Time	20ns	25ns
t_{RC} Cycle Time	150ns	180ns
t_{PC} Fast Page Mode Cycle Time	50ns	60ns

PIN CONNECTION (TOP VIEW)



PIN NAMES

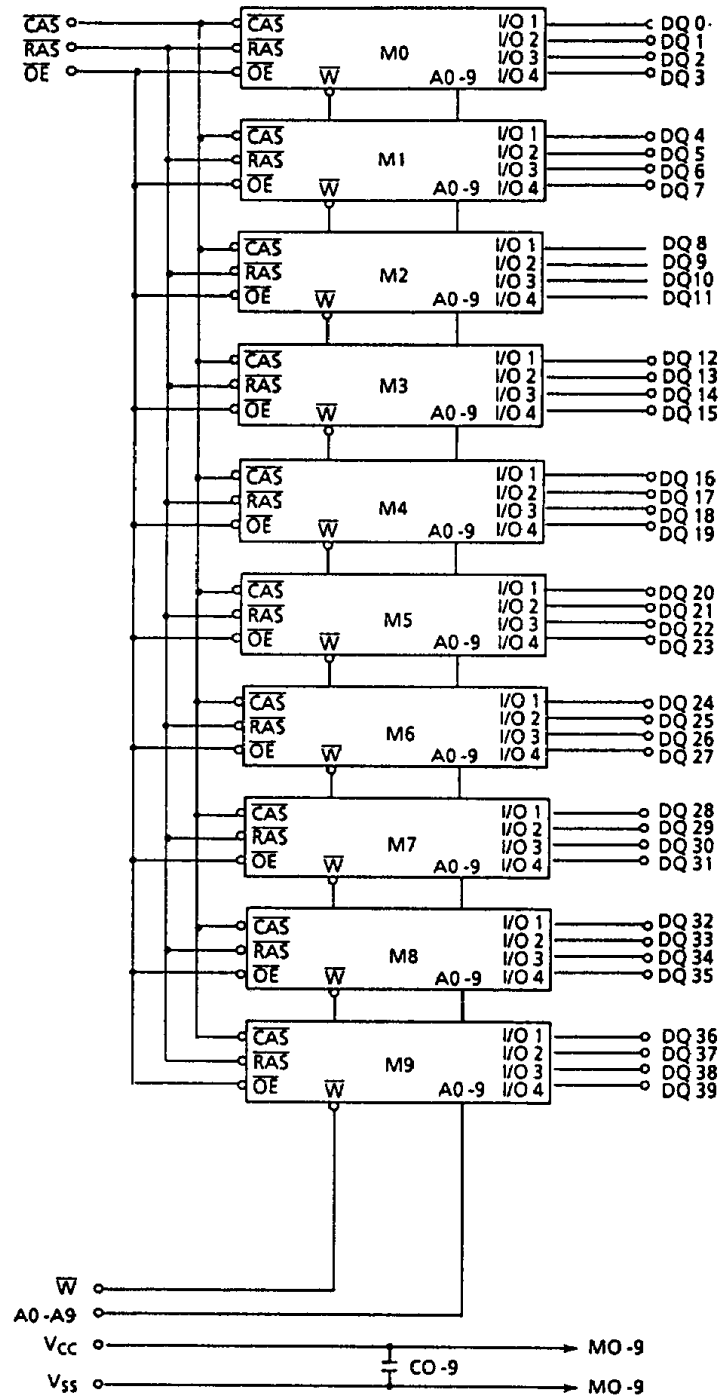
A0~A9	Address inputs
DQ0~DQ39	Data Inputs/Outputs
$\overline{\text{CAS}}$	Column Address Strobe
$\overline{\text{RAS}}$	Row Address Strobe
$\overline{\text{W}}$	Read/Write Input
$\overline{\text{OE}}$	Output Enable
V_{CC}	Power (+5V)
V_{SS}	Ground
PD	Presence Detect Pin

1	V_{SS}	13	A1	25	DQ13	37	DQ19	49	DQ22	61	DQ33
2	DQ0	14	A2	26	DQ14	38	DQ20	50	DQ23	62	DQ34
3	DQ1	15	A3	27	DQ15	39	V_{SS}	51	DQ24	63	DQ35
4	DQ2	16	A4	28	A7	40	$\overline{\text{CAS}}$	52	DQ25	64	DQ36
5	DQ3	17	A5	29	DQ16	41	NC	53	DQ26	65	DQ37
6	DQ4	18	A6	30	V_{CC}	42	NC	54	DQ27	66	DQ38
7	DQ5	19	$\overline{\text{OE}}$	31	A8	43	NC	55	DQ28	67	PD0
8	DQ6	20	DQ8	32	A9	44	$\overline{\text{RAS}}$	56	DQ29	68	PD1
9	DQ7	21	DQ9	33	NC	45	NC	57	DQ30	69	PD2
10	V_{CC}	22	DQ10	34	NC	46	DQ21	58	DQ31	70	PD3
11	NC	23	DQ11	35	DQ17	47	$\overline{\text{W}}$	59	V_{CC}	71	DQ39
12	A0	24	DQ12	36	DQ18	48	V_{SS}	60	DQ32	72	V_{SS}

	- 80	- 10
PD0	V_{SS}	V_{SS}
PD1	V_{SS}	V_{SS}
PD2	NC	V_{SS}
PD3	V_{SS}	V_{SS}

THM401020SG-80, 10

BLOCK DIAGRAM



ABSOLUTE MAXIMUM RATINGS

ITEM	SYMBOL	RATING	UNITS	NOTES
Input Voltage	V _{IN}	- 1.0~7.0	V	1
Output Voltage	V _{OUT}	- 1.0~7.0	V	1
Power Supply Voltage	V _{CC}	- 1.0~7.0	V	1
Operating Temperature	T _{OPR}	0~70	°C	1
Storage Temperature	T _{STG}	- 55~125	°C	1
Soldering Temperature · Time	T _{SOLDER}	260 · 10	°C · sec	1
Power Dissipation	P _D	6.0	W	1
Short Circuit Output Current	I _{OUT}	50	mA	1

RECOMMENDED DC OPERATING CONDITIONS (T_a = 0~70°C)

SYMBOL	PARAMETER	MIN.	TYP.	MAX.	UNIT	NOTES
V _{CC}	Supply Voltage	4.5	5.0	5.5	V	2
V _{IH}	Input High Voltage	2.4	-	6.5	V	2
V _{IL}	Input Low Voltage	- 1.0	-	0.8	V	2

THM401020SG-80, 10

DC ELECTRICAL CHARACTERISTICS ($V_{CC} = 5V \pm 10\%$, $T_a = 0 \sim 70^\circ C$)

SYMBOL	PARAMETER	MIN.	MAX.	UNITS	NOTES	
I_{CC1}	OPERATING CURRENT Average Power Supply Operating Current (\overline{RAS} , \overline{CAS} , Address Cycling: $t_{RC} = t_{RC} \text{ MIN.}$)			mA	3,4,5	
		THM401020SG-80	-			1050
		THM401020SG-10	-			900
I_{CC2}	STANDBY CURRENT Power Supply Standby Current ($\overline{RAS} = \overline{CAS} = V_{IH}$)	-	20	mA		
I_{CC3}	\overline{RAS} ONLY REFRESH CURRENT Average Power Supply Current, \overline{RAS} Only Mode (\overline{RAS} Cycling, $\overline{CAS} = V_{IH}$; $t_{RC} = t_{RC} \text{ MIN.}$)			mA	3,5	
		THM401020SG-80	-			1050
		THM401020SG-10	-			900
I_{CC4}	FAST PAGE MODE CURRENT Average Power Supply Current, Fast Page Mode ($\overline{RAS} = V_{IL}$, \overline{CAS} Address Cycling: $t_{PC} = t_{PC} \text{ MIN.}$)			mA	3,4,5	
		THM401020SG-80	-			700
		THM401020SG-10	-			600
I_{CC5}	STANDBY CURRENT Power Supply Standby Current ($\overline{RAS} = \overline{CAS} = V_{CC} - 0.2V$)	-	10	mA		
I_{CC6}	\overline{CAS} BEFORE \overline{RAS} REFRESH CURRENT Average Power Supply Current, \overline{CAS} Before \overline{RAS} Mode (\overline{RAS} , \overline{CAS} Cycling: $t_{RC} = t_{RC} \text{ MIN.}$)			mA	3	
		THM401020SG-80	-			1050
		THM401020SG-10	-			900
$I_{I(L)}$	INPUT LEAKAGE CURRENT Input Leakage Current, any Input ($0V \leq V_{IN} \leq 6.5V$, All Other Pins not under Test = $0V$)	- 100	100	μA		
$I_{O(L)}$	OUTPUT LEAKAGE CURRENT (D_{OUT} is disabled, $0V \leq V_{OUT} \leq 5.5V$)	- 10	10	μA		
V_{OH}	OUTPUT LEVEL Output "H" Level Voltage ($I_{OUT} = -5mA$)	2.4	-	V		
V_{OL}	OUTPUT LEVEL Output "L" Level Voltage ($I_{OUT} = 4.2mA$)	-	0.4	V		

ELECTRICAL CHARACTERISTICS AND RECOMMENDED AC OPERATING CONDITIONS

($V_{CC} = 5V \pm 10\%$, $T_a = 0 \sim 70^\circ C$) (Notes 5, 6, 7)

SYMBOL	PARAMETER	THM401020 SG-80		THM401020 SG-10		UNIT	NOTES
		MIN.	MAX.	MIN.	MAX.		
t_{RC}	Random Read or Write Cycle Time	150	-	180	-	ns	
t_{RMW}	Read-Modify-Write Cycle Time	205	-	245	-	ns	
t_{PC}	Fast Page Mode Cycle Time	50	-	60	-	ns	
t_{PRMW}	Fast Page Mode Read-Modify-Write Cycle Time	105	-	125	-	ns	
t_{RAC}	Access Time from \overline{RAS}	-	80	-	100	ns	9,14 15
t_{CAC}	Access Time from \overline{CAS}	-	20	-	25	ns	9,14
t_{AA}	Access Time from Column Address	-	40	-	50	ns	9,15
t_{CPA}	Access Time from \overline{CAS} Precharge	-	45	-	55	ns	9
t_{CLZ}	\overline{CAS} to output in Low-Z	0	-	0	-	ns	9
t_{OFF}	Output Buffer Turn-off Delay	0	20	0	20	ns	10
t_T	Transition Time (Rise and Fall)	3	50	3	50	ns	8
t_{RP}	\overline{RAS} Precharge Time	60	-	70	-	ns	
t_{RAS}	\overline{RAS} Pulse Width	80	10,000	100	10,000	ns	
t_{RASP}	\overline{RAS} Pulse Width (Fast Page Mode)	80	100,000	100	100,000	ns	
t_{RSH}	\overline{RAS} Hold Time	20	-	25	-	ns	
t_{RHCP}	\overline{RAS} Hold Time From \overline{CAS} Precharge (Fast Page Mode)	45	-	55	-	ns	
t_{CSH}	\overline{CAS} Hold Time	80	-	100	-	ns	
t_{CAS}	\overline{CAS} Pulse Width	20	10,000	25	10,000	ns	
t_{RCD}	\overline{RAS} to \overline{CAS} Delay Time	20	60	25	75	ns	14
t_{RAD}	\overline{RAS} to Column Address Delay Time	15	40	20	50	ns	15
t_{CRP}	\overline{CAS} to \overline{RAS} Precharge Time	5	-	10	-	ns	
t_{CP}	\overline{CAS} Precharge Time (Fast Page Mode)	10	-	10	-	ns	
t_{ASR}	Row Address Set-Up Time	0	-	0	-	ns	
t_{RAH}	Row Address Hold Time	10	-	15	-	ns	
t_{ASC}	Column Address Set-Up Time	0	-	0	-	ns	
t_{CAH}	Column Address Hold Time	15	-	20	-	ns	
t_{AR}	Column Address Hold Time referenced to \overline{RAS}	60	-	75	-	ns	
t_{RAL}	Column Address to \overline{RAS} Lead Time	40	-	50	-	ns	
t_{RCS}	Read Command Set-Up Time	0	-	0	-	ns	
t_{RCH}	Read Command Hold Time	0	-	0	-	ns	11

THM401020SG-80, 10

ELECTRICAL CHARACTERISTICS AND RECOMMENDED AC OPERATING CONDITIONS (Continued)

SYMBOL	PARAMETER	THM401020 SG-80		THM401020 SG-10		UNITS	NOTES
		MIN.	MAX.	MIN.	MAX.		
t_{RRH}	Read Command Hold Time referenced to \overline{RAS}	0	-	0	-	ns	11
t_{WCH}	Write Command Hold Time	15	-	20	-	ns	
t_{WCR}	Write Command Hold Time referenced to \overline{RAS}	60	-	75	-	ns	
t_{WP}	Write Command Pulse Width	15	-	20	-	ns	
t_{RWL}	Write Command to \overline{RAS} Lead Time	20	-	25	-	ns	
t_{CWL}	Write Command to \overline{CAS} Lead Time	20	-	25	-	ns	
t_{DS}	Data Set-Up Time	0	-	0	-	ns	12
t_{DH}	Data Hold Time	15	-	20	-	ns	12
t_{DHR}	Data Hold Time referenced to \overline{RAS}	60	-	75	-	ns	
t_{REF}	Refresh Period	-	16	-	16	ms	
t_{WCS}	Write Command Set-UP Time	0	-	0	-	ns	13
t_{CWD}	\overline{CAS} to \overline{WRITE} Delay Time	50	-	60	-	ns	13
t_{RWD}	\overline{RAS} to \overline{WRITE} Delay Time	110	-	135	-	ns	13
t_{AWD}	Column Address to \overline{WRITE} Delay Time	70	-	85	-	ns	13
t_{CPWD}	\overline{CAS} Precharge to \overline{WRITE} Delay Time	75	-	90	-	ns	13
t_{CSR}	\overline{CAS} Set-Up Time (\overline{CAS} before \overline{RAS} Cycle)	5	-	5	-	ns	
t_{CHR}	\overline{CAS} Hold Time (\overline{CAS} before \overline{RAS} Cycle)	15	-	20	-	ns	
t_{RPC}	\overline{RAS} to \overline{CAS} Precharge Time	0	-	0	-	ns	
t_{CPT}	\overline{CAS} Precharge Time (\overline{CAS} before \overline{RAS} Counter Test Cycle)	40	-	50	-	ns	
t_{ROH}	\overline{RAS} Hold Time referenced to \overline{OE}	10	-	20	-	ns	
t_{OEA}	\overline{OE} Access Time	-	20	-	25	ns	
t_{OED}	\overline{OE} to Data Delay	20	-	25	-	ns	
t_{OEZ}	Output buffer turn off Delay Time from \overline{OE}	0	20	0	20	ns	10
t_{OEH}	\overline{OE} Command Hold Time	20	-	25	-	ns	
t_{WRP}	\overline{WRITE} to \overline{RAS} Precharge Time (\overline{CAS} before \overline{RAS} Cycle)	10	-	10	-	ns	
t_{WRH}	\overline{WRITE} to \overline{RAS} Hold Time (\overline{CAS} before \overline{RAS} Cycle)	10	-	10	-	ns	

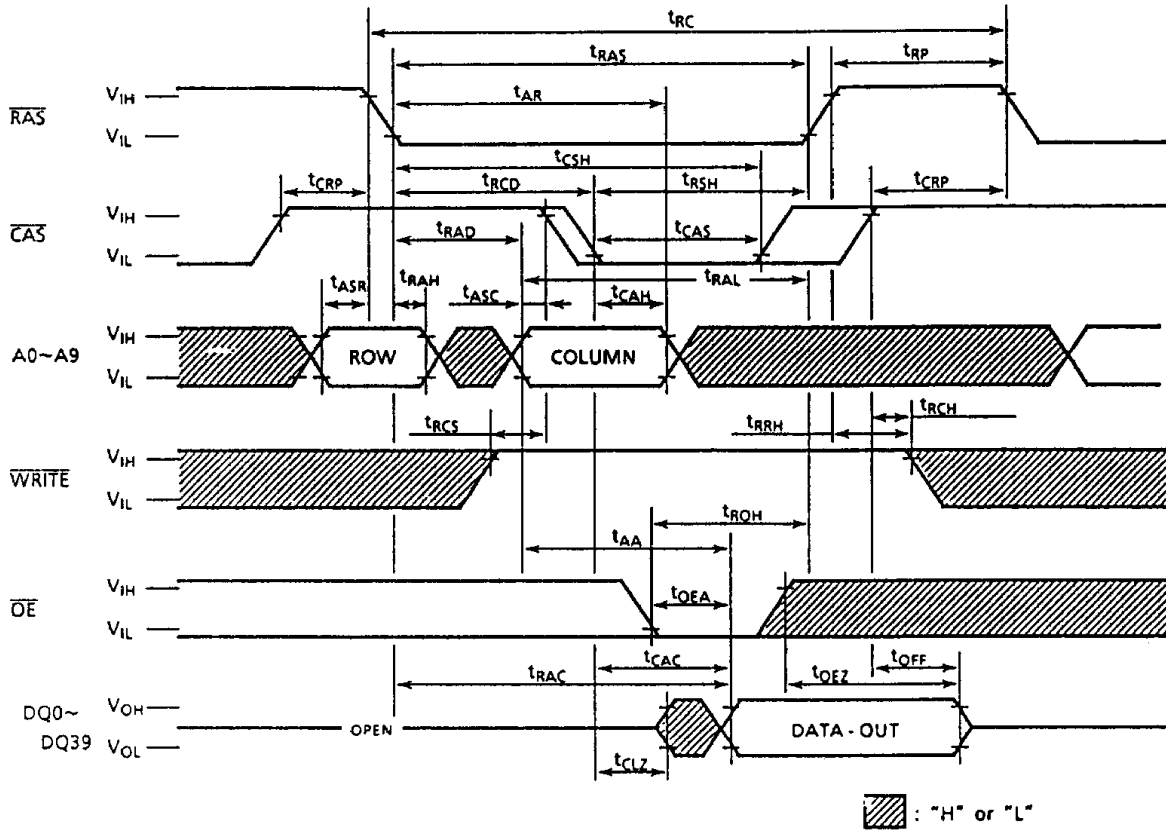
CAPACITANCE ($V_{CC} = 5V \pm 10\%$, $f = 1MHz$, $T_a = 0 \sim 70^\circ C$)

SYMBOL	PARAMETER	MIN.	MAX.	UNIT
CI1	Input Capacitance (A0~A9)	-	65	pF
CI2	Input Capacitance (\overline{W} , \overline{OE})	-	65	pF
CI3	Input Capacitance (\overline{RAS})	-	50	pF
CI4	Input Capacitance (\overline{CAS})	-	60	pF
CDQ	I/O Capacitance (DQ0~DQ39)	-	17	pF

NOTES:

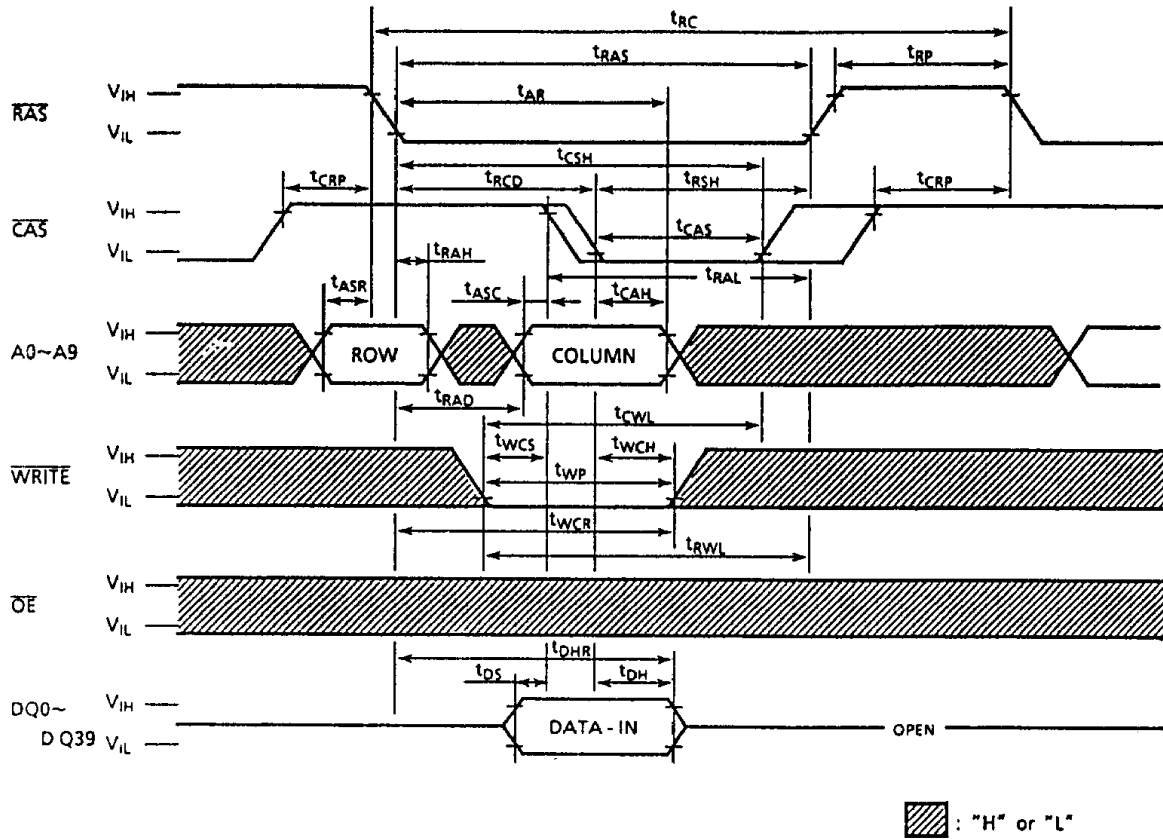
1. Stresses greater than those listed under "Absolute Maximum Ratings" may cause permanent damage to the device.
2. All voltages are referenced to V_{SS} .
3. I_{CC1} , I_{CC3} , I_{CC4} , I_{CC6} depend on cycle rate.
4. I_{CC1} , I_{CC4} depend on output loading. Specified value are obtained with the output open.
5. Column address can be changed once or less while $\overline{RAS} = V_{IL}$ and $\overline{CAS} = V_{IH}$.
6. An initial pause of 200 μ s is required after power-up followed by 8 \overline{RAS} cycles before proper device operation is achieved. In case of using internal refresh counter, a minimum of 8 \overline{CAS} before \overline{RAS} initialization cycles instead of 8 \overline{RAS} cycles are required.
7. AC measurements assume $t_T = 5$ ns.
8. V_{IH} (min.) and V_{IL} (max.) are reference levels for measuring timing of input signals. Also, transition times are measured between V_{IH} and V_{IL} .
9. Measured with a load equivalent to 2 TTL loads and 100pF.
10. t_{OFF} (max.) and t_{OEZ} (max.) define the time at which the output achieves the open circuit condition and are not referenced to output voltage levels.
11. Either t_{RCH} or t_{RRH} must be satisfied for a read cycle.
12. These parameters are referenced to \overline{CAS} leading edge in early write cycles and to \overline{WRITE} leading edge in read-write cycles.
13. t_{WCS} , t_{RWD} , t_{CWD} , t_{AWD} and t_{CPWD} are not restrictive operating parameters. They are included in the data sheet as electrical characteristics only. If $t_{WCS} \geq t_{WCS}(\text{min.})$, the cycle is an early write cycle and data out pin will remain open circuit (high impedance) throughout the entire cycle; If $t_{RWD} \geq t_{RWD}(\text{min.})$, $t_{CWD} \geq t_{CWD}(\text{min.})$, $t_{AWD} \geq t_{AWD}(\text{min.})$ and $t_{CPWD} \geq t_{CPWD}(\text{min.})$, the cycle is a read-modify-write cycle and the data out will contain data read from the selected cell: If neither of the above sets of conditions is satisfied, the condition of the data out (at access time) is indeterminate.
14. Operation within the $t_{RCD}(\text{max.})$ limit insures that $t_{RAC}(\text{max.})$ can be met. $t_{RCD}(\text{max.})$ is specified as a reference point only: If t_{RCD} is greater than the specified $t_{RCD}(\text{max.})$ limit, then access time is controlled by t_{CAC} .
15. Operation within the $t_{RAD}(\text{max.})$ limit insures that $t_{RAC}(\text{max.})$ can be met. $t_{RAD}(\text{max.})$ is specified as a reference point only: If t_{RAD} is greater than the specified $t_{RAD}(\text{max.})$ limit, then access time is controlled by t_{AA} .

READ CYCLE

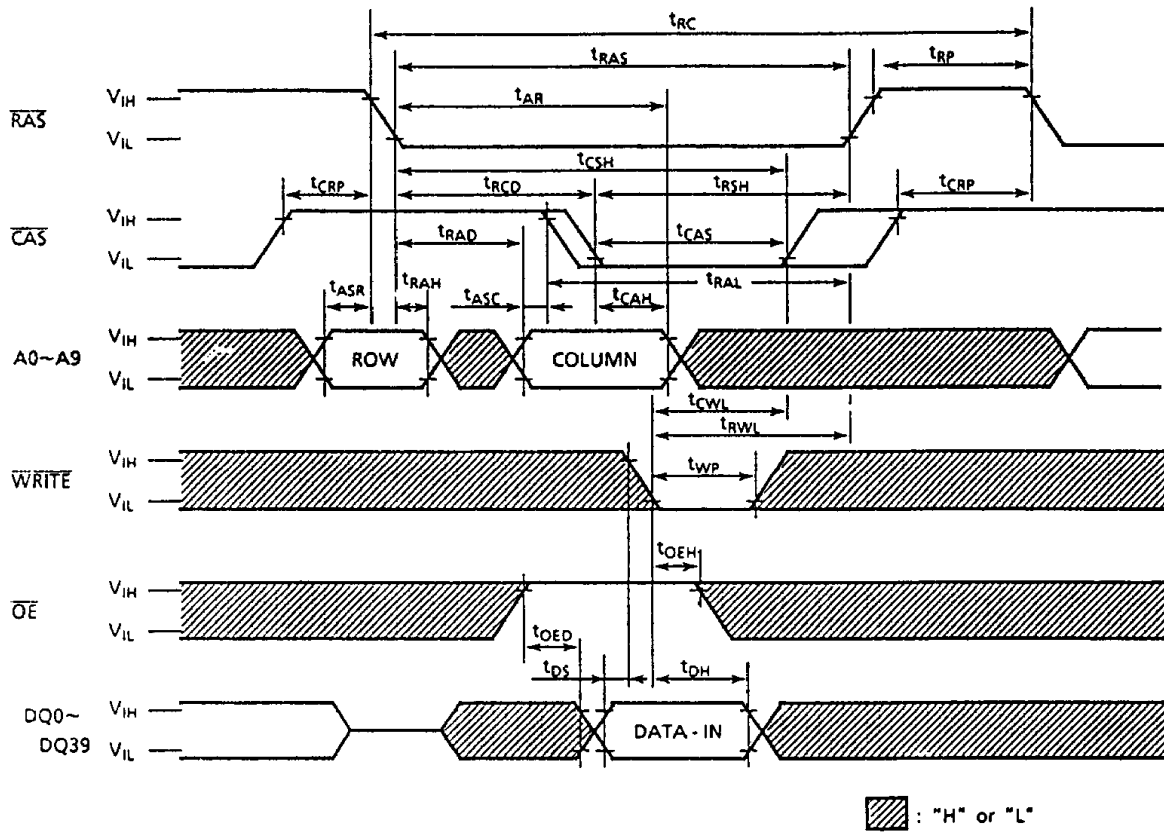


THM401020SG-80, 10

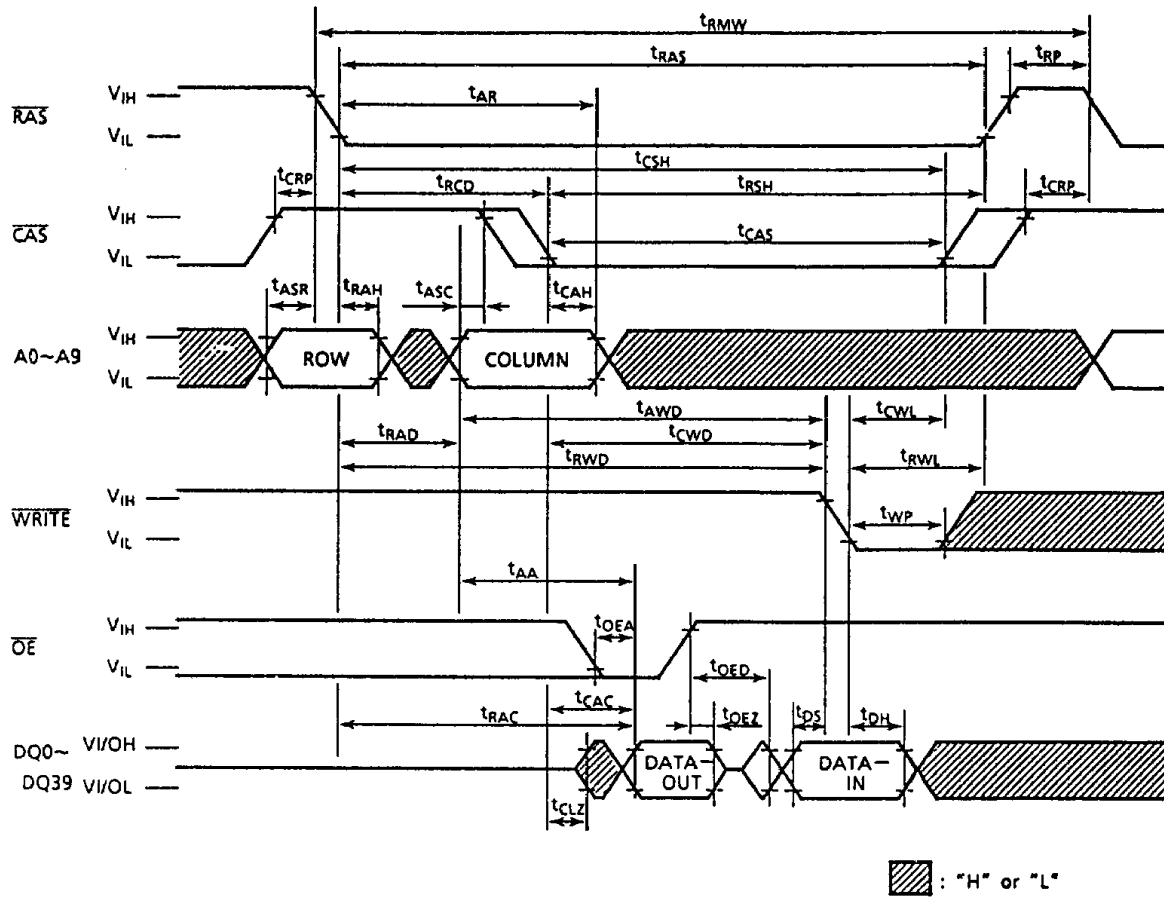
WRITE CYCLE (EARLY WRITE)



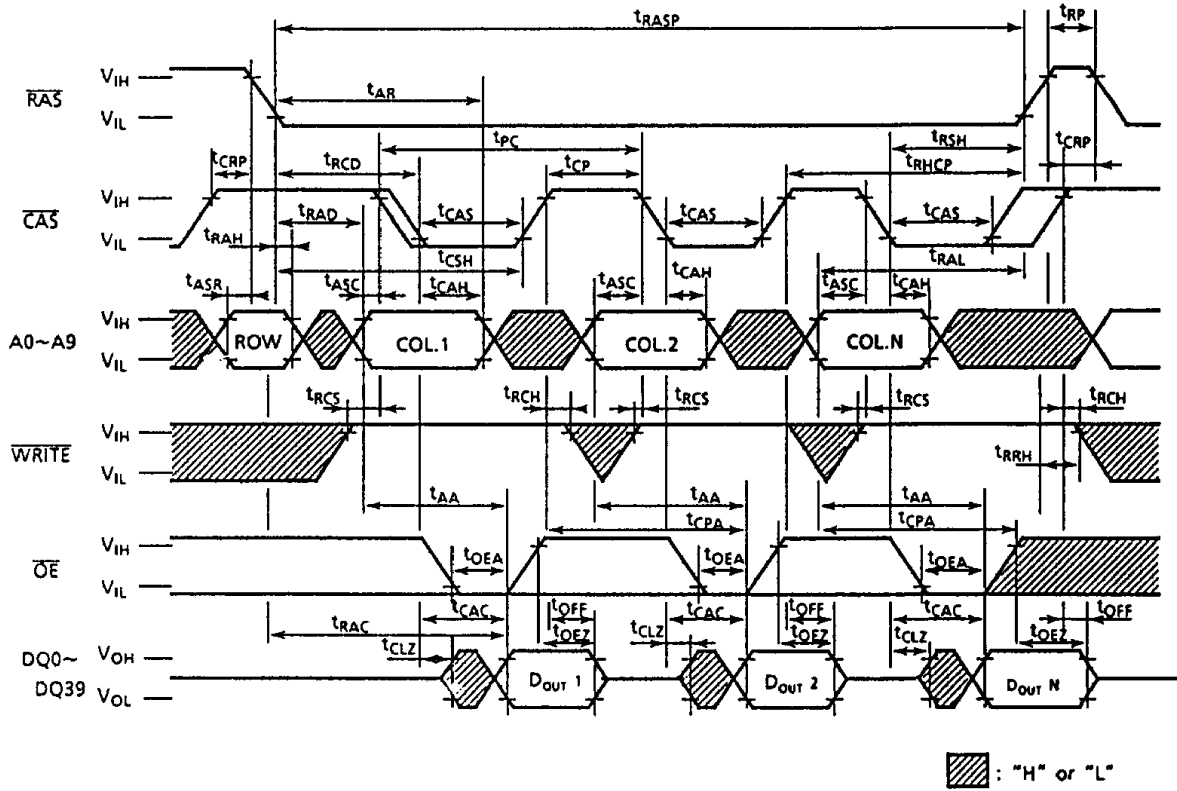
WRITE CYCLE (\overline{OE} CONTROLLED WRITE)



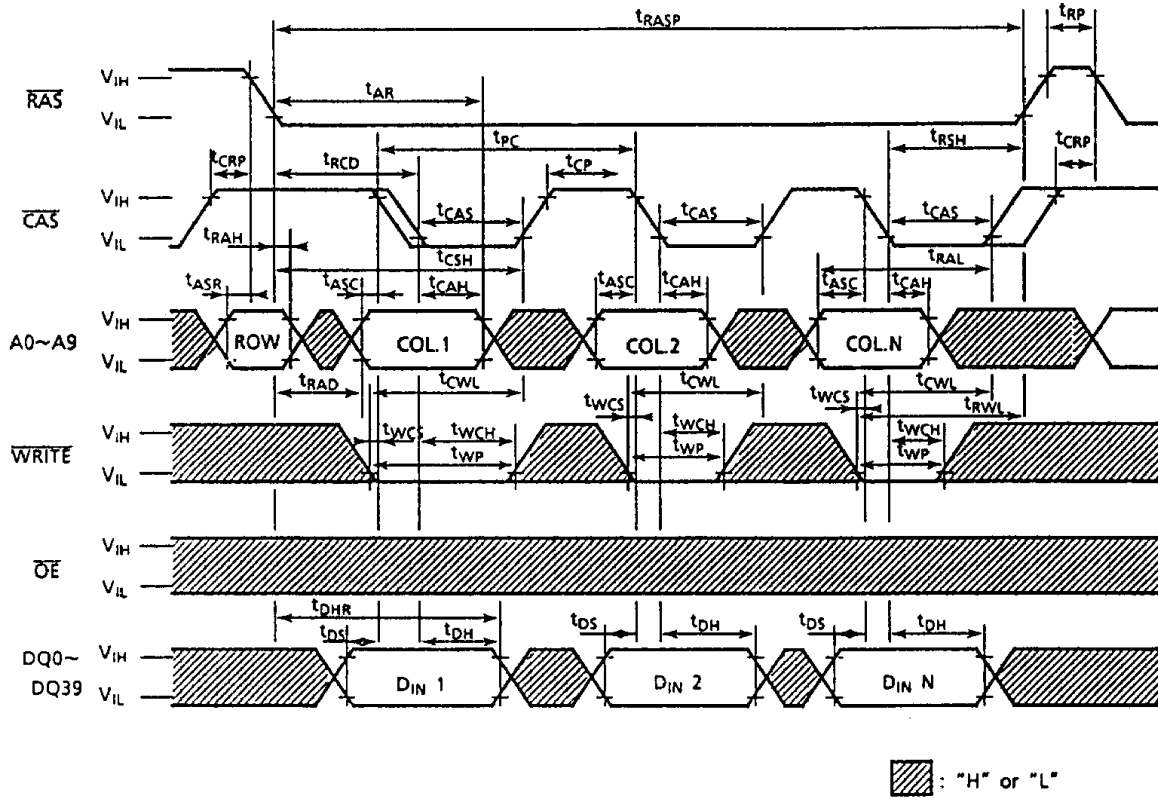
READ-MODIFY-WRITE CYCLE



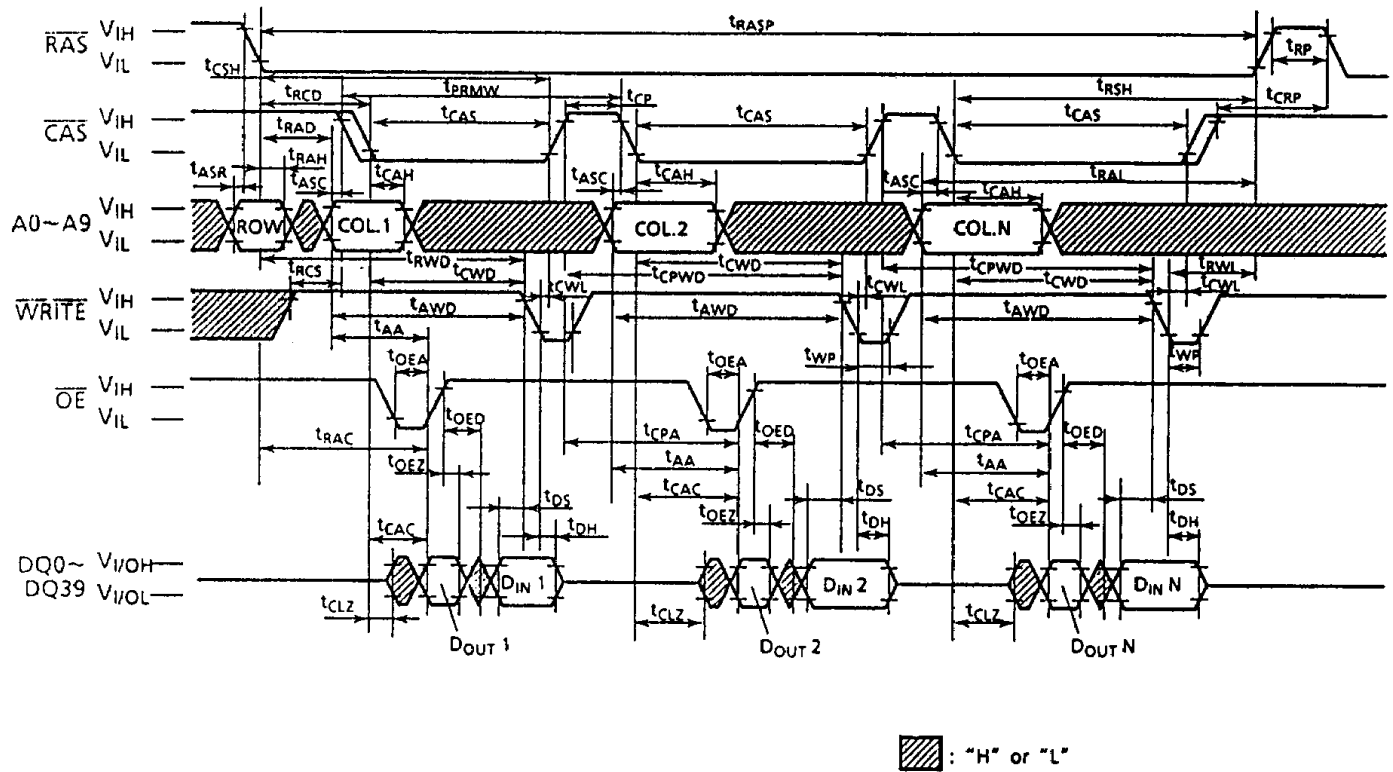
FAST PAGE MODE READ CYCLE



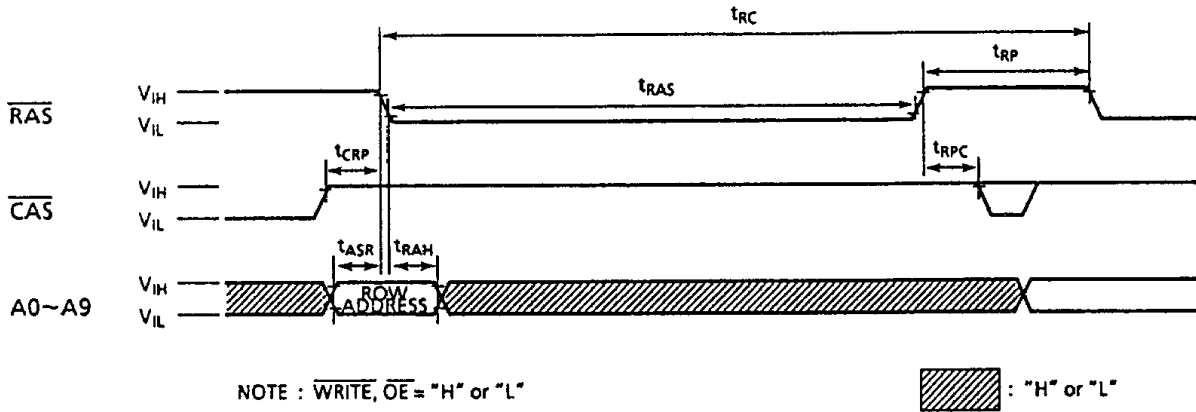
FAST PAGE MODE WRITE CYCLE



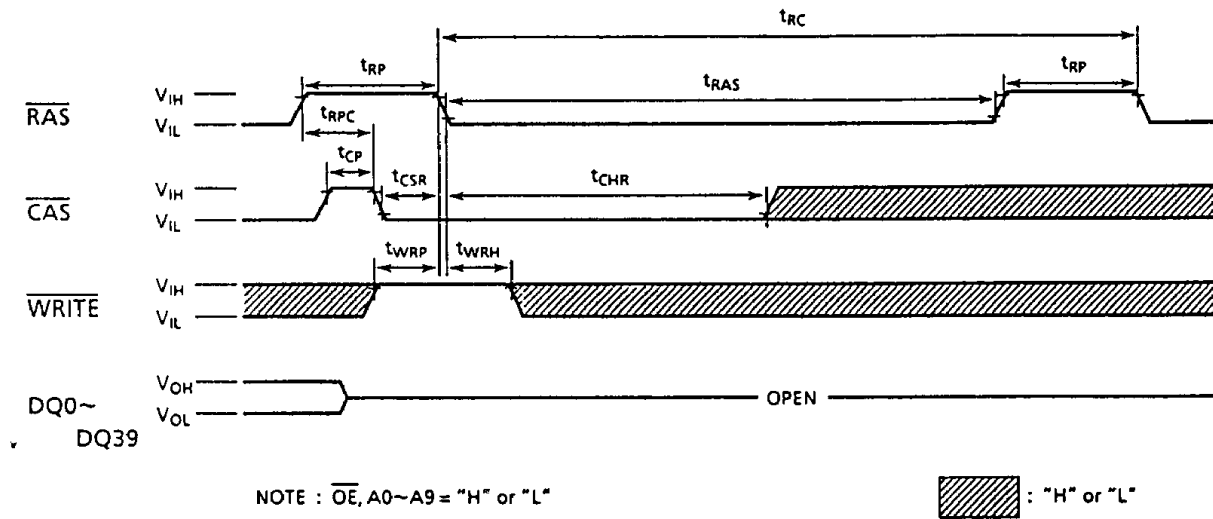
FAST PAGE MODE READ-MODIFY-WRITE CYCLE



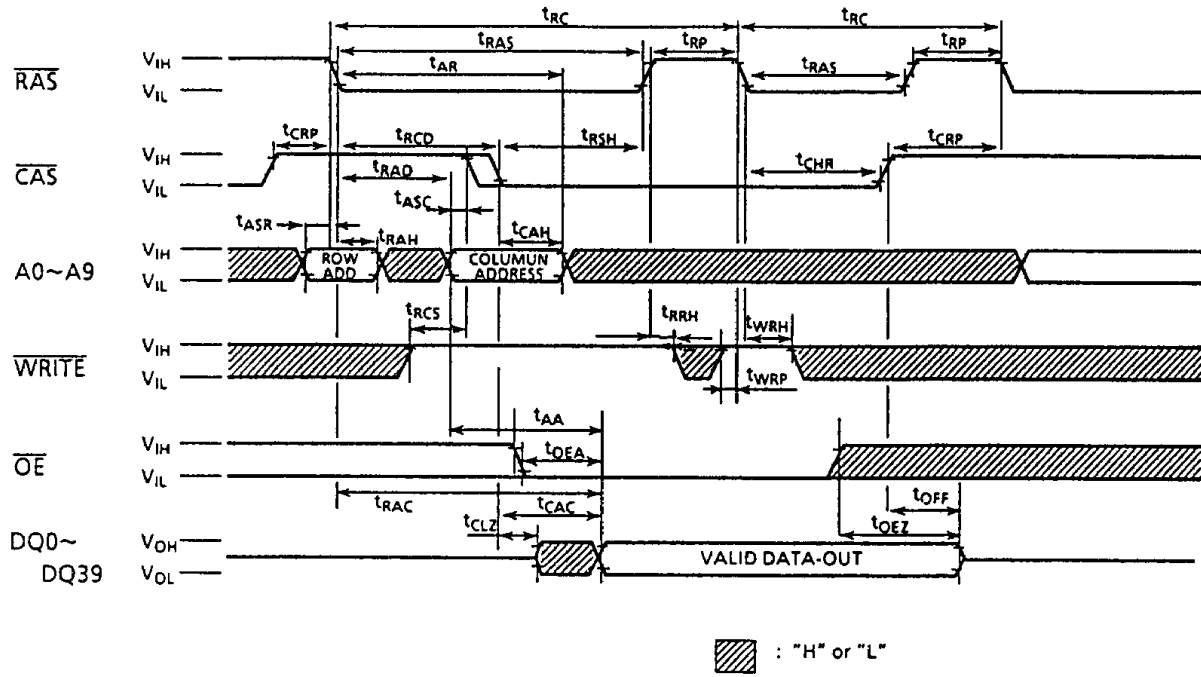
RAS ONLY REFRESH CYCLE



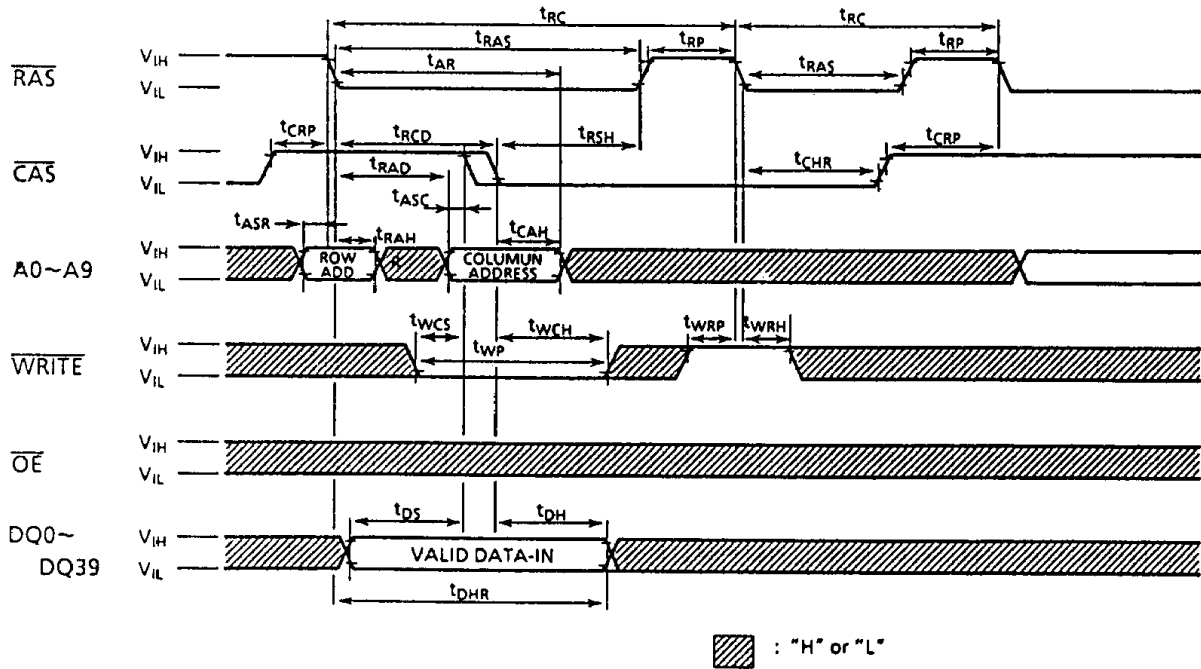
CAS BEFORE RAS REFRESH CYCLE



HIDDEN REFRESH CYCLE (READ)



HIDDEN REFRESH CYCLE (WRITE)



CAS BEFORE RAS REFRESH COUNTER TEST CYCLE

