

Apacer

The Most **Reliable**
Storage For Industries



CFast 2



CFast 2

Overview

Since CompactFlash Association released the specification of CFast 2.0, Apacer takes the lead to roll out the first industrial-grade SATA 3.0 (6Gb/s) high-speed transmission interface CFast 2.0 memory card around the globe. Its sequential speed is up to 285/260 MB/sec and dimensions is 42.8mm x 36.4mm x 3.6mm with (7+17) pin connector. Besides featuring a 2-Channel bidirectional structure, the CFast 2.0 adopts Toggle DDR 2.0 NAND Flash, which brings its performance to a higher level. Support for DEVSLP (Device Sleep) power mode enables them to switch into a low power state on standby mode so as to save power for companies.



Feature

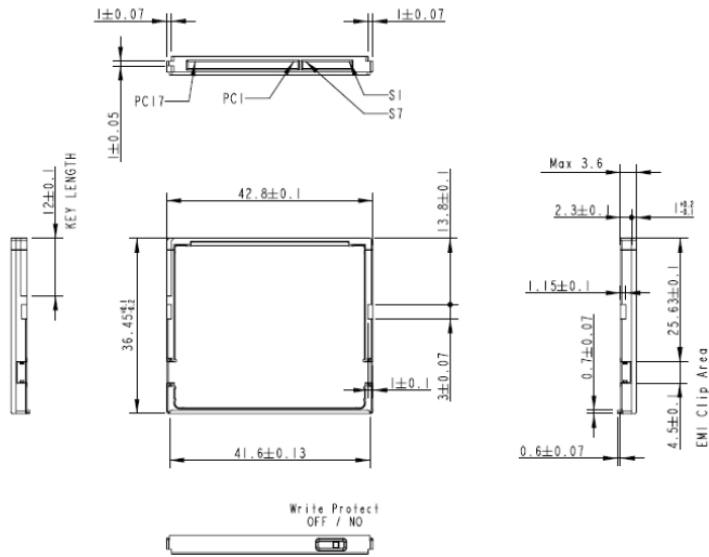
- Compliant with CFast 2.0 specifications
- Built-in ATA Secure Erase and S.M.A.R.T. Functions
- Advanced wear-leveling and Block Management
- Intelligent Power Failure Recovery
- DEVSLP Support (Optional)
- HW Write-Protect Switch (Optional)

Specifications

Model	CFast 2
Interface	SATA 3.0 (6Gb/s)
Connector	(7+17) pin male
Form Factor	CFast 3.0
NAND Flash Type	SLC
Capacity	4GB~64GB
External DRAM	NA
Sustained Read Performance (MB/sec)	Up to 285
Sustained Write Performance (MB/sec)	Up to 260
ECC Engine	Built-in 40-bit per 1K bytes BCH ECC
Standard Operating Temperature (°C)	0 ~ + 70
Extended Operating Temperature (°C)	-40 ~ + 85
Storage Temperature (°C)	-40 ~ + 100
Shock	Operating Shock: 50G, 11ms Non-operating Shock: 1500G, 0.5ms)
Vibration	Operating Vibration: 7.69 Grms, 20~2000 Hz/random (compliant with MIL-STD-810G) Non-operating Vibration: 15 Grms, 10~2000 Hz/sine (compliant with MIL-STD-810G)
Operating Voltage	3.3 V ± 5%
Power Consumption	Active mode: 500 mA & Idle mode: 90 mA
Dimension (L x W x H)	42.8 x 36.4 x 3.6 (mm)
MTBF (hours)	>2,000,000

Mechanical Specification

With Write Protect Switch



Unit: mm

For more information, contact your Apacer representative

Global Presence

Taiwan (Headquarters)
Apacer Technology Inc.
Tel: +886-2-2267-8000
Fax: +886-2-2267-2261

Europe
Apacer Technology B.V.
Tel: +31-40-267-0000
Fax: +31-40-290-0686

U.S.A.
Apacer Memory America, Inc.
Tel: +1-408-518-8699
Fax: 1-510-249-9551

China
Apacer Electronic(Shanghai)
Co., Ltd.
Tel: +86-21-6228-9939

Japan
Apacer Technology Corp.
Tel: +81-3-5419-2668
Fax: +81-3-5419-0018

India
Apacer Technologies Pvt. Ltd.
Tel: +91-80-41529061~3
Fax: +91-80-41700215