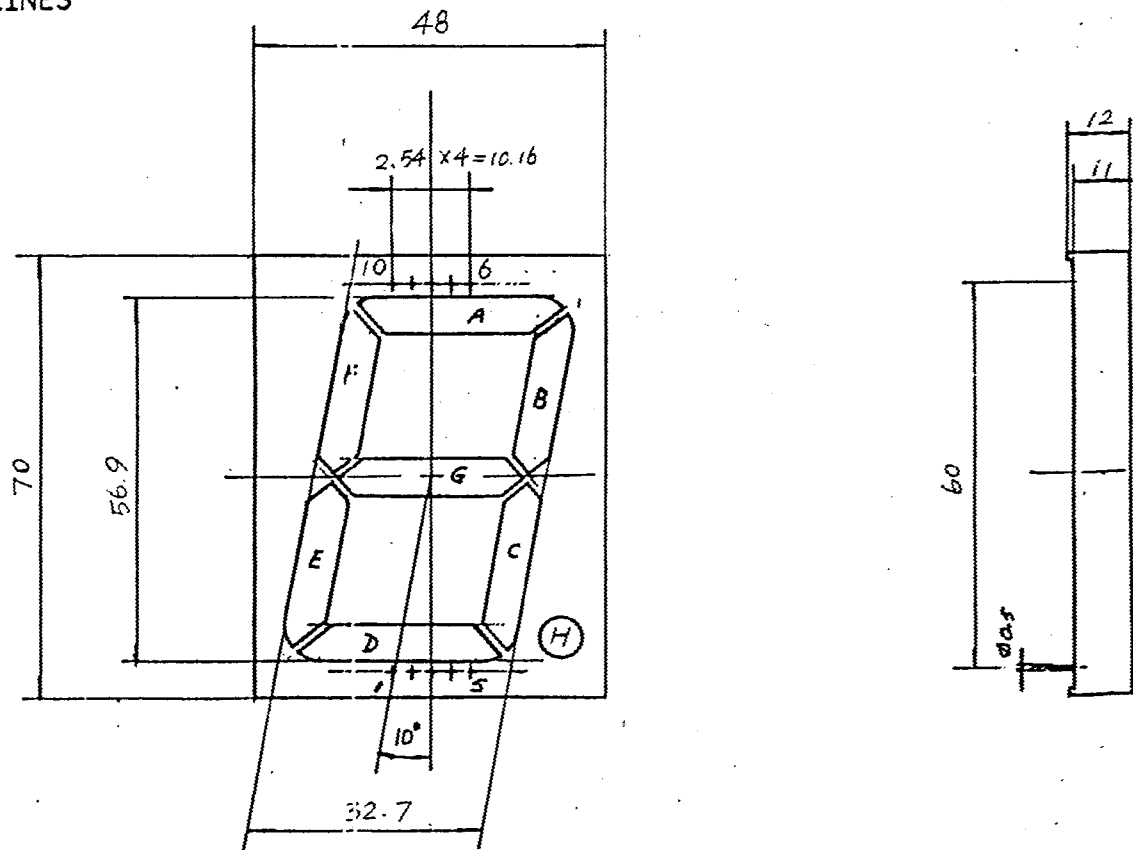


#### SEVEN SEGMENT NUMERIC DISPLAY

- High performance GaP, GaAsP or GaAlAs
- 2.3 inch character height
- Common anode (with suffix A), Common cathode (with suffix C)
- Solid state reliability - long operation life
- High contrast
- Wide angle viewing
- MU1231A/C - Orange GaAsP
- MG1231A/C - Green GaP
- MU1231A/C - High brightness red GaAlAs

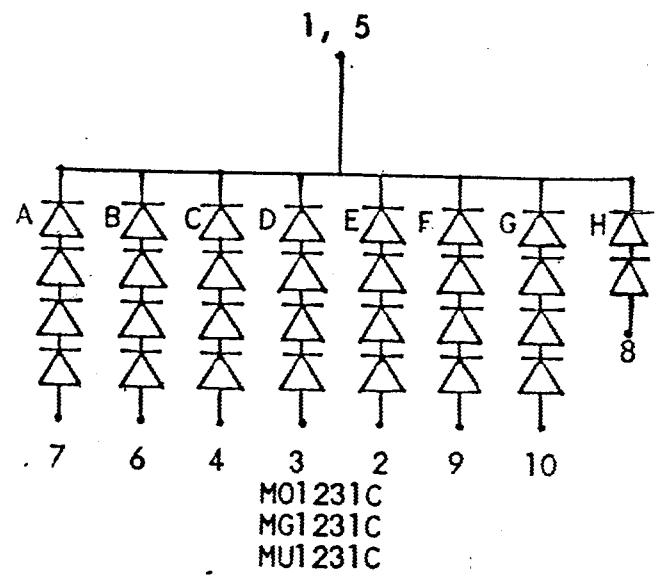
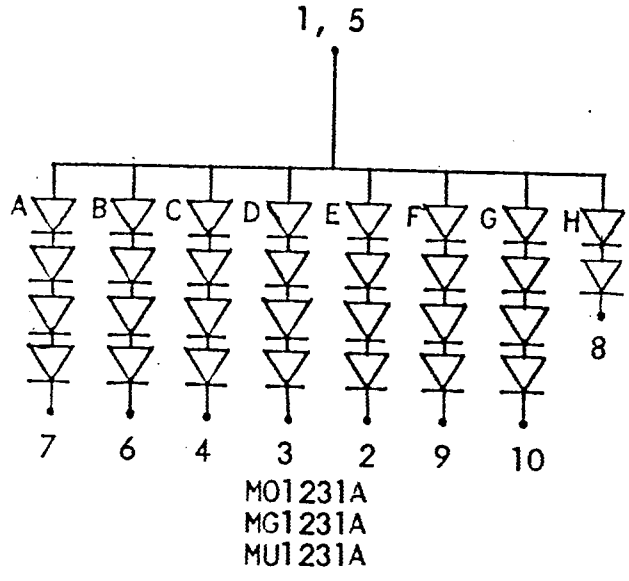
#### MECHANICAL OUTLINES



MICRO ELECTRONICS LTD. 美科有限公司

38 Hung To Road, Kwun Tong, Kowloon, Hong Kong. Cable: Microtron, Hong Kong. Telex: 43510 Micro Hx.  
P.O. Box 9477, Kwun Tong. Tel: 3-430181-6.

FAX: 3-410321



MAXIMUM RATINGS, PER SEGMENT ( $T_a=25^{\circ}\text{C}$ )

Reverse Voltage	VR	5V
Peak Forward Current/Segment	IF/Pulse*	200mA
Continuous Forward Current/Segment	IF/DC	30mA
Storage Temperature Range	Tstg	-20 to +85°C
Operating Temperature Range	Topr	-20 to +85°C

\* Pulse Test : Pulse Width = 1mS, Duty Ratio = 1/10.

CHARACTERISTICS PER SEGMENT ( $T_a=25^{\circ}\text{C}$ )

CHARACTERISTICS	SYMBOL	M01231	MG1231	MU1231	UNIT	CONDITIONS
Static Forward Voltage	VF	4X 3.0	4X 3.0	4X 2.4	V	IF=20mA
Luminous Intensity	IV	5.0	6.5	10	mcd	IF=10mA
Segment to Segment Luminous Intensity Ratio		2:1	2:1	2:1		IF=20mA
Wave Length at Peak Emission	$\lambda_p$	630	570	660	nm	IF=20mA
Spectral Half Width	$\Delta\lambda$	35	30	20	nm	IF=20mA