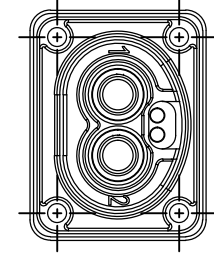
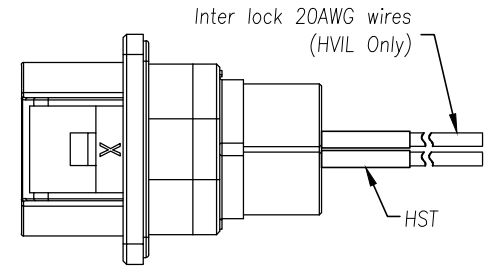
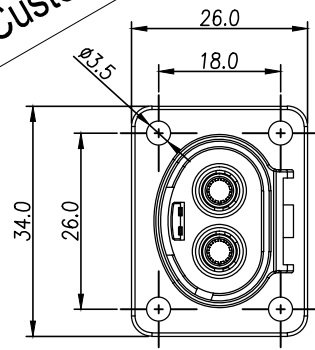
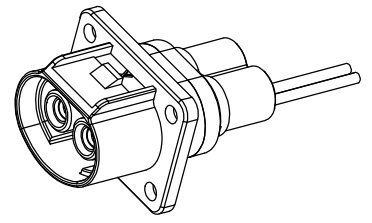


THIS DRAWING IS SUPPLIED FOR INFORMATION ONLY. DESIGN FEATURES, SPECIFICATIONS AND PERFORMANCE DATA SHOWN HEREON ARE THE PROPERTY OF THE AMPHENOL CORPORATION. NO RIGHTS OF REPRODUCTION ARE IMPLIED. ALL DIMENSIONS ARE SUBJECT TO NORMAL MANUFACTURING VARIATIONS.

Customer Drawing

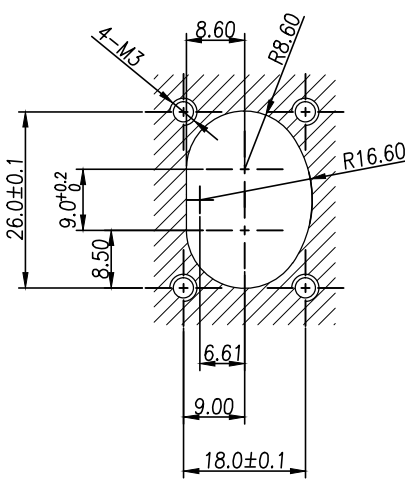
# 插座 - 非屏蔽 RCPT - UNSHIELDING CABLE

REVISIONS						
REV	ZONE	ECO	DESCRIPTION	DATE	BY	APPR
A	--	--	Updated Spec.	07/17/14	RW	EC
C	--	--	Change rear appearance	07/20/15	RW	EC
D	--	--	Add rib feature on the gasket. Add HST on HVL wire	08/20/15	RW	GX
E	--	--	Add key abridged general view	09/17/15	RW	GX

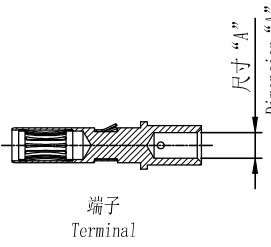
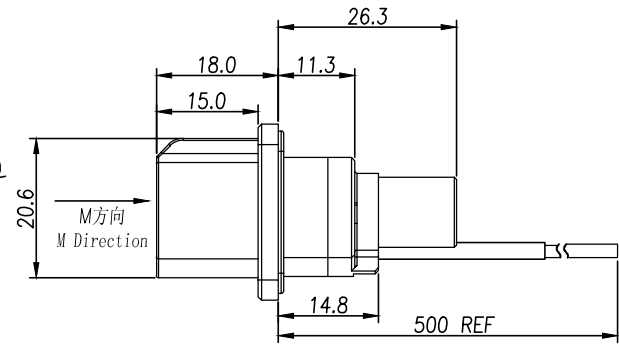


Standard Part List (With HVIL)

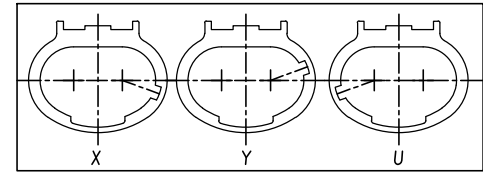
P/N	Model NO.	Dimension "A"	Accepted Wire
AC-HA000749	PL082X-61-2.5	Φ2.3mm	2.5mm <sup>2</sup> Unshielding wire
AC-HA000750	PL082Y-61-2.5		
AC-HA000751	PL082U-61-2.5		
AC-HA000752	PL082X-61-4	Φ3.0mm	4mm <sup>2</sup> Unshielding wire
AC-HA000753	PL082Y-61-4		
AC-HA000754	PL082U-61-4		
AC-HA000755	PL082X-61-6	Φ4.0mm	6mm <sup>2</sup> Unshielding wire
AC-HA000756	PL082Y-61-6		
AC-HA000757	PL082U-61-6		
AC-HA001082	PL082X-61-10	Φ4.5mm	10mm <sup>2</sup> Unshielding wire
AC-HA001083	PL082Y-61-10		
AC-HA001084	PL082U-61-10		



面板安装孔尺寸  
Panel Size



端子  
Terminal



M方向键位示意图  
Key Abridged General View of M Direction

Standard Part List (Without HVIL)

P/N	Model NO.	Dimension "A"	Accepted Wire Size
AC-HA000758	PL082X-60-2.5	Φ2.3mm	2.5mm <sup>2</sup> Unshielding wire
AC-HA000759	PL082Y-60-2.5		
AC-HA000760	PL082U-60-2.5		
AC-HA000761	PL082X-60-4	Φ3.0mm	4mm <sup>2</sup> Unshielding wire
AC-HA000762	PL082Y-60-4		
AC-HA000763	PL082U-60-4		
AC-HA000764	PL082X-60-6	Φ4.0mm	6mm <sup>2</sup> Unshielding wire
AC-HA000765	PL082Y-60-6		
AC-HA000766	PL082U-60-6		
AC-HA001085	PL082X-60-10	Φ4.5mm	10mm <sup>2</sup> Unshielding wire
AC-HA001086	PL082Y-60-10		
AC-HA001087	PL082U-60-10		

规格参数 (Spec.):

- 工作温度 Operating temperature: -40°C ~ +125°C.
- 额定电流 Current rating: 60 A.
- 额定电压 Operating voltage: 1000 VDC.
- 耐电压 Dielectric withstanding voltage: 5000 VDC.
- 防护等级 Protection class: IP67.
- 电磁屏蔽 Shielding.
- 机械寿命 Mating cycle: 500 Min.
- 带自动二次锁扣 Automatic secondary lock.
- 带高压互锁 Electrical interlock (HVIL).
- 接非屏蔽线 Accepted Unshielding Wire.
- 法兰盘螺丝安装扭矩 Screw Assembly Torque on Flange: 0.86 ± 20% Nm

### 订购信息 Ordering Information

PL08 2 X - 6 1 - 10

键位 Key "X" "Y" "U"	高压互锁 HVIL 0, 不带互锁 No HVIL 1, 带互锁 With HVIL	线缆大小 Cable Size "10"=10mm <sup>2</sup> (Unshielding) "6"=6mm <sup>2</sup> (Unshielding) "4"=4mm <sup>2</sup> (Unshielding) "2.5"=2.5mm <sup>2</sup> (Unshielding)
-----------------------------	--	---

	Amphenol Technical Products International GZ				
	第三角投影 THIRD ANGLE PROJECTION	页面 SHEET	幅面 SIZE	版次 REV.	比例 SCALE
签名 SIGNATURE	日期 DATE	UNLESS OTHERWISE SPECIFIED			DWG NO:
制图 DRAWN	RW	1) All dimensions are in metric (mm). 2) Tolerances are as follows:			PL082-60
审核 CHECKED	GX	0 PL DEC ±1.00 1 PL DEC ±0.50 2 PL DEC ±0.20			CUST PART #:
批准 APPROVAL	EC	Angles ±1°			N/A
					CUST REV.: