

Rack-mounted Power Transducers 17-RACK

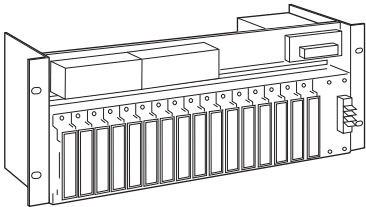
STANDARD RACK

Functions & Features

- Standard 19" rack for 17-RACK power transducers
- Output wiring formed collectively with the rack connector
- Line power supplied via the rear rack bus
- High-density mounting (16 positions)

Typical Applications

- Measuring receiving power and branch circuits in a power facility
- Measuring load currents at branch circuits intensively
- Centralized management system of a power facility by a computer.



MODEL: 17BXE-[1]-[2][3]

ORDERING INFORMATION

- Code number: 17BXE-[1]-[2][3]
- Specify a code from below for each [1] through [3].
(e.g. 17BXE-U1-R/W)

[1] CONNECTOR

- U1: Fujitsu FCN type I/O connector
- UT: Output terminal block

[2] POWER SUPPLY UNIT

AC Power

- K: 85 - 132 V AC
(Operational voltage range 85 - 132 V, 47 - 63 Hz)
- L: 170 - 264 V AC
(Operational voltage range 170 - 264 V, 47 - 63 Hz)

DC Power

- R: 24 V DC; no power supply unit
(Operational voltage range 24 V \pm 10 %, ripple 10 %p-p max.)
- P: 110 V DC
(Operational voltage range 85 - 150 V, ripple 10 %p-p max.)

[3] OPTIONS

Mounting Bracket

- blank: Rack mounting, standard
- /W: Surface mounting

RELATED PRODUCTS

- Connector terminal block (model: CNT)
- Special cable with 40-pin connector (model: FCN)

GENERAL SPECIFICATIONS

Construction: Metal plates assembly

Coating: Colored Zn-Cr

Capacity: 16 positions

Connection

Power input: M4 screw terminals (torque 0.8 N·m)

Output: Connector or M3.5 screw terminals (torque 0.8 N·m)

Screw terminal: Nickel-plated brass

Isolation: Output to power to FG

INSTALLATION

Power consumption

- AC: Approx. 100 VA
- DC: Approx. 70 W

Operating temperature: -5 to +55°C (23 to 131°F)

0 to 50°C (32 to 122°F) for with power supply unit

Operating humidity: 40 to 85 % RH (non-condensing)

Mounting: JIS or EIA standard rack or surface

Weight

Power Code R: 3.0 kg (6.6 lb)

Power Code K, L or P: 3.5 kg (7.7 lb)

PERFORMANCE

Insulation resistance: \geq 100 M Ω with 500 V DC

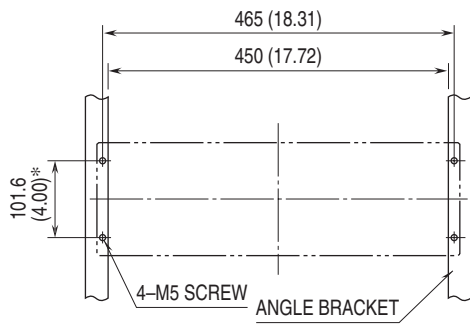
Dielectric strength: 2000 V AC @ 1 minute (output to power,

500V AC with power code R, 1500 V AC with power code K)

2000 V AC @ 1 minute (power to FG)

500 V AC @ 1 minute (output to FG)

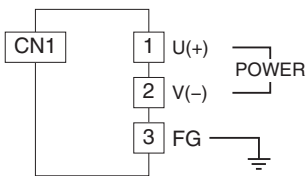
MOUNTING REQUIREMENTS unit: mm (inch)



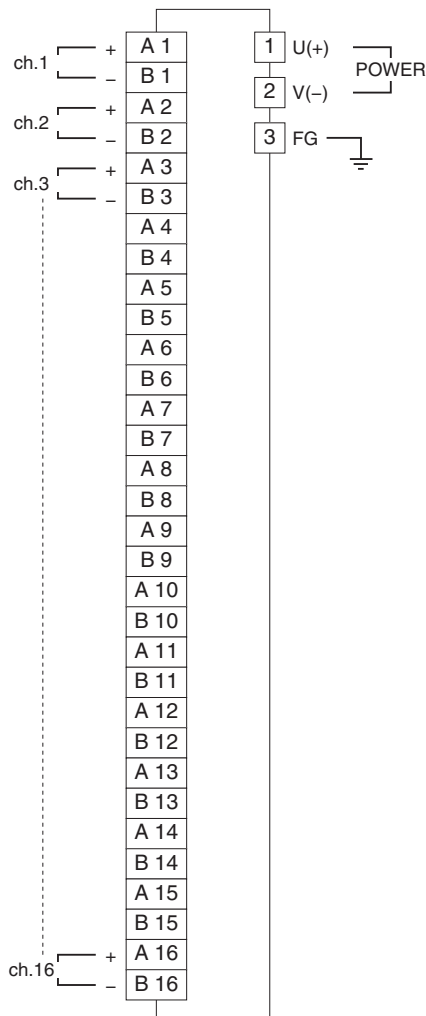
Observe an appropriate wiring space over and below.
*100 (3.94) for JIS standard

CONNECTION DIAGRAM

■ Fujitsu FCN type I/O connector



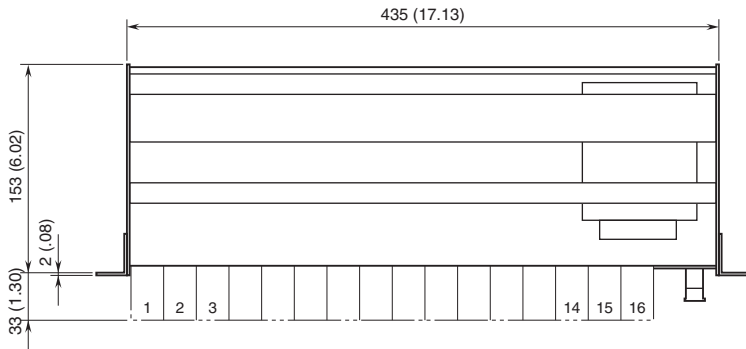
■ Output terminal block



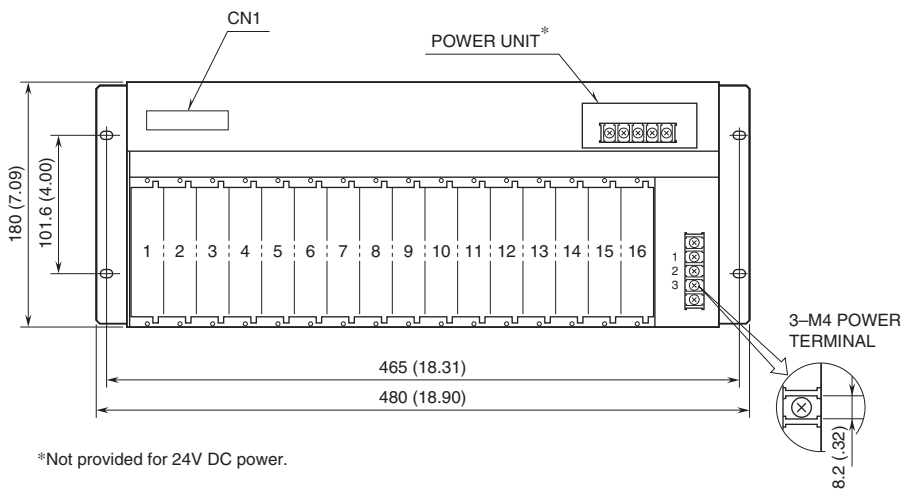
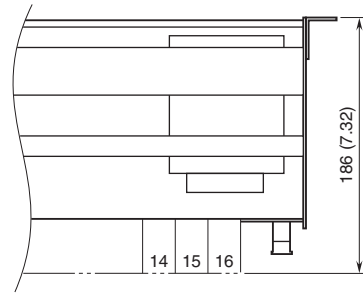
DIMENSIONS unit: mm (inch)

■ Fujitsu FCN type I/O connector

● RACK (standard)



● SURFACE (option /W)

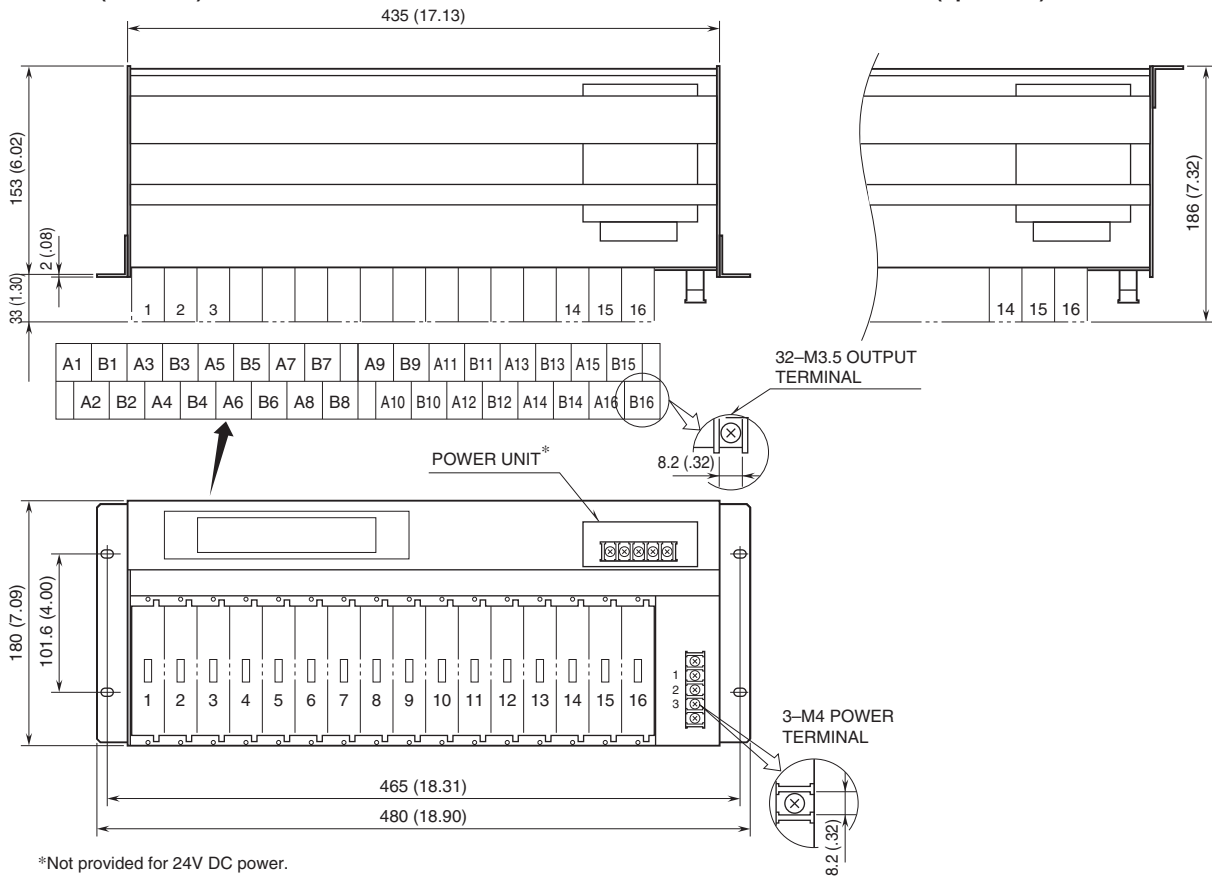


*Not provided for 24V DC power.

■ Output terminal block

● RACK (standard)

● SURFACE (option /W)



*Not provided for 24V DC power.

OUTPUT CONNECTOR

Location

Output connector: FCN40-pin connector
(Fujitsu FCN-364P040-AU)

CN1: output

PIN NO.	ASSIGNMENT	PIN NO.	ASSIGNMENT
A 1	ch. 1 +	B 1	ch. 1 -
A 2	ch. 2 +	B 2	ch. 2 -
A 3	ch. 3 +	B 3	ch. 3 -
A 4	ch. 4 +	B 4	ch. 4 -
A 5	ch. 5 +	B 5	ch. 5 -
A 6	ch. 6 +	B 6	ch. 6 -
A 7	ch. 7 +	B 7	ch. 7 -
A 8	ch. 8 +	B 8	ch. 8 -
A 9	ch. 9 +	B 9	ch. 9 -
A10	ch.10 +	B10	ch.10 -
A11	ch.11 +	B11	ch.11 -
A12	ch.12 +	B12	ch.12 -
A13	ch.13 +	B13	ch.13 -
A14	ch.14 +	B14	ch.14 -
A15	ch.15 +	B15	ch.15 -
A16	ch.16 +	B16	ch.16 -

A17 - A20, B17 - B20: Unused



Specifications are subject to change without notice.