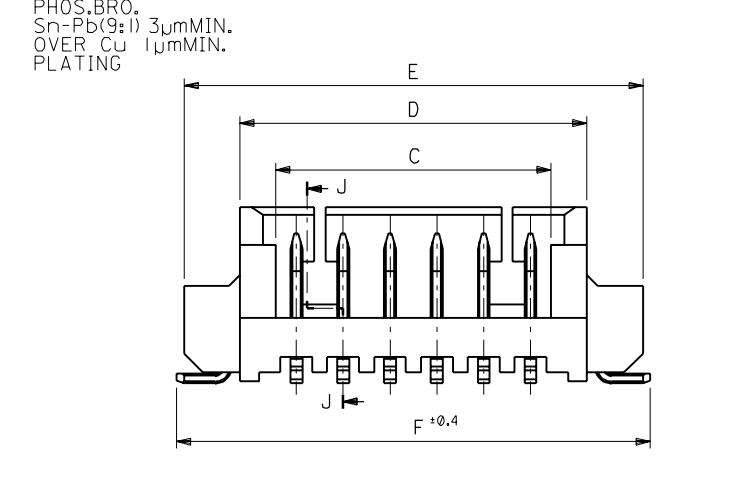
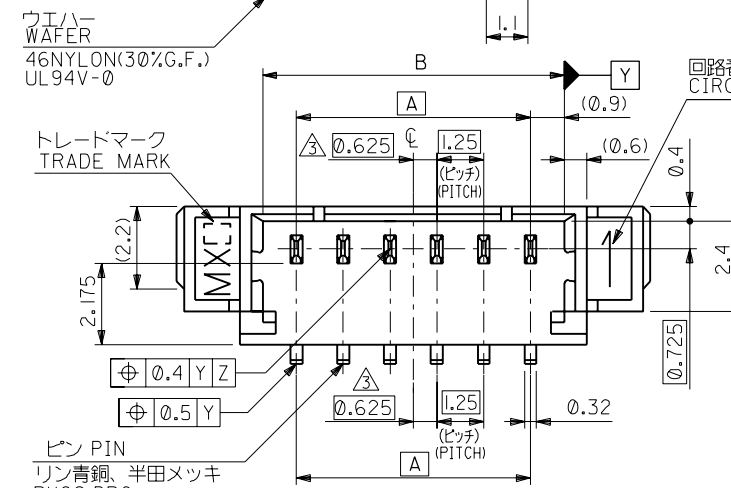
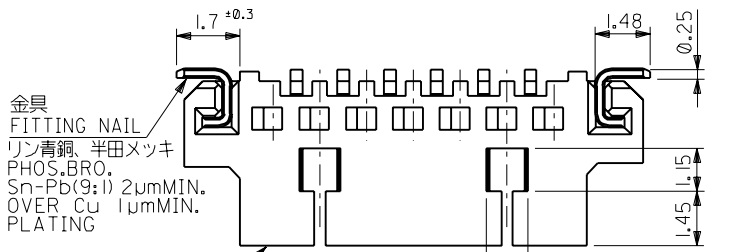


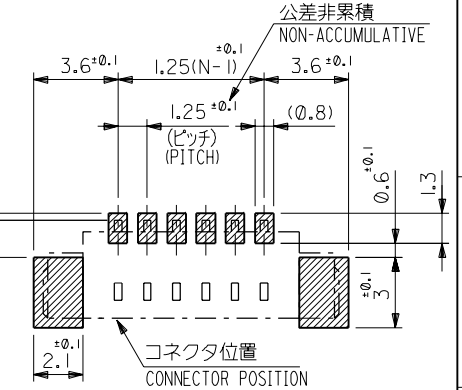
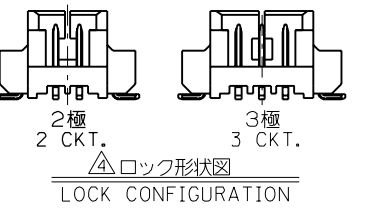
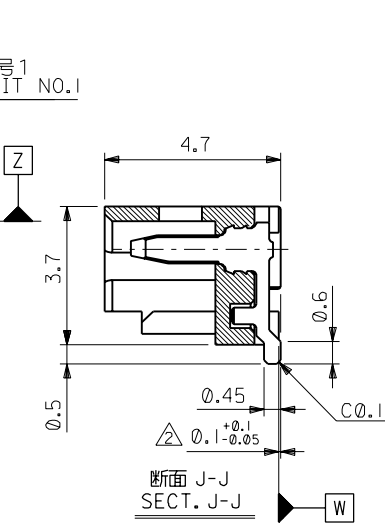
DWG. NO. SD-53398-**-10

DIMENSIONS IN METRIC DO NOT SCALE DRAWING



注記 NOTES

1. 嵌合相手: 51021 シリーズ MATE WITH : 51021 SERIES
- △ 水平面上においての、ウエハー底面 [W] とソルダーテール及びフィッティングネイル底面とのズレ量を示す。
MISALIGNMENT OF SOLDER TAIL & FITTING NAIL FROM [W]
- △ 偶数極のみ適用。APPLY EVEN CIRCUIT PRODUCTS.
- △ ロック窓は、2、3極は1ヶ所、4極以上は2ヶ所とする。
LOCKING WINDOW : ONE PLACE FOR 2&3 CKTS.
TWO PLACES FOR MORE THAN 4 CKTS.



23.9	23.5	20.5	18.6	19.3	17.5	53398-1510	15
22.65	22.25	19.25	17.35	18.05	16.25	↑ -1410	14
21.4	21	18	16.1	16.8	15	↑ -1310	13
20.15	19.75	16.75	14.85	15.55	13.75	↑ -1210	12
18.9	18.5	15.5	13.6	14.3	12.5	↑ -1110	11
17.65	17.25	14.25	12.35	13.05	11.25	↑ -1010	10
16.4	16	13	11.1	11.8	10	↑ -0910	9
15.15	14.75	11.75	9.85	10.55	8.75	↑ -0810	8
13.9	13.5	10.5	8.6	9.3	7.5	↑ -0710	7
12.65	12.25	9.25	7.35	8.05	6.25	↑ -0610	6
11.4	11	8	6.1	6.8	5	↑ -0510	5
10.15	9.75	6.75	4.85	5.55	3.75	↑ -0410	4
8.9	8.5	5.5	3.6	4.3	2.5	↑ -0310	3
7.65	7.25	4.25	2.35	3.05	1.25	↑ -0210	2
F	E	D	C	B	A	ENG. NO.	極数 NO. OF CKTS.

変更 REVISION	変更内容 REVISION RECORD	DR. CHK.	日付 DATE	材料 MATERIAL	図中参照 SEE DRAWING
F	変更 (J32000-0636)	K.K.	00/3/30	仕上げ FINISH	—
E	変更 (J300048)	H.J.	97/7/5	適用電線範囲 WIRE RANGE	—
D	変更 (J31030)	H.H.	93/10/13	被覆外径 INS. RANGE	—
C	変更 (J30753)	K.T.	93/7/29	DRAWN BY '92/10/12	CHK'D BY '00/3/30
B	変更 (J30610)	K.T.	93/6/18	K.TOJO	T.YAMAGUCHI
A	変更 (J30230)	H.H.	93/3/10	APP'D BY '00/3/30	M.FUKUSHIMA
0	新規作成 (J20942)	H.H.	92/10/12	尺度 SCALE	—

材料 MATERIAL 図中参照 SEE DRAWING

モレックス MOLEX-JAPAN CO.,LTD. 日本モレックス株式会社

REVISE ONLY ON CAD SYSTEM

TITLE 名称

1.25 WIRE TO BOARD CONN. WAFER ASS'Y FOR SMT (ST.)

DWG. NO. SD-53398-**-10

REV F

10 9 8 7 6 5 4 3 2 1

F

F

E

E

D

D

C

C

B


B

A

A

23.9	23.5	20.5	18.6	19.3	17.5	53398-1571	15
22.65	22.25	19.25	17.35	18.05	16.25	53398-1471	14
21.4	21	18	16.1	16.8	15	53398-1371	13
20.15	19.75	16.75	14.85	15.55	13.75	53398-1271	12
18.9	18.5	15.5	13.6	14.3	12.5	53398-1171	11
17.65	17.25	14.25	12.35	13.05	11.25	53398-1071	10
16.4	16	13	11.1	11.8	10	53398-0971	9
15.15	14.75	11.75	9.85	10.55	8.75	53398-0871	8
13.9	13.5	10.5	8.6	9.3	7.5	53398-0771	7
12.65	12.25	9.25	7.35	8.05	6.25	53398-0671	6
11.4	11	8	6.1	6.8	5	53398-0571	5
10.15	9.75	6.75	4.85	5.55	3.75	53398-0471	4
8.9	8.5	5.5	3.6	4.3	2.5	53398-0371	3
7.65	7.25	4.25	2.35	3.05	1.25	53398-0271	2
F	E	D	C	B	A	EMBOSSED TAPE PKG. (HIGH BARRIER PKG.) ORDER No.	種数 No. of &T's.

CONNECTOR SERIES NO. 53398-***19

REVISED EC NO: J2010-0213 DRWN:TKON 2009/09/25 CHKD:NUKITA 2009/09/25 APPR:NUKITA 2009/09/28	GENERAL TOLERANCES (UNLESS SPECIFIED)		DIMENSION STYLE MM ONLY	SCALE ---	DESIGN UNITS METRIC	THIRD ANGLE PROJECTION	
	10 UNDER	±0.2	DRAWN BY MNINOMIYA	DATE 04/02/06	TITLE 1.25 W/B CONN. ASS'Y FOR SMT(ST.) -LEAD FREE-		
	10 OVER 30 UNDER	±0.25	CHECKED BY KTOJO	DATE 04/02/06	 MOLEX INCORPORATED		
	30 OVER	±0.3	APPROVED BY MSASAO	DATE 04/02/06			
	ANGULAR ±3 °		MATERIAL NO.	SEE TABLE	DOCUMENT NO.	SD-53398-032	SHEET NO.
DRAFT WHERE APPLICABLE MUST REMAIN WITHIN DIMENSIONS		SIZE A3	THIS DRAWING CONTAINS INFORMATION THAT IS PROPRIETARY TO MOLEX INCORPORATED AND SHOULD NOT BE USED WITHOUT WRITTEN PERMISSION				

10 9 8 7 6 5 4 3 2 1

F

E

D

C

B

A

F

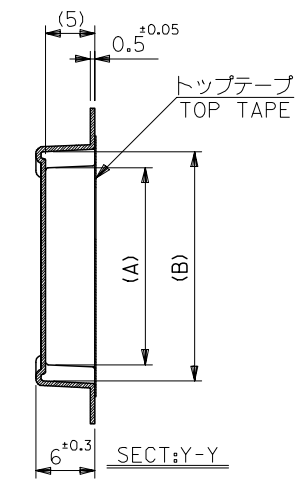
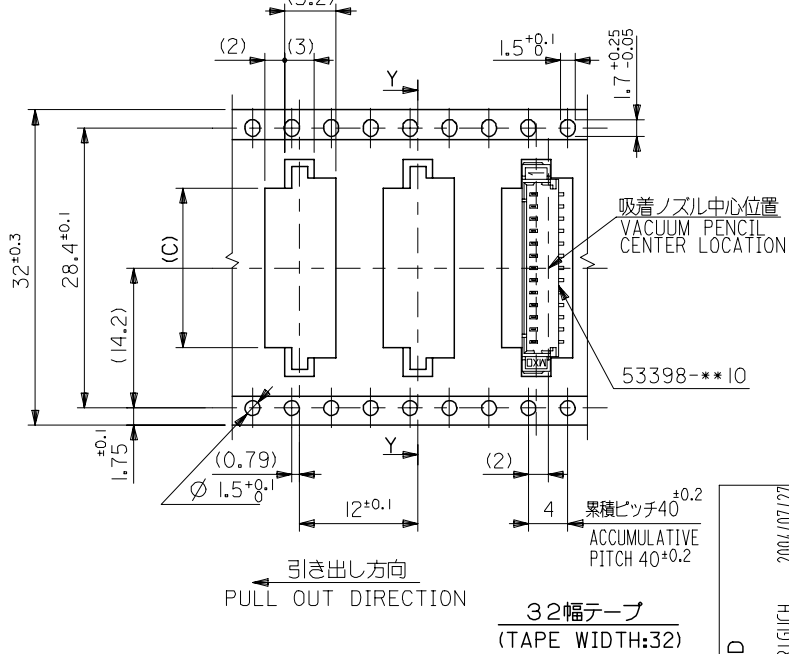
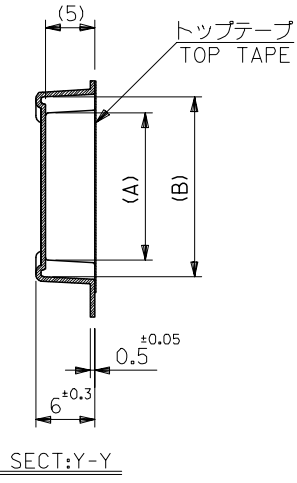
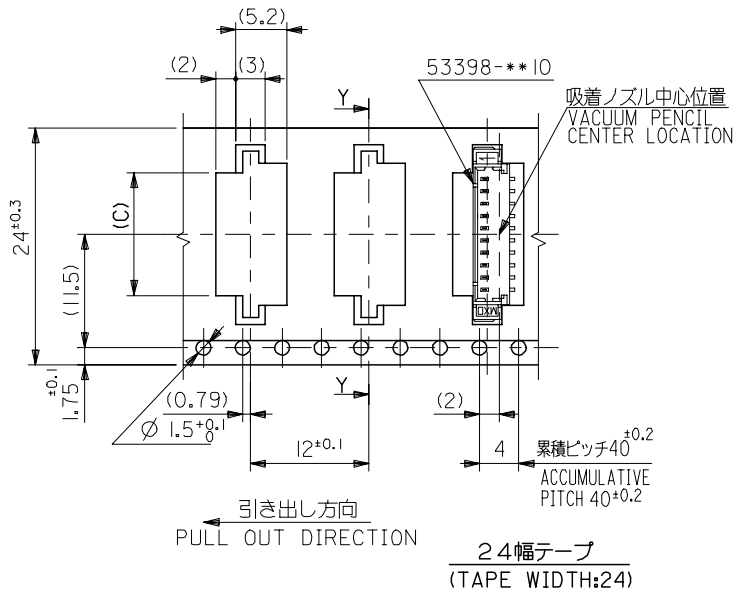
E

D

C

B

A



32	33.4	16.2	22	18.3	53398-1390	13
		14.95	20.75	17.05	-1290	12
24	25.4	13.7	19.5	15.8	-1190	11
		12.45	18.25	14.55	-1090	10
		11.2	17	13.3	-0990	9
		9.95	15.75	12.05	-0890	8
		8.7	14.5	10.8	-0790	7
		7.45	13.25	9.55	-0690	6
		6.2	12	8.3	-0590	5
		4.95	10.75	7.05	53398-0490	4
キャリアテープ幅 CARRIER TAPE WIDTH	D	(C)	(B)	(A)	ENG. NO.	種数 CKT.

REVISED EC NO: DRAWN:MERIGUCHI CHKD:K.ASAKAWA APP:R.S.ICHIKAWA REV	2004/07/27	2004/07/28	2004/07/30	GENERAL TOLERANCES (UNLESS SPECIFIED)		DIMENSION STYLE MM ONLY		SCALE ---	DESIGN UNITS METRIC	THIRD ANGLE PROJECTION
	10 UNDER			±0.2	DRAWN BY K. TOJO		DATE '93/04/13	TITLE 1.25 W/B CONN. WAFER ASS'Y FOR SMT. EMBOSSD TAPE PACKAGE		
	10 OVER 30 UNDER			±0.25	CHECKED BY YAMAGUCHI		DATE '00/12/08	APPROVED BY FUKUSHIMA		
	30 OVER			±0.3	APPROVED BY FUKUSHIMA		DATE '00/12/08	MATERIAL NO. SEE CHART		
	ANGULAR			±3 °	DRAFT WHERE APPLICABLE MUST REMAIN WITHIN DIMENSIONS		DOCUMENT NO. SD-53398-**90		SHEET NO. 2 OF 3	
SIZE A3 THIS DRAWING CONTAINS INFORMATION THAT IS PROPRIETARY TO MOLEX INCORPORATED AND SHOULD NOT BE USED WITHOUT WRITTEN PERMISSION										

10 9 8 7 6 5 4 3 2 1

F

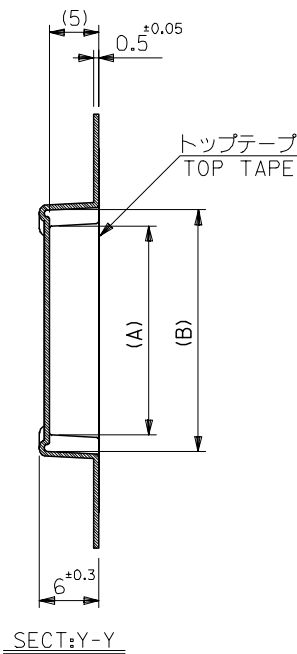
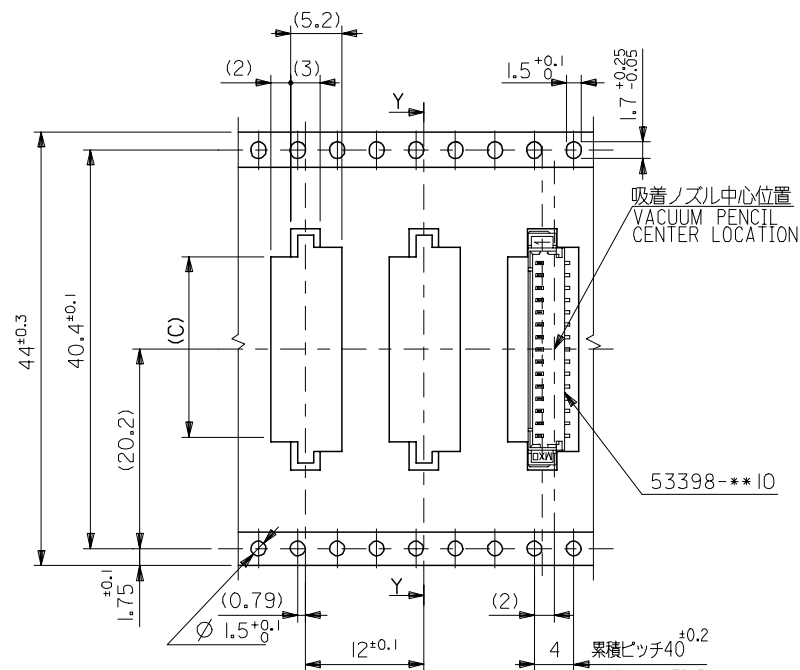
E

D

C

B

A



引き出し方向
PULL OUT DIRECTION

44幅テープ
(TAPE WIDTH:44)

44	45.4	18.7	24.5	20.8	53398-I590	I5
キャリアテープ幅 CARRIER TAPE WIDTH	D	(C)	(B)	(A)	ENG. NO.	種数 CKT.
		17.45	23.25	19.55	53398-I490	I4

REVISED EC NO: DRAWN:MERIGUCHI 2004/07/27 CHK:K.ASAKAWA 2004/07/28 APPR:S.ICHIKAWA 2004/07/30	GENERAL TOLERANCES (UNLESS SPECIFIED)		DIMENSION STYLE MM ONLY		SCALE ---	DESIGN UNITS METRIC	THIRD ANGLE PROJECTION
	10 UNDER	±0.2	DRAWN BY K. TOJO		DATE '93/04/13	TITLE 1.25 W/B CONN. WAFER ASS'Y FOR SMT. EMBOSSED TAPE PACKAGE	
	10 OVER 30 UNDER	±0.25	CHECKED BY YAMAGUCHI		DATE '00/12/08	MOLEX INCORPORATED	
	30 OVER	±0.3	APPROVED BY FUKUSHIM		DATE '00/12/08	SHEET NO. 3 OF 3	
	ANGULAR	±3 °	MATERIAL NO. SEE CHART		DOCUMENT NO. SD-53398-**90		
DRAFT WHERE APPLICABLE MUST REMAIN WITHIN DIMENSIONS		SIZE THIS DRAWING CONTAINS INFORMATION THAT IS PROPRIETARY TO MOLEX INCORPORATED AND SHOULD NOT BE USED WITHOUT WRITTEN PERMISSION					