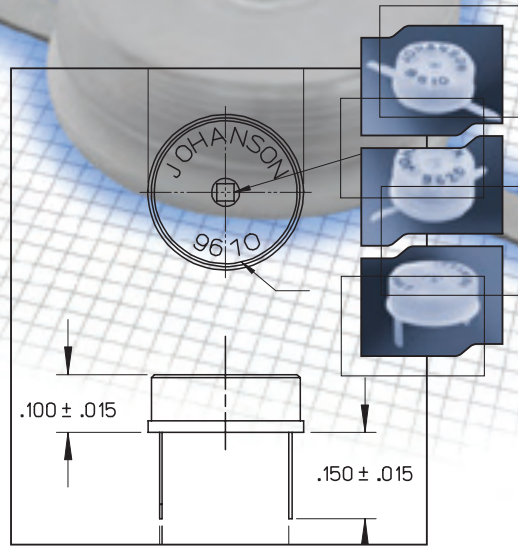


SEAL-TRIM

Our Seal-Trims are also built around the Thin-Trim capacitors. These capacitors are encased in a high performance polymer housing that is wave solderable and protects the trimmer from contamination.



APPLICATIONS

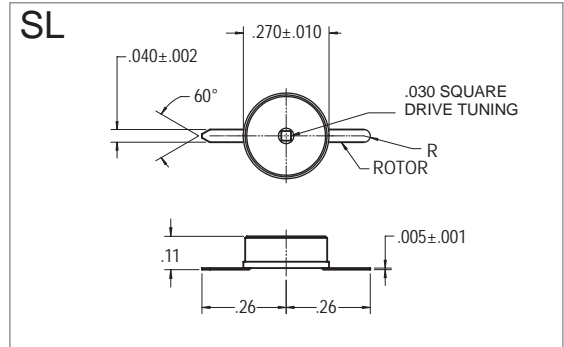
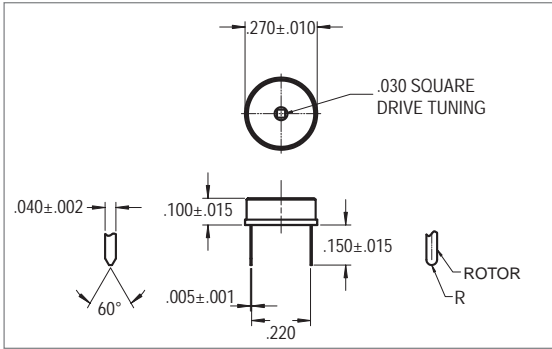
- RF amplifier
- LC Filters and Networks
- Broadband Wireless LAN
- Medical Devices
- Cordless and Cellular phones
- DR/Crystal Oscillator
- Microstrip line filters

CHARACTERISTICS

- Working Voltage: 250 VDC (500 VDC Test)
- Long Rotational life
- Insulation Resistance: $> 10^4$ M Ω
- Temperature Range: -55°C to +125°C
- RoHS Compliant parts available

| SERIES | DISK SIZE | CAPACITANCE AVAILABLE | TUNING RESOLUTION |
|-----------|-----------------|-----------------------|-------------------|
| 9610/9810 | .270" (6.86 mm) | 1 to 50 pF | 180° |
| 9620/9820 | .180" (4.57 mm) | .5 to 25 pF | 180° |

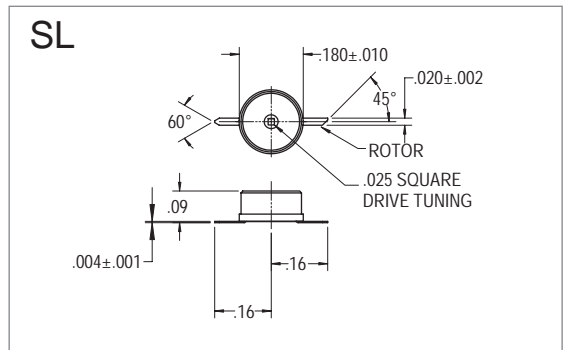
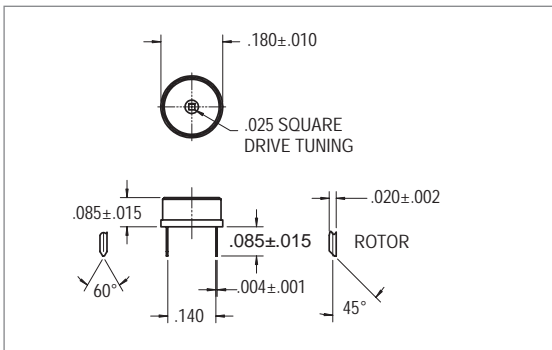
9610 SERIES TUNING TOOL: 4193



| JMC P/N | RANGE PF | MIN Q @ 100MHZ |
|---------|----------|-------------------|
| 9610 | 9610SL | 1.5 TO 4.5 >1000 |
| 9611 | 9611SL | 2.5 TO 10.0 >1000 |
| 9612 | 9612SL | 4.0 TO 18.0 >700 |
| 9613 | 9613SL | 6.0 TO 35.0 >200 |
| 9614 | 9614SL | 7.0 TO 40.0 >200 |
| 9615 | 9615SL | 5.0 TO 25.0 >200 |
| 9616 | 9616SL | 8.0 TO 50.0 >200 |

| ROHS | Pb | RANGE PF | MIN Q @ 100MHZ |
|------|--------|-------------------|----------------|
| 9810 | 9810SL | 1.5 TO 4.5 >1000 | |
| 9811 | 9811SL | 2.5 TO 10.0 >1000 | |
| 9812 | 9812SL | 4.0 TO 18.0 >700 | |
| 9813 | 9813SL | 6.0 TO 35.0 >200 | |
| 9814 | 9814SL | 7.0 TO 40.0 >200 | |
| 9815 | 9815SL | 5.0 TO 25.0 >200 | |
| 9816 | 9816SL | 10.5 TO 50.0 >200 | |

9620 SERIES TUNING TOOL: 4192



| JMC P/N | RANGE PF | MIN Q @ 100MHZ |
|---------|----------|-------------------|
| 9620 | 9620SL | 0.5 TO 2.5 >1000 |
| 9621 | 9621SL | 1.0 TO 5.0 >1000 |
| 9622 | 9622SL | 2.5 TO 10.0 >1000 |
| 9626 | 9626SL | 8.5 TO 25.0 >300 |
| 9628 | 9628SL | 5.0 TO 15.0 >750 |
| 9629 | 9629SL | 7.5 TO 18.0 >500 |

| ROHS | Pb | RANGE PF | MIN Q @ 100MHZ |
|------|--------|-------------------|----------------|
| 9820 | 9820SL | 0.5 TO 2.5 >1000 | |
| 9821 | 9821SL | 1.0 TO 5.0 >1000 | |
| 9822 | 9822SL | 2.5 TO 10.0 >1000 | |
| 9826 | 9826SL | 8.5 TO 25.0 >300 | |
| 9828 | 9828SL | 5.0 TO 15.0 >750 | |
| 9829 | 9829SL | 7.5 TO 18.0 >500 | |

