

PLEASE CHECK WWW.MOLEX.COM FOR LATEST PART INFORMATION

Part Number: [0353630760](#)
Status: **Active**
Overview: sherlock
Description: 2.00mm (.079") Pitch Sherlock™ Wire-to-Board Header, Right Angle, with Positive Lock, 7 Circuits, Lead-free

Documents:

[3D Model](#) [Product Specification PS-35507-003 \(PDF\)](#)
[Drawing \(PDF\)](#) [RoHS Certificate of Compliance \(PDF\)](#)

General

Product Family	PCB Headers
Series	35363
Application	Wire-to-Board
Overview	sherlock
Product Name	Sherlock™

Physical

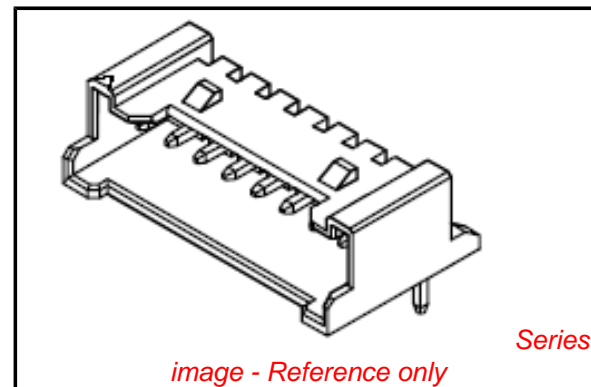
Breakaway	No
Circuits (Loaded)	7
Circuits (maximum)	7
Color - Resin	Natural
Durability (mating cycles max)	30
First Mate / Last Break	No
Glow-Wire Compliant	No
Guide to Mating Part	No
Keying to Mating Part	None
Lock to Mating Part	Yes
Material - Plating Mating	Tin
Material - Plating Termination	Tin
Material - Resin	Nylon
Number of Rows	1
Orientation	Right Angle
PC Tail Length (in)	0.126 In
PC Tail Length (mm)	3.20 mm
PCB Locator	No
PCB Retention	Yes
PCB Thickness Recommended (in)	0.062 In
PCB Thickness Recommended (mm)	1.60 mm
Packaging Type	Bag
Pitch - Mating Interface (in)	0.079 In
Pitch - Mating Interface (mm)	2.00 mm
Polarized to Mating Part	Yes
Polarized to PCB	No
Shrouded	Partial
Stackable	No
Surface Mount Compatible (SMC)	No
Temperature Range - Operating	-40°C to +105°C
Termination Interface: Style	Through Hole

Electrical

Current - Maximum per Contact	2A
Voltage - Maximum	125V

Material Info

Reference - Drawing Numbers



EU RoHS

ELV and RoHS Compliant
REACH SVHC
 Not Reviewed
Halogen-Free Status

China RoHS



Need more information on product environmental compliance?

Email productcompliance@molex.com
 For a multiple part number RoHS Certificate of Compliance, [click here](#)

Please visit the [Contact Us](#) section for any non-product compliance questions.

Search Parts in this Series

[35363Series](#)

Mates With

[35507 Sherlock™ Wire-to-Board Housing](#)

Packaging Specification
Product Specification

Sales Drawing

PK-35363-002
PS-35507-003, RPS-35507-005, RPS-35507-007,
RPS-35507-009, RPS-35507-010, RPS-35507-011
SD-35363-002

This document was generated on 05/24/2010

PLEASE CHECK WWW.MOLEX.COM FOR LATEST PART INFORMATION

LEAD FREE

DWG. NO. SD-35363-002

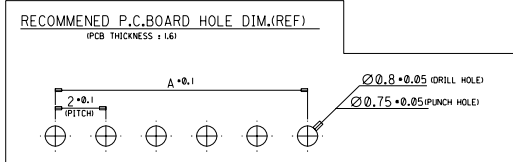
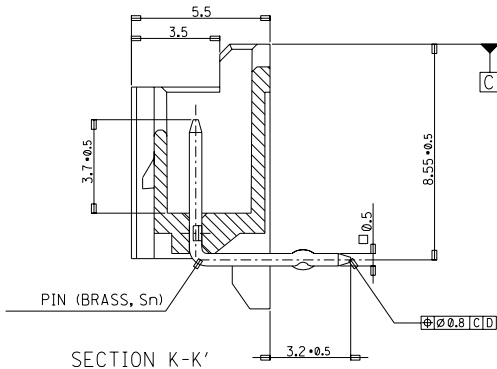
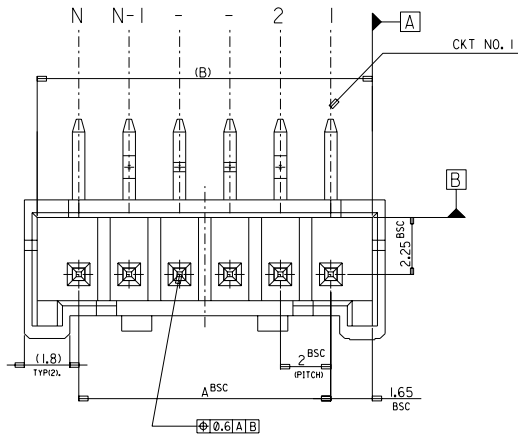
SIMILAR ITEM

PROJECT NO.

C

B

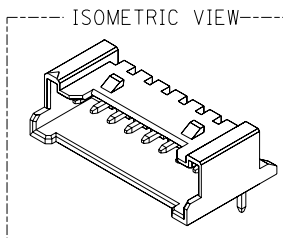
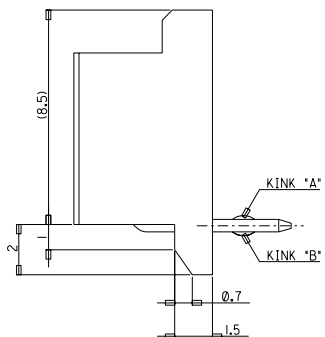
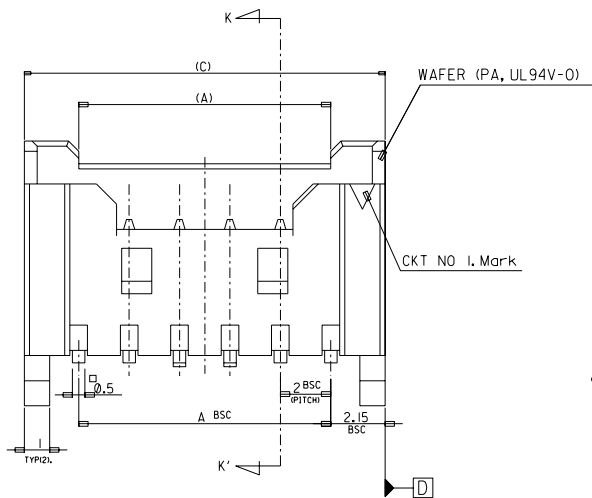
DO NOT SCALE DRAWING
DIMENSION IN METRIC



LEGEND

SD-35363-**-** 6 * COLOR

- Ø : NATURAL
- 1 : BLACK
- 2 : RED
- 3 : YELLOW
- 4 : BLUE
- 5 : GREEN



32.3	31.3	28	-156*	-156*	15
30.3	29.3	26	-146*	-146*	14
28.3	27.3	24	-136*	-136*	13
26.3	25.3	22	-126*	-126*	12
24.3	23.3	20	-116*	-116*	11
22.3	21.3	18	-106*	-106*	10
20.3	19.3	16	-096*	-096*	9
18.3	17.3	14	-086*	-086*	8
16.3	15.3	12	-076*	-076*	7
14.3	13.3	10	-066*	-066*	6
12.3	12.3	8	-056*	-056*	5
10.3	9.3	6	35363046*	35363-046*	4
(C)	(B)	A	MATERIAL NO.	ENG. NO.	CKT

NOTES

- MATERIAL : WAFER : POLYAMIDE(PA), NO GLASS, UL94V-0
PIN : BRASS
- FINISHES : TERMINAL : Sn 2*3um OVERALL
- PRODUCT SPECIFICATION : PS-35507-003
- MATING HOUSING : 35507-**-0*
MATING TERMINAL : 50212-8000
- KINK

CKT NO	1	2	3	4	5	N-2	N-1	N
6 CKT OVER	-	A	B	-	-	B	A	-
5 CKT	A	B	-	B	A	-	-	-
4 CKT	A	B	B	A	-	-	-	-

30 over	±0.3
10 over 30 under	±0.25
10 under	±0.2
ANGLE	±3°
GENERAL TOLERANCE	

Release	KOR2004-037
EC NO.	KOR2004-037
DRWN:	YSOOKIM 04/02/24
CHK:	JKOH
APPR:	CWLEE
DESCRIPTION	
REV	A

QUALITY SYMBOLS	
MAJOR	▲
CRITICAL	△

GENERAL TOLERANCES: (UNLESS SPECIFIED)	
4 PLACES	±0.1 mm / ±0.004 INCH
3 PLACES	±0.15 mm / ±0.006 INCH
2 PLACES	±0.2 mm / ±0.008 INCH
1 PLACE	±0.3 mm / ±0.012 INCH
ANGULAR:	±0.5°
DRAFT WHERE APPLICABLE MUST REMAIN WITHIN DIMENSIONS	

SCALE	1 : 1
DESIGN UNITS	<input checked="" type="checkbox"/> mm <input type="checkbox"/> INCH
DRAWN BY & DATE	YSOOKIM 96/09/11
CHECKED BY & DATE	J.K.Oh 96/09/11
APPROVED BY & DATE	C.W.Lee 96/09/11
CAD FILENAME	SD35363-002S1.DGN

DIMENSIONS:	<input type="checkbox"/> mm <input type="checkbox"/> INCH	SHT	REV
THIRD ANGLE PROJECTION	<input checked="" type="checkbox"/> mm ONLY		
TITLE:	NEW 2.0 W/B CONN WAFER ASSY (R/A) (LEAD FREE)		
MOLEX INCORPORATED			
MATERIAL NO.	DRAWING NO.	SHEET NO.	REV
SEE NOTE	SD-35363-002	1 OF 3	B
THIS DRAWING CONTAINS INFORMATION THAT IS PROPRIETARY TO MOLEX INCORPORATED AND SHOULD NOT BE USED WITHOUT WRITTEN PERMISSION.			

A

B

C

D

E

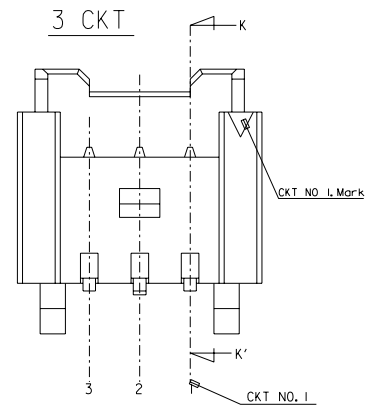
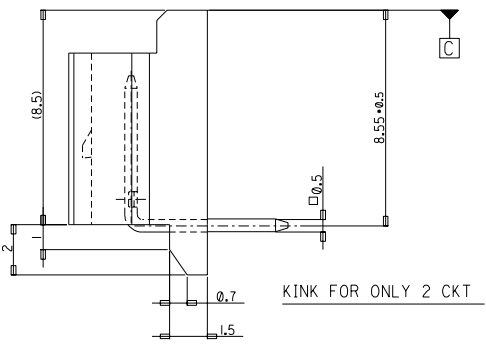
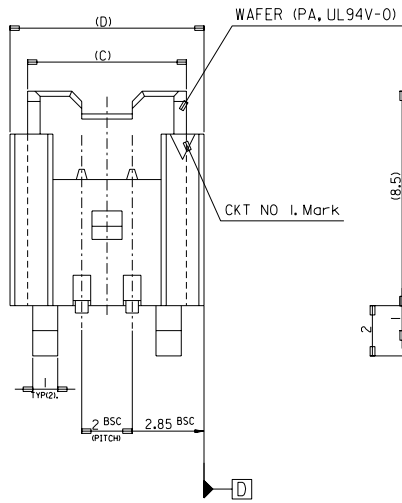
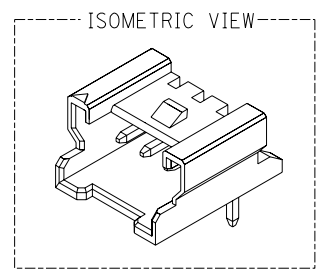
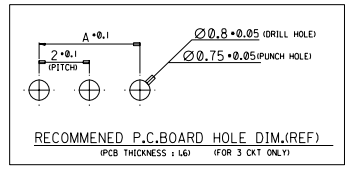
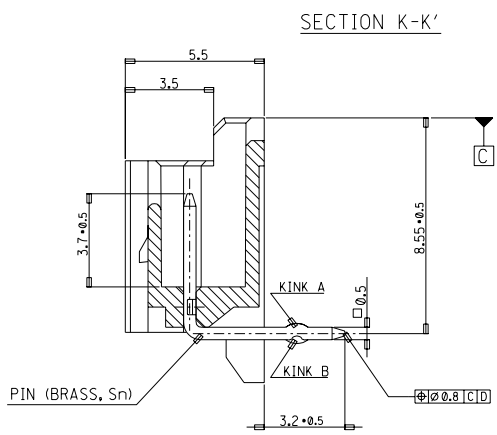
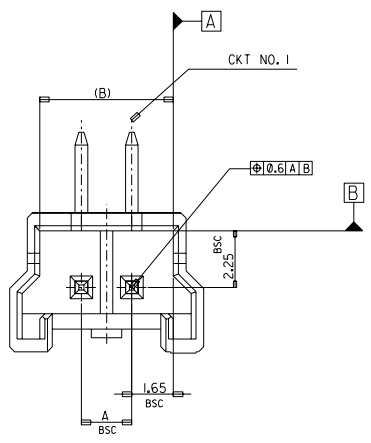
F

DWG. NO. SD-35363-002
 SIMILAR ITEM
 PROJECT NO.
 C
 B
 DO NOT SCALE DRAWING DIMENSION IN METRIC

8 7 6 5 4 3 2

LEAD FREE

FOR 2 & 3 CKTS.



LEGEND

SD-35363-***6* COLOR

- 0 : NATURAL
- 1 : BLACK
- 2 : RED
- 3 : YELLOW
- 4 : BLUE
- 5 : GREEN

9.7	8.3	7.3	4	35363036*	-036*	3
7.7	6.3	5.3	2	35363026*	35363-026*	2
(D)	(C)	(B)	A	MATERIAL NO.	ENG. NO.	CKT

- NOTES**
- MATERIAL : WAFER : POLYAMIDE(PA), NO GLASS, UL94V-0
PIN : BRASS
 - FINISHES : TERMINAL : Sn 2+3um OVERALL
 - PRODUCT SPECIFICATION : PS-35507-003
 - MATING HOUSING : 35507-***0*
MATING TERMINAL : 50212-8000
 - KINK

CKT NO	1	2	3
2 CKT	NONE	KINK	
3 CKT	A	B	A

30 over	+0.3
10 over 30 under	±0.25
10 under	±0.2
ANGLE	±3°
GENERAL TOLERANCE	A

Release
 EC NO. KOR2004-0137
 DRWN: YSOOKIM 04/02/24
 CHK: JKOH
 APPR: CWLEE

QUALITY SYMBOLS
 MAJOR
 CRITICAL
 DESCRIPTION
 REV

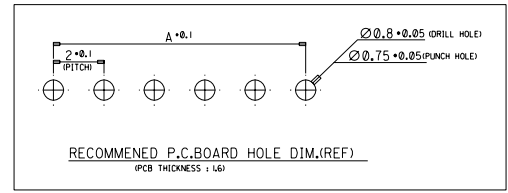
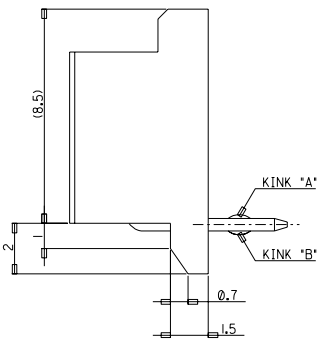
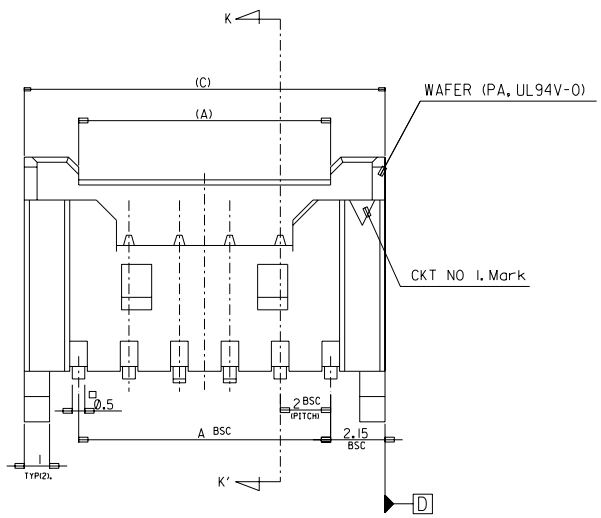
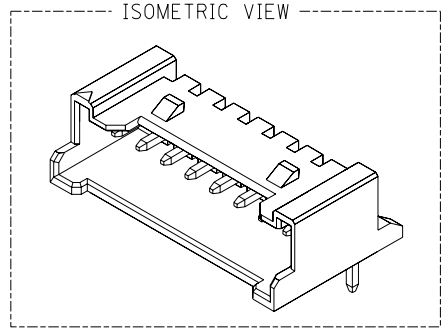
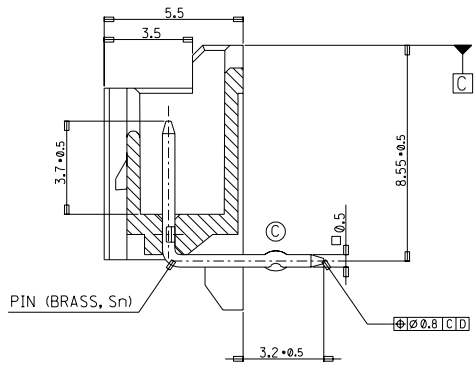
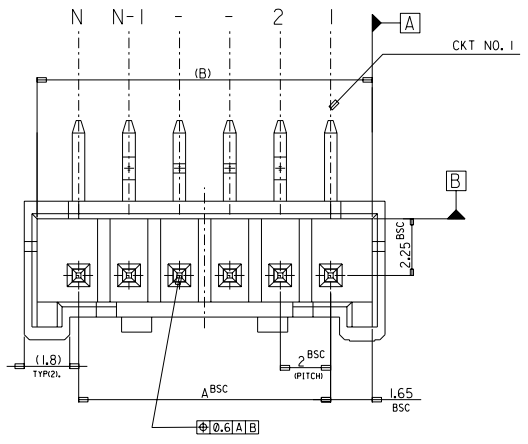
GENERAL TOLERANCES:
 (UNLESS SPECIFIED)
 mm INCH
 4 PLACES ±0. ±.
 3 PLACES ±0. ±.
 2 PLACES ±0. ±.
 1 PLACE ±0. ±.
 ANGULAR: ±

SCALE 1 : 1
 DESIGN UNITS mm INCH
 DRAWN BY & DATE
 YSOOKIM 96/09/11
 CHECKED BY & DATE
 J.K.Oh 96/09/11
 APPROVED BY & DATE
 C.W.Lee 96/09/11
 CAD FILENAME
 SD35363-001S2.DGN

DIMENSIONS:
 mm INCH mm ONLY
 SHT REV
 REVISE ON CAD ONLY
 TITLE:
 NEW 2.0 W/B CONN
 WAFER ASSY (R/A) (LEAD FREE)
 MOLEX INCORPORATED
 MATERIAL NO. SEE NOTE
 DRAWING NO. SD-35363-002
 SHEET NO. 2 OF 3
 THIS DRAWING CONTAINS INFORMATION THAT IS PROPRIETARY TO MOLEX INCORPORATED AND SHOULD NOT BE USED WITHOUT WRITTEN PERMISSION.
 SIZE B

8 7 6 5 4 3 2 MX-A3

LEAD FREE



LEGEND	
SD-35363-**6*	COLOR
0	NATURAL
1	BLACK
2	RED
3	YELLOW
4	BLUE
5	GREEN

42.3	41.3	38	35363206*	35363-206*	20
(C)	(B)	A	MATERIAL NO.	ENG. NO.	CKT

- NOTES
- MATERIAL : WAFER : POLYAMIDE(PA), NO GLASS, UL94V-0
PIN : BRASS
 - FINISHES : TERMINAL : Sn 2±3um OVERALL
 - PRODUCT SPECIFICATION : PS-35507-003
 - MATING HOUSING : 35507-**-0
MATING TERMINAL : 50212-8000
 - KINK

CKT	CKT NO	1	2	3	4	N-3	N-2	N-1	N
20	-	A	B	-	-	B	A	-	-

30 over	±0.3
10 over 30 under	±0.25
10 under	±0.2
ANGLE	±3°
GENERAL TOLERANCE	

Release	EC NO.	MAJOR	QUALITY SYMBOLS
KOR2004-0137		CRITICAL	
DRWN: YSOOKIM 04/02/24			
CHK: JKOH			
APPR: CWLEE			
REV	A		

GENERAL TOLERANCES: (UNLESS SPECIFIED)	SCALE 1:1	DESIGN UNITS
mm INCH	<input checked="" type="checkbox"/> mm <input type="checkbox"/> INCH	THIRD ANGLE PROJECTION
4 PLACES ±0.1		
3 PLACES ±0.1		
2 PLACES ±0.1		
1 PLACE ±0.1		
ANGULAR: ±		
DRAFT WHERE APPLICABLE MUST REMAIN WITHIN DIMENSIONS		

DRAWN BY & DATE	TITLE:
YSOOKIM 98/04/23	NEW 2.0 W/B CONN
CHECKED BY & DATE	WAFER ASSY (R/A) (LEAD FREE)
J.K.Oh 98/04/23	
APPROVED BY & DATE	MATERIAL NO.
C.W.Lee 98/04/23	SEE NO.
CAD FILENAME	DRAWING NO.
SD35363-002S3.DGN	SD-35363-002

DIMENSIONS:		SHT	REV
<input type="checkbox"/> mm <input type="checkbox"/> INCH	<input checked="" type="checkbox"/> mm ONLY		
MATERIAL NO.		SHEET NO.	REV
SEE NO.		3 OF 3	
DRAWING NO.		SIZE B	
SD-35363-002		MX-A3	

DO NOT SCALE DRAWING DIMENSION IN METRIC