



Wall Industries, Inc.

PSM Series
Open Frame
40~65 Watts Single Output
AC/DC Medical Power Supply

FEATURES

- Open Frame
- Single Output
- Universal AC Input: 90~264VAC
- Output Voltages from 5 to 52VDC
- Over Voltage/ Over Load/ Short Circuit Protected
- 4(L) x 2(W) x 1.18(H) inches (101.6 x 50.8 x 30 mm)



SPECIFICATIONS: PSM Series	
<p>All specifications are based on 25°C, Nominal Input Voltage, and Maximum Output Current unless otherwise noted. We reserve the right to change specifications based on technological advances.</p>	
INPUT SPECIFICATIONS	
Input Voltage	90 – 264VAC
Input Frequency	47 to 63Hz
Input Current	2A(rms) @ 115VAC
Inrush Current	< 40A @ 115VAC at 25°C cold start, < 80A @ 230VAC at 25°C cold start
OUTPUT SPECIFICATIONS	
Output Voltage	See Table
Output Power Range	65 Watts max with convection cooling.
Output Regulation	See table
Output Current	See Table
Ripple & Noise (20MHz BW)	1%
Hold-Up Time	10ms at max watt load and 115VAC nominal line.
Temperature Coefficient	All outputs ±0.04%/°C max.
PROTECTION	
Short Circuit Protection	Auto recover
Over Voltage Protection	Output 110% to 130% above following nominal output. Latching Type. AC recycle.
Over Load Protection	Over load protected @ 120% to 180% above following maximum rating. Auto recover.
GENERAL SPECIFICATIONS	
Efficiency	80% typical at full output
ENVIRONMENTAL SPECIFICATIONS	
Operating Temperature	0°C to +50°C ambient, each output derates at 2.5% per degree from +50°C to 70°C.
Humidity (non-condensing)	20% to 90%
Cooling	Free air convection
MTBF	100,000 hrs at full load and 25°C ambient.
PHYSICAL SPECIFICATIONS	
Weight	7oz
Dimensions	4(L) x 2(W) x 1.18(H) inches 101.6(L) x 50.8(W) x 30(H) mm
SAFETY & EMC	
Safety Standards	UL/cUL UL60601-1, TUV EN60601-1, CB IEC 60601-1
EMC Standards	EN60601-1-2, FCC Part 18 Class B, EN55011 Class B, CE

OUTPUT VOLTAGE / CURRENT RATING CHART

Model	Output Voltage Range	Preset Voltage	Max. Output Current (convection cooling)	Output Power	Output Regulation	Ripple & Noise
PSM040B-1Y050	5 - 7VDC	5VDC	8A	40W	5%	50mVp-p
PSM060B-1Y120	11-13VDC	12VDC	5A	60W	3%	120mVp-p
PSM060B-1Y150	14-17VDC	15VDC	4A	60W	3%	150mVp-p
PSM065B-1Y190	18-21VDC	19VDC	3.43A	65W	3%	190mVp-p
PSM065B-1Y240	22-26VDC	24VDC	2.71A	65W	3%	240mVp-p
PSM065B-1Y360	33-39VDC	36VDC	1.81A	65W	2%	360mVp-p
PSM065B-1Y480	44-52VDC	48VDC	1.36A	65W	2%	480mVp-p

NOTES

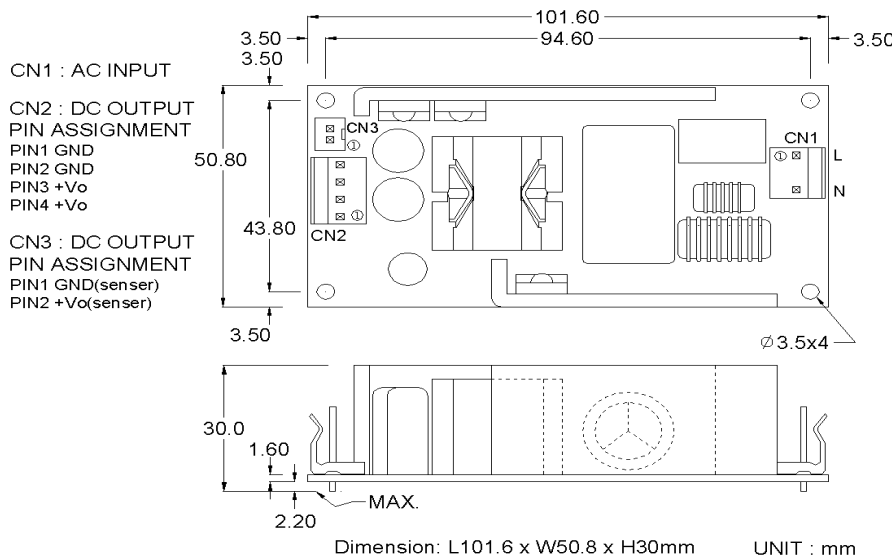
- At 25°C including initial tolerance, line voltage, load currents, and output voltages adjusted to factory settings.
- Ripple and Noise: Peak-to-peak with 20mHz bandwidth with a tantalum 10uF capacitor in parallel with a 0.1uF ceramic capacitor.
- Other DC outputs available for 40W (5 to 7V), 60W (11 to 13V and 14 to 17V), 65W (18 to 21V, 22 to 26V, 33 to 39V, and 44 to 52V), set at factory. To determine part numbers for output voltages not listed see the "Part Number Guide" table below.
- All output ranges are covered in agency certification and the preset voltage will be set as standard models. If any request is not standard output, please contact us prior to ordering.

Part Number Guide
PSM040B-1YW (5-7V)
PSM060B-1YX (11-13V)
PSM060B-1YX (14-17V)
PSM065B-1YZ (18-21V)
PSM065B-1YZ (22-26V)
PSM065B-1YZ (33-39V)
PSM065B-1YZ (44-52V)

W = 050-070
X = 110-170
Z = 180-520

Ex: For a 6V output the part number would be PSM040B-1Y060
 For a 12.2V output the part number would be PSM060B-1Y122
 For a 33.4V output the part number would be PSM065B-1Y334

MECHANICAL DRAWING



MATCHING CONNECTORS

CN1 = AC INPUT MOLEX P/N: 09-65-2029 (OR EQUIVALENT) FEMALE HOUSING MOLEX P/N: 09-76-1020 (OR EQUIVALENT)
 CN2 = DC OUTPUT MOLEX P/N: 09-65-2048 (OR EQUIVALENT) FEMALE HOUSING MOLEX P/N: 09-52-4044 (OR EQUIVALENT)