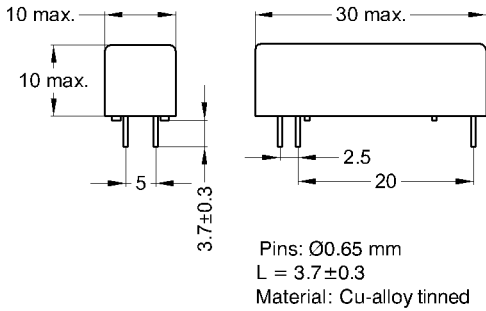
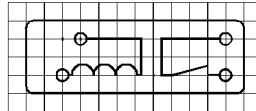


DIMENSIONS (mm)

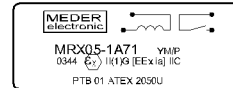


tolerances according to DIN ISO 2768 m

LAYOUT
 pitch 2.5 mm/Top view



MARKING



MEDER-Label
 Type/Layout
 Production code,
 EN60062/Factory code
 PTB 01 ATEX 2050U
 0344 (E2) II(1)G [EEx ia] IIC

Coil Data at 20 °C	Conditions	Min	Typ	Max	Unit
Coil voltage			5		VDC
Coil resistance		324	360	396	Ohm
Rated power			70		mW
Thermal resistance	max. Relay temperature = operating temperature + self heating		85		K/W
Inductance			73		mH
Pull-In voltage				3,8	VDC
Drop-Out voltage		1			VDC

Contact data 71	Conditions	Min	Typ	Max	Unit
Contact rating	Any DC combination of V & A not to exceed their individual max.'s			10	W
Switching voltage	DC or Peak AC			200	V
Switching current	DC or Peak AC			0,5	A
Carry current	DC or Peak AC			1,25	A
Contact resistance static	Measured with 40% overdrive Start Value			150	mOhm
Insulation resistance	RH <45 %, 100 V test voltage	1			TOhm
Breakdown voltage	according to IEC 255-5	300			VDC
Operate time incl. bounce	measured with 40% overdrive			0,5	ms
Release time	measured with no coil excitation			0,1	ms
Capacitance	@ 10 kHz across open switch		0,3		pF

Special Product Data	Conditions	Min	Typ	Max	Unit
Number of contacts				1	
Contact - form				A - NO	
Dielectric Strength Coil/Contact	according to EN 60255-5	2,5			kV AC
Insulation resistance Coil/Contact	RH <45%, 200 VDC measuring voltage	1			TOhm
Case color				grey	
Housing material				Polyamid	
Sealing compound				Polyurethan	
Connection pins				cu-alloy tinned	
Approval				PTB 01ATEX2050 U	
Reach / RoHS conformity				yes	

Environmental data	Conditions	Min	Typ	Max	Unit
Remarks					Reed-Relay to be used for the galvanic separation



Products for tomorrow...

Europe: +49 / 7731 8399 0 | Email: info@meder.com
USA: +1 / 508 295 0771 | Email: salesusa@meder.com
Asia: +852 / 2955 1682 | Email: salesasia@meder.com

Item No.:
8705171200
Item:
MRX05-1A71

Environmental data	Conditions	Min	Typ	Max	Unit
Remarks 1.		of intrinsically safe and non-intrinsically safe			
Remarks 2.		circuits with Ex-approval by PTB 01 ATEX 2050 U.			
Shock	1/2 sine, duration 11ms, in 3 axis			50	g
Vibration	from 10 - 2000 Hz			20	g
Operating temperature		-40		85	°C
Storage temperature		-55		125	°C
Soldering temperature	wave soldering max. 5 sec.			260	°C
Washability		fully sealed			

Modifications in the sense of technical progress are reserved

Designed at: 01.08.07 Designed by: WKOVACS
Last Change at: 08.11.11 Last Change by: WKOVACS

Approval at: 13.08.07 Approval by: KOLBRICH
Approval at: 08.11.11 Approval by: CRUF

Version: 05

Mouser Electronics

Authorized Distributor

Click to View Pricing, Inventory, Delivery & Lifecycle Information:

[Standex Electronics:](#)

[MRX05-1A71](#)