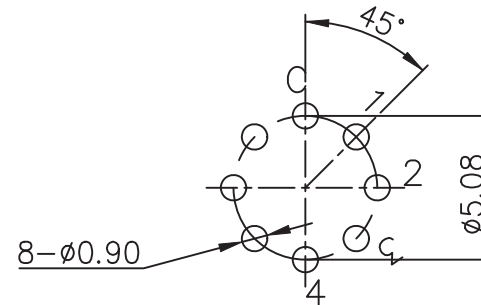
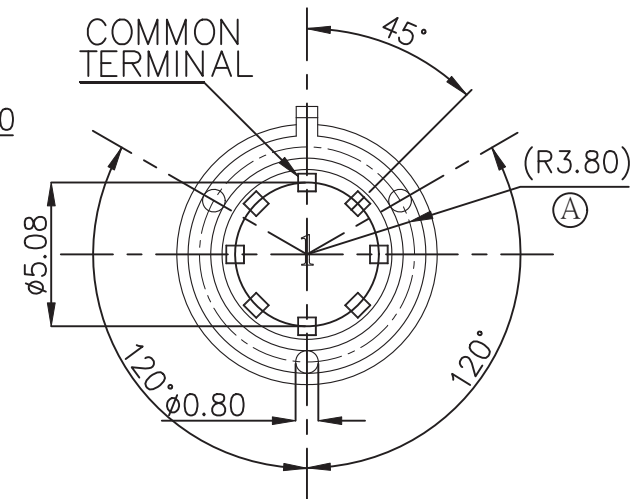
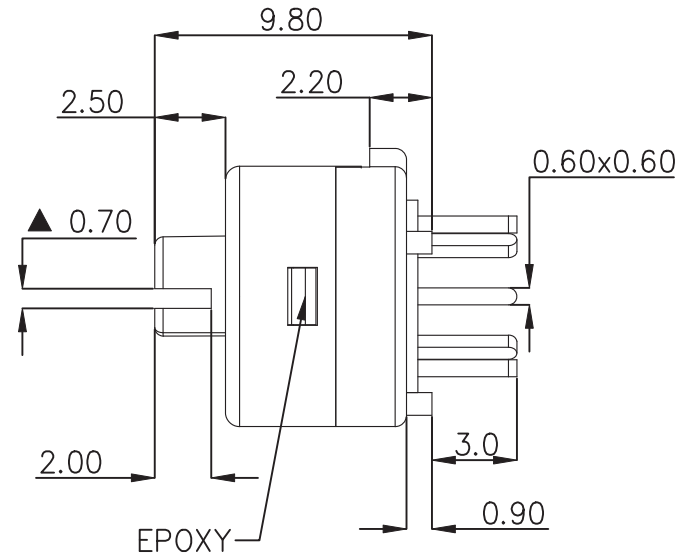
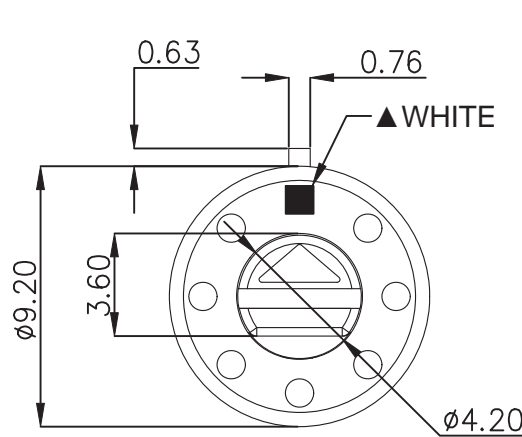


本公司智慧財產，未經同意不得複製  
DAILYWELL copyright, may not be used  
without permission from DAILYWELL



P.C.B. LAYOUT

TRAVEL	SWITCH POSITION
0°	C-C(OFF)
45°	C-1
90°	C-2
135°	C-3
180°	C-4

**SPECIFICATIONS**

ELECTRICAL RATING: 0.5A 24VDC; 0.2A 48VDC  
CONTACT RESISTANCE: 100 mΩ MAX.  
INSULATION RESISTANCE: 100 MΩ MIN. 500VDC  
DIELECTRIC STRENGTH: 500VAC for 1 minute  
OPERATING FORCE: 350±150g  
OPERATING LIFE: 2,000 cycles  
OPERATING TEMPERATURE RANGE : -20°C ~ 70°C

MATERIAL  
HOUSING: NYLON 6/6  
BASE: LCP  
ACTUATOR: NYLON 6/6  
TERMINAL: Brass gold plating.  
RoHS & Lead Free

**德利威電子股份有限公司**  
DAILYWELL ELECTRONICS CO.,LTD.

符號	原尺寸	修改後尺寸	變更日期
1 (A)	增加中心點至定位柱尺寸3.80		AUG-24-2015
2 (B)			
3 (C)			
4 (D)			
5 (E)			

SCALE (比例) : 4 : 1  
TOLERANCE (公差) :  
0.00 mm ± 0.25mm  
0.0 mm ± 0.40mm  
ANGULAR : ± 5°  
FILE NAME : RT0049

TITLE 圖名	ROTARY SWITCH			SIZE 圖紙	A4
DWG NO. 圖號	RT-0C4-D			UNIT 單位	mm
REV. 版本	B	DATE 日期	OCT - 25 - 2012	SHEET 張數	1 of 1
CHECKED BY 審核	RICHARD		DRAWN BY 製圖	IRENE	