

## SMD INDUCTOR DR331-4 SERIES

### Features

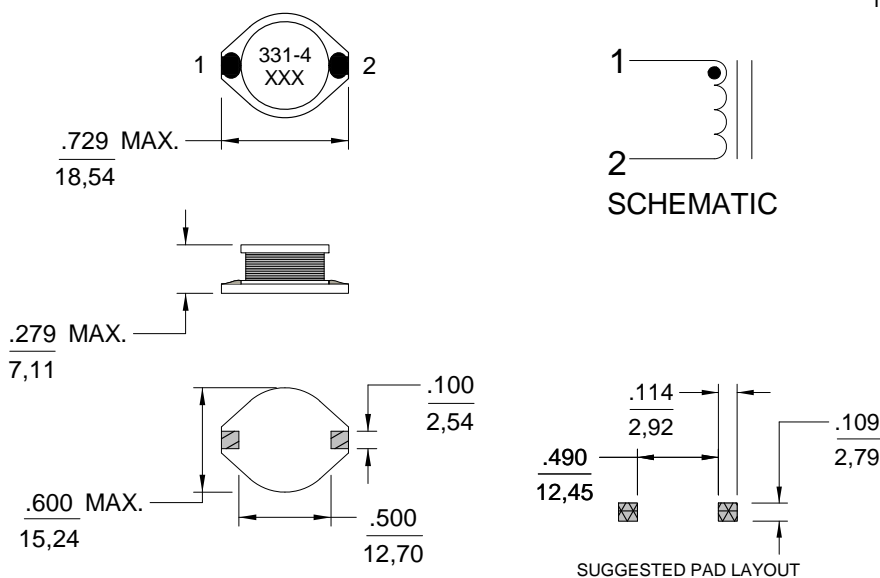
- Low Profile Surface Mount Design
- Inductance Range from 1.0 $\mu$ H to 1000 $\mu$ H
- Operating Temp. -40°C to +85°C
- Tinned Leads with Leaded Solder is Available (note 8)



### ELECTRICAL SPECIFICATIONS 25°C

| Part No.    | Inductance ( $\mu$ H)<br>$\pm 20\%$ | DCR<br>( $\Omega$ ) Max. | I rms (A)<br>Max. (Note 3) | I sat (A)<br>Max. (Note 2) | SRF<br>(MHz) REF. |
|-------------|-------------------------------------|--------------------------|----------------------------|----------------------------|-------------------|
| DR331-4-102 | 1                                   | 0.009                    | 8.6                        | 20                         | 80                |
| DR331-4-222 | 2.2                                 | 0.014                    | 7.1                        | 16                         | 80                |
| DR331-4-332 | 3.3                                 | 0.018                    | 6.2                        | 14                         | 60                |
| DR331-4-562 | 5.6                                 | 0.020                    | 5.3                        | 12                         | 40                |
| DR331-4-103 | 10                                  | 0.031                    | 4.3                        | 10                         | 30                |
| DR331-4-153 | 15                                  | 0.036                    | 4                          | 8                          | 22                |
| DR331-4-223 | 22                                  | 0.047                    | 3.5                        | 7                          | 20                |
| DR331-4-333 | 33                                  | 0.066                    | 3                          | 5.5                        | 15                |
| DR331-4-473 | 47                                  | 0.086                    | 2.6                        | 4.5                        | 9.0               |
| DR331-4-683 | 68                                  | 0.13                     | 2.3                        | 3.5                        | 8.0               |
| DR331-4-104 | 100                                 | 0.19                     | 1.8                        | 3                          | 7.0               |
| DR331-4-154 | 150                                 | 0.25                     | 1.5                        | 2.6                        | 6.0               |
| DR331-4-224 | 220                                 | 0.38                     | 1.2                        | 2.4                        | 5.0               |
| DR331-4-334 | 330                                 | 0.56                     | 1.0                        | 1.9                        | 4.0               |
| DR331-4-474 | 470                                 | 0.85                     | 0.82                       | 1.4                        | 3.0               |
| DR331-4-684 | 680                                 | 1.1                      | 0.72                       | 1.2                        | 2.5               |
| DR331-4-105 | 1000                                | 1.8                      | 0.56                       | 1.0                        | 2.0               |

### MECHANICAL SPECIFICATIONS



### NOTES:

1. Dimensions are shown in inches/millimeters  
Unless otherwise specified, tolerance  
= Inches:  $\pm 0.010$   
= Millimeters:  $\pm 0.25$
2. Isat based on the inductance being 90% of its initial value
3. Irms based on temperature rise of 40°C
4. Tape & Reel Packaging, 400 pcs / reel.
5. Inductance tested at 0.1 Vrms @ 100 kHz
6. Terminal finish is compliant to RoHS requirements
7. Solder in accordance with J-STD-002 Rev. D
8. Non-RoHS series parts 42-331-4-XXX are finished with leaded solder Sn60Pb40 or equivalent