



General Specifications

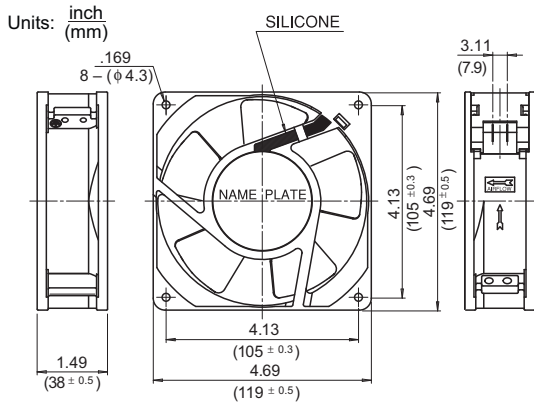
- Motor Protection:** Impedance Protect
- Motor Structure:** Shaded Pole Induction Motor
- Insulation Resistance:** 100M Ω or over with a DC500V Megger
- Dielectric Withstand Voltage:** AC 1800V 3s
- Allowable Ambient Temperature Range:**
 - 10°C ~ +60°C (Operating)
 - 40°C ~ +70°C (Storage)
 - (non-condensing environment)

Expected Life

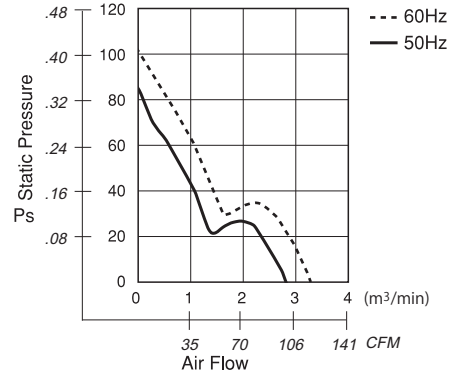
Failure Rate: 10%
25°C 50,000 Hours



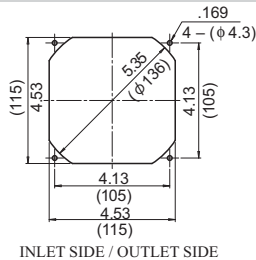
Outline



Characteristic Curves



Panel Cut-outs



Material

- Casing : Aluminum
- Impeller : Steel
- Bearing : Ball Bearings
- Terminal: Faston #110 or Equiv

Specifications

| MODEL | Rated Voltage | Frequency | Starting Voltage | Current | Input Power | Speed | Max. Air Flow | Max. Static Pressure | Noise | Mass |
|--------------------|---------------|-----------|------------------|-------------------|-------------|------------------------------------|---|--|--------------------|------|
| | (V) | (Hz) | (V) | (A) ^{*1} | (W)+10/-20% | (min ⁻¹) ^{*3} | (CFM) ^{*2} (m ³ /min) ^{*2} | (in H ₂ O) ^{*2} (Pa) ^{*2} | (dB) ^{*2} | (g) |
| 4715TS-10T-B50-BM0 | 100 | 50 | 65 | 0.45 | 20.0 | 2600 | 98.84 2.80 | .352 88.0 | 46.0 | 650 |
| | | | | 0.34 | 17.0 | 3100 | 116.49 3.30 | .400 100.0 | 50.0 | |
| 4715TS-12T-B50-AM0 | 115 | 50 | 75 | 0.39 | 21.0 | 2600 | 98.84 2.80 | .352 88.0 | 46.0 | |
| | | | | 0.30 | 17.0 | 3100 | 116.49 3.30 | .400 100.0 | 50.0 | |
| 4715TS-20T-B50-BM0 | 200 | 50 | 130 | 0.22 | 21.0 | 2600 | 98.84 2.80 | .352 88.0 | 46.0 | |
| | | | | 0.17 | 17.0 | 3100 | 116.49 3.30 | .400 100.0 | 50.0 | |
| 4715TS-22T-B50-BM0 | 220 | 50 | 145 | 0.20 | 20.0 | 2600 | 98.84 2.80 | .352 88.0 | 46.0 | |
| | | | | 0.15 | 17.0 | 3100 | 116.49 3.30 | .400 100.0 | 50.0 | |
| 4715TS-23T-B50-AM0 | 230 | 50 | 175 | 0.19 | 21.0 | 2600 | 98.84 2.80 | .352 88.0 | 46.0 | |
| | | | | 0.14 | 17.0 | 3100 | 116.49 3.30 | .400 100.0 | 50.0 | |
| 4715TS-24T-B50-AM0 | 240 | 50 | 175 | 0.18 | 20.0 | 2600 | 98.84 2.80 | .352 88.0 | 46.0 | |
| | | | | 0.14 | 17.0 | 3100 | 116.49 3.30 | .400 100.0 | 50.0 | |

Rotation: Counterclockwise as seen from the label side.
Airflow Outlet: Label side

*1: Maximum Values in Free Air

*3: Minimum Values in Free Air

*2: Average Values in Free Air

