

6

5

4

3




2

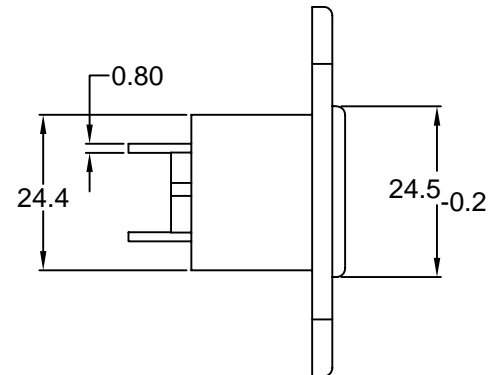
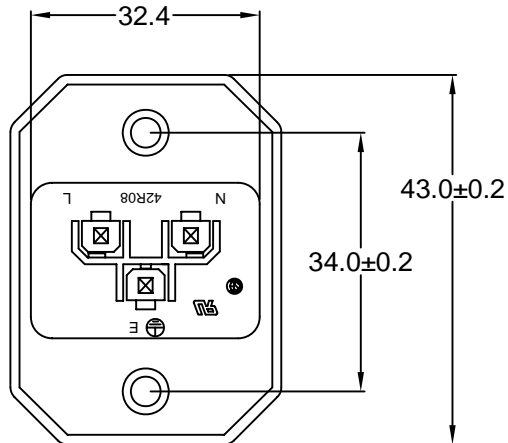
1

MATERIAL AND FINISH:

Insulator: Polycarbonate, UL-94V-0 rated
Contacts: Brass, Nickel plated

ELECTRICAL SPECIFICATIONS:

Current rating: 16 A 
Voltage rating: 250 VAC
Current rating: 20 A  
Voltage rating: 250 VAC
Insulation resistance: 100 Mohm min. at 500 VDC
Dielectric withstanding voltage: 2000 VAC for one minute

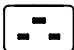




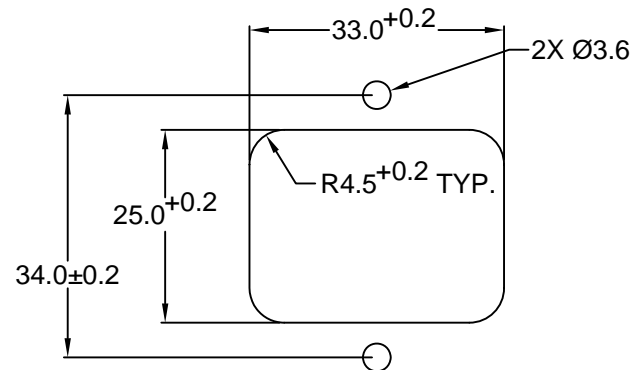
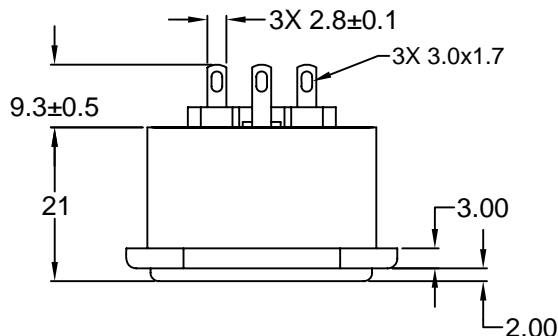
ORDERING CODE:

42R08-2 2
 1 2

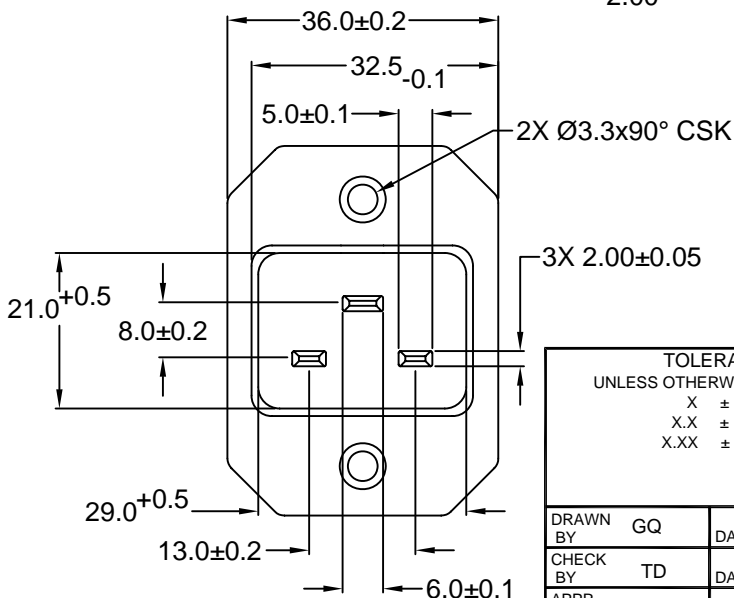
- 1) COLOR
1 = BLACK
2 = GRAY

2) ELECTRICAL CIRCUIT CONFIGURATION

- 1 = 20A 250V 70°C 2+GROUND 
- 2 = 20A 250V 155°C 2+GROUND 
- 4 = 20A 250V 70°C 2 POLE 



RECOMMENDED PANEL CUTOUT



RoHS COMPLIANT

TOLERANCE UNLESS OTHERWISE SPECIFIED
X ± 1
X.X ± 0.4
X.XX ± 0.20

Power Dynamics, Inc.
Phone: 973 560-0019 Whippany, New Jersey Fax: 973 560-0076

PART: 16/20A IEC 60320 APPL. INLET; SOLDER TERMINALS; CROSS FLANGE, PANEL MOUNT

DRAWN BY	GQ	DATE:	08/24/01
CHECK BY	TD	DATE:	08/29/01
APPR BY	PB	DATE:	08/29/01

PART #: 42R08-2X2X		SHEET 1 of 1
SIZE: A	ALL DIMENSIONS FOR REFERENCE ONLY	
SCALE: NTS	DIMENSIONS ARE IN MILLIMETERS	
REV: A		

D

C

B

A

REVISIONS	CHNG	CHECK	APPR
	CHANGE	TERM. DIM.	PB
	DATE	1/8/10	
	REV	A	