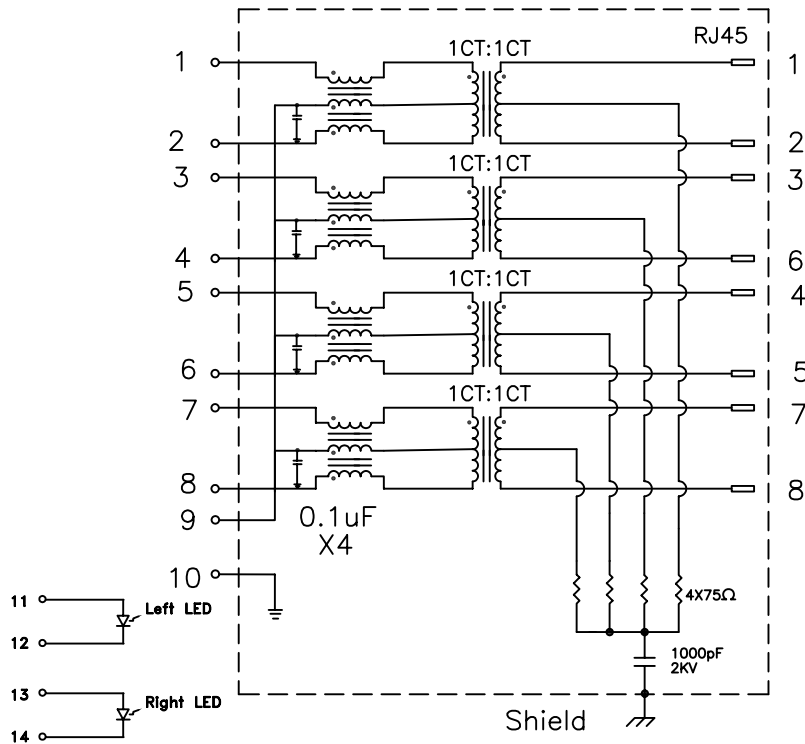


# Schematic:



## Electrical Specifications: 25°C

TURNS RATIO: TX 1CT:1CT±3%, RX 1CT:1CT±3%  
 Isolation Voltage: 1500 Vrms (INPUT to OUTPUT)

Q: 16 Min 100Khz 0.1V

Insertion Loss (0.1MHz-100MHz): -1.2dB Max

Insertion Loss (100MHz-125MHz): -1.4dB Max

Return Loss: -16dB Min. @0.5MHz-40MHz

-12+20 log(f/80MHz) Min @40MHz-100MHz

Crosstalk : -33+20log(f/100MHz)dB Min @1MHz to 100MHz

Common to Differential Mode Rejection @100KHz-100MHz: -35dB Min

Common to Common Mode Rejection @100KHz-100MHz: -30dB Min

### Notes:

- Solderability: Leads shall meet MIL-STD-202G, Method 208H for solderability.
- Flammability: UL94V-0
- ASTM oxygen index: > 28%
- Insulation System: Class F 155°C. UL file E151556
- Operating Temperature Range: All listed parameters are to be within tolerance from -40°C to +85°C
- Storage Temperature Range: -55°C to +125°C
- Aqueous wash compatible
- Electrical and mechanical specifications 100% tested
- RoHS Compliant Component

Complete the Combo P/N as follows:

Replace 'x' & 'u' in the part number with one of the LED color letters:

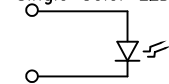
Y=Yellow  
 G=Green  
 A=Amber  
 R=Red

'x' = Left LED Color

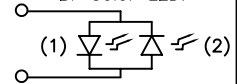
'u' = Right LED Color

C=Green(1)/Amber(2) Bicolor  
 D=Amber(1)/Green(2) Bicolor  
 M=Green(1)/Yellow(2) Bicolor  
 N=Yellow(1)/Green(2) Bicolor  
 P=Red(1)/Green(2) Bicolor  
 Q=Green(1)/Red(2) Bicolor  
 E=Red(1)/Yellow(2) Bicolor  
 F=Yellow(1)/Red(2) Bicolor  
 H=Amber(1)/Yellow(2) Bicolor  
 J=Green(1)/Green(2) Bicolor

Single Color LED:



Bi-Color LED:



DOC. REV. A/1

**XFMRs Inc.**  
www.XFMRs.com

Title:

**1x4 Tab Up COMBO SERIES**

UNLESS OTHERWISE SPECIFIED

P/N: XFGIG8-CTGxu4-4M

REV. A

TOLERANCES:

DWN.

Juan Mao

Jul-21-09

.xxx ±0.010

CHK.

YK Liao

Jul-21-09

Dimensions in Inch

APP.

BW

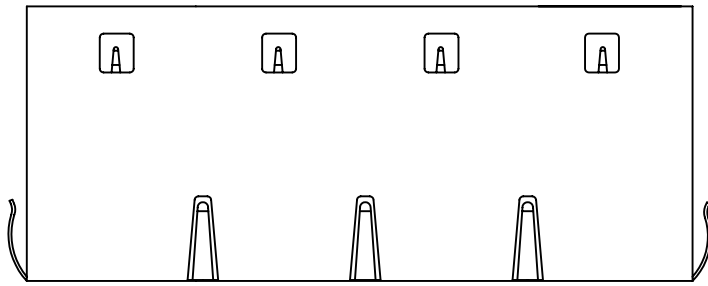
Jul-21-09

SHEET 1 OF 3

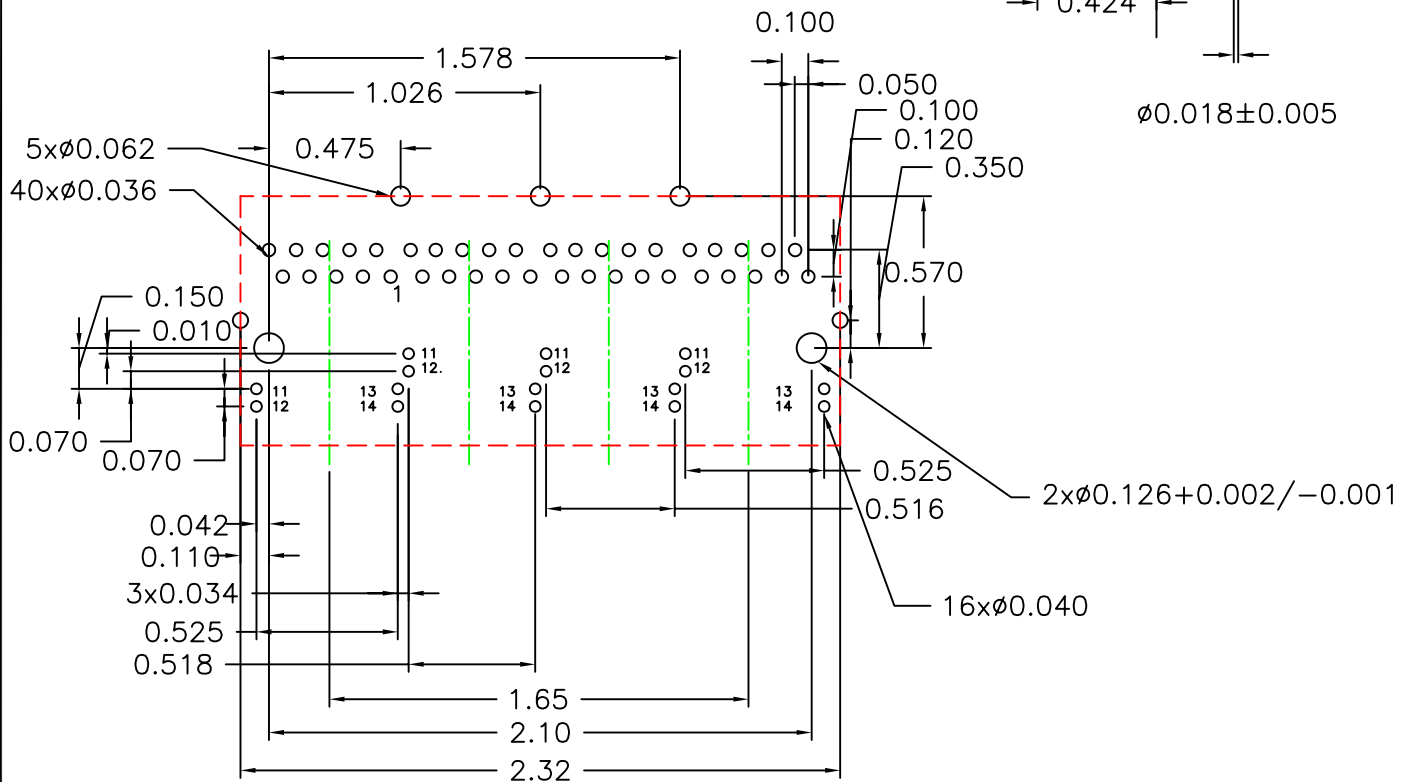
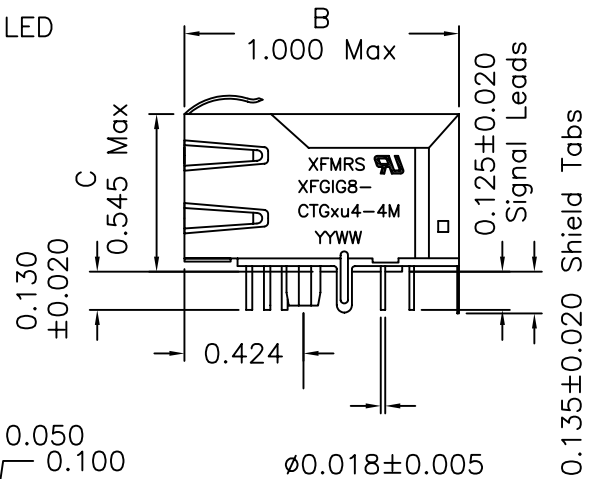
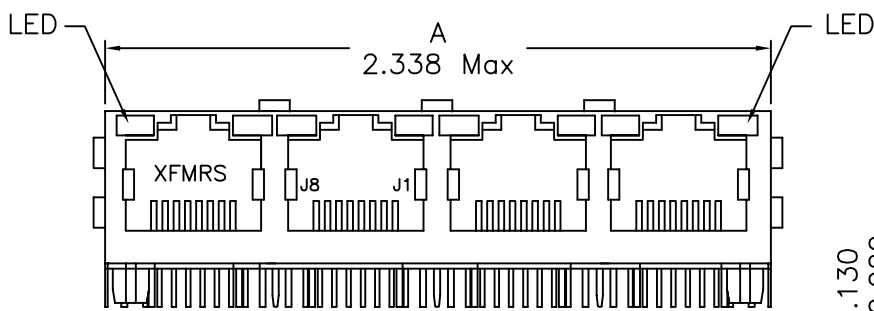
**PROPRIETARY:**

Document is the property of XFMRs Group & is not allowed to be duplicated without authorization.

# Mechanical Dimensions: (FOR CTGxu4-4M)



Top view



Four Port Suggested Footprint: (Top View)

DOC REV: A/1

**XFMRs Inc**  
www.XFMRs.com

Title: "1" INCH 1x4 PORT COMBO  
TAB UP

UNLESS OTHERWISE SPECIFIED  
TOLERANCES:  
.xxx ±0.010  
Dimensions in Inch

P/N: XFGIG8-CTGxu4-4M

REV. A

DWN.

Xiany

Jul-21-09

CHK.

YK Liao

Jul-21-09

APP.

BW

Jul-21-09

**PROPRIETARY**

Document is the property of XFMRs Group & is not allowed to be duplicated without authorization.

SHEET 2 OF 2