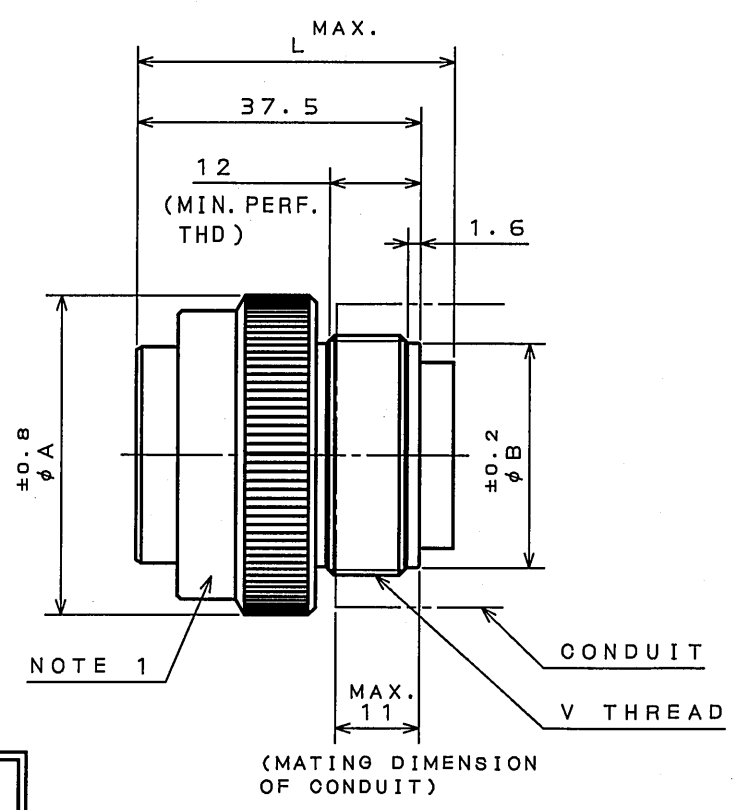
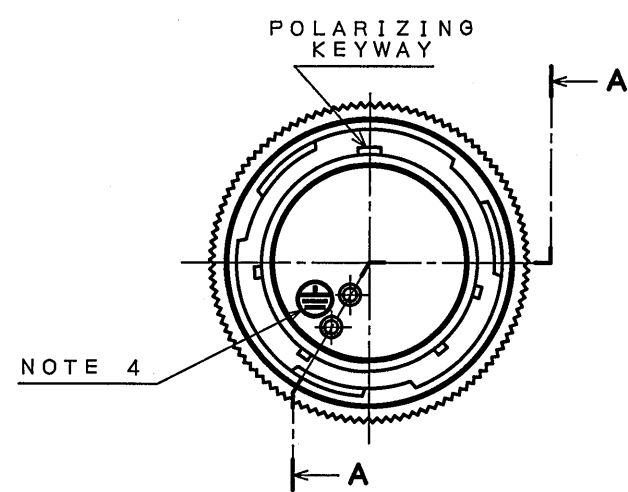


REV.	DATE	DCN NO.	DESCRIPTION	DR.	CHK.	APPD.	APPD.



SOCKET INSERT (THE UPPER PART)
ソケットインサートの場合(上) SECT. A-A
PIN INSERT (THE LOWER PART)
ピンインサートの場合(下) (SCALE 2:1)

TABLE 1 【DIMENSIONS】

SHELL SIZE	$\phi A \pm 0.8$	$\phi B \pm 0.2$	V THREAD
18	35.9	23.5	1-20UNEF-2A
20	40.6	26.9	1 1/8-18UNEF-2A
22	42.2	29.6	1 1/4-18UNEF-2A
24	45.4	32.8	1 3/8-18UNEF-2A
28	51.7	39	1 5/8-18UNEF-2A

TABLE 2 【INSERT ARRANGEMENT】 (NOTE 2)

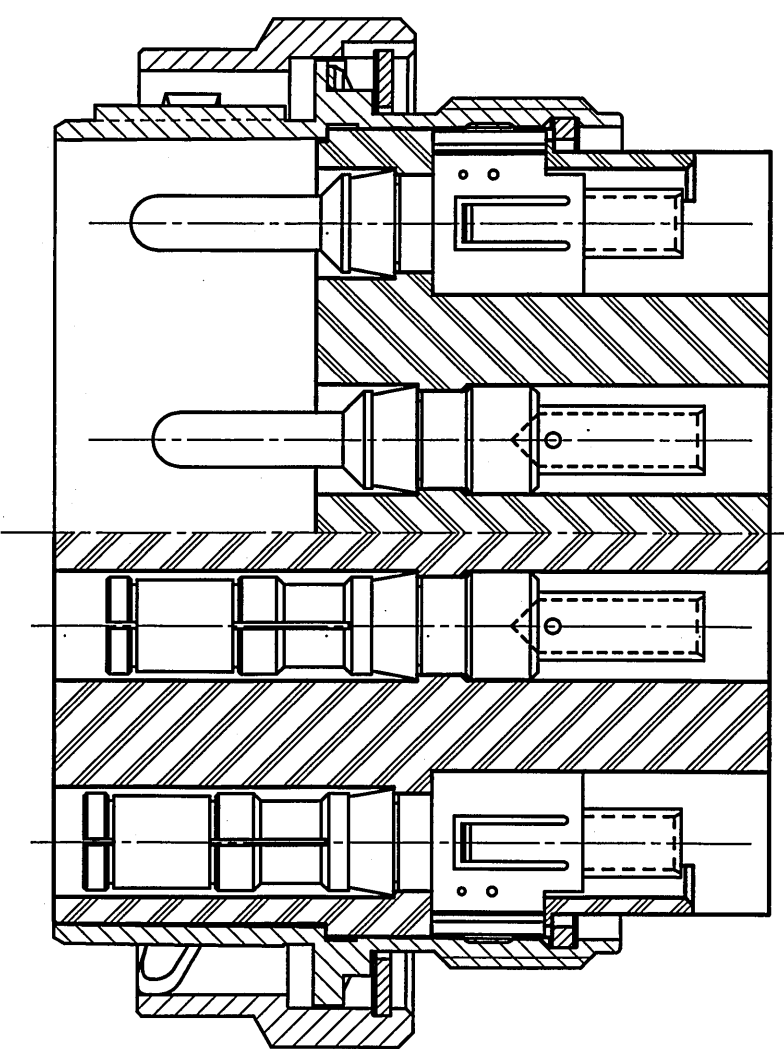
SHELL SIZE	CONTACT SIZE	# 8	# 12	# 16	# 20
18	NO. OF CONTACT	5	10	19	19
	INSERT ARRANGEMENT DWG. NO.	18-11	18-1	18-19A	18-19A
20	NO. OF CONTACT	7	17	30	30
	INSERT ARRANGEMENT DWG. NO.	20-15	20-29	20-30A	20-30A
22	NO. OF CONTACT	4	8	19	19
	INSERT ARRANGEMENT DWG. NO.	SJ024906	SJ025292	SJ024905	SJ025298
24	NO. OF CONTACT	7	24	52	52
	INSERT ARRANGEMENT DWG. NO.	24-10	24-28	24-52A	24-52A
28	NO. OF CONTACT	7	37	73	73
	INSERT ARRANGEMENT DWG. NO.	SJ024907	SJ025295	SJ025299	SJ025299

CONTACT SIZE	L MIN.	
	PIN INSERT	SOCKET INSERT
# 8	48	
# 12	46	43
# 16	43	38
# 20	40	37.5

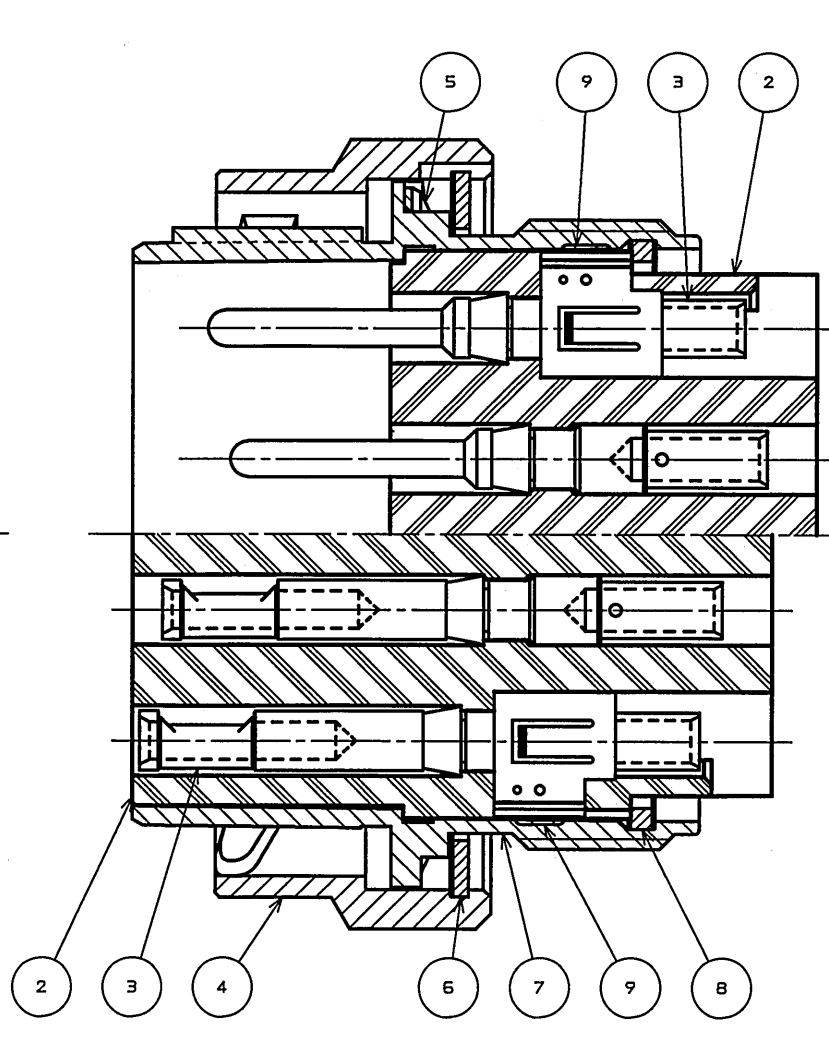
TABLE 3 【CRIMP TYPE CONTACTS】 (NOTE 3)

CONTACT SIZE	PIECE	CONTACT PART NUMBERS				TYPE	APPLICABLE WIRE
		PIN CONTACT	DWG. NO.	SOCKET CONTACT	DWG. NO.		
# 8	INDIVIDUAL	CONT-JL05-08P-C1	SJ025430	CONT-JL05-08S-C1	SJ025431	MACHINE	AWG# 8~10(8ml~5.5ml)
		CONT-JL05-08P-C2		CONT-JL05-08S-C2			
# 12	INDIVIDUAL	CONT-JL05-12P-C1	SJ025428	CONT-JL05-12S-C1	SJ025429	MACHINE	AWG# 12~16(3.5ml~1.25ml)
		ST-JL05-16P-C1		ST-JL05-16S-C1			
# 16	INDIVIDUAL	ST-JL05-16P-C2	SJ025424	ST-JL05-16S-C2	SJ025425	STAMPE	AWG# 16~20(1.25ml~0.5ml)
		ST-JL05-16P-C3		ST-JL05-16S-C3			
		ST-JL05-16P-C1-3500		ST-JL05-16S-C1-3500			
	REELS OF 3500	ST-JL05-16P-C2-3500	SJ025426	ST-JL05-16S-C2-3500	SJ025427	STAMPE	AWG# 14~16(2ml~1.25ml)
		ST-JL05-16P-C3-3500		ST-JL05-16S-C3-3500			
		ST-JL05-16P-C1-3500		ST-JL05-16S-C1-3500			
# 20	INDIVIDUAL	ST-JL05-20P-C1	SJ025420	ST-JL05-20S-C1	SJ025421	STAMPE	AWG# 18~22(0.8ml~0.3ml)
		ST-JL05-20P-C2		ST-JL05-20S-C2			
	REELS OF 10000	ST-JL05-20P-C1-10000	SJ025422	ST-JL05-20S-C1-10000	SJ025423	STAMPE	AWG# 18~22(0.8ml~0.3ml)
		ST-JL05-20P-C2-10000		ST-JL05-20S-C2-10000			

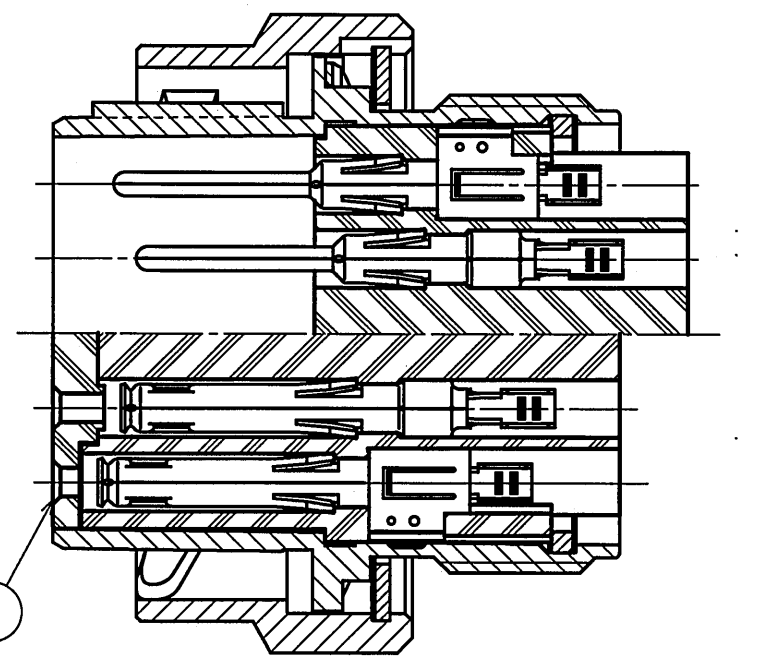
★INSERT OF #8 CONTACTS



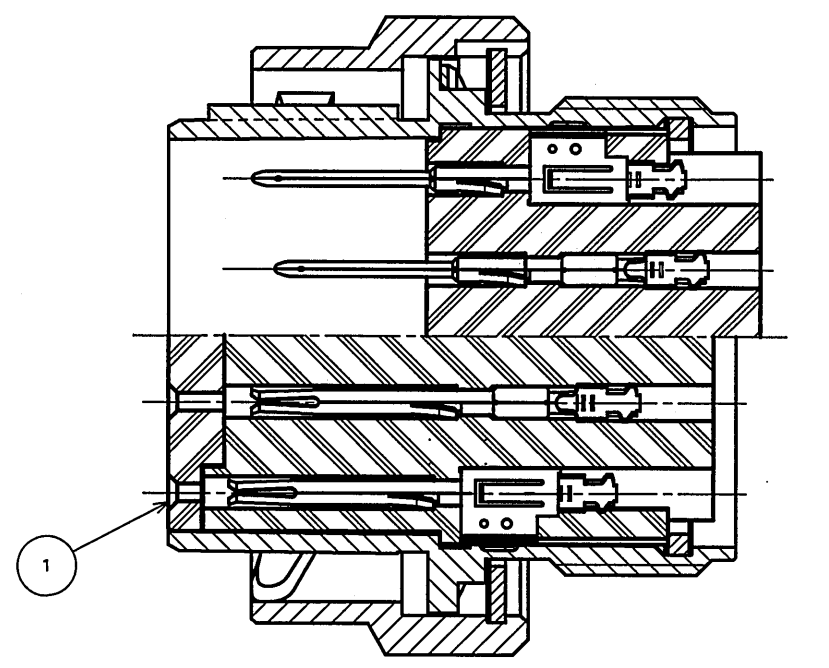
★INSERT OF #12 CONTACTS



★INSERT OF #16 CONTACTS



★INSERT OF #20 CONTACTS



DESIGNATION
命名法

JL05-6A22-14*PC*-FO-R

SERIES PREFIX
シリーズ名
6:STRAIGHT PLUG
6:プラグ
A:THE STRUCTURE OF WATERPROOF
A:防水構造

SHELL SIZE:18, 20, 22, 24, 28
シェルサイズ:18, 20, 22, 24, 28

INSERT ARRANGEMENT(NOTE 2)
インサート配列名

CONTACT TYPE
PC:CRIMP TYPE OF PIN CONTACT
SC:CRIMP TYPE OF SOCKET CONTACT
P :SOLDER TYPE OF PIN CONTACT
S :SOLDER TYPE OF SOCKET CONTACT
PO:クリンプピンコンタクト
SO:クリンプソケットコンタクト
P :半田用ピンコンタクト
S :半田用ソケットコンタクト

ALTERNATE INSERT POSITIONS:W, X, Y, Z, V
STANDARD:NORMAL POSITION
インサート回転位置:W, X, Y, Z, V
無し:標準位置

FO:LESS CONTACTS
FO:コンタクト無し
R:SUFFIX
R:特殊記号

NOTE 1. COMPANY LOGO "JAE" & PART NUMBER ARE MARKED AS INDICATED.
"-FO" AND "-R" ARE NOT MARKED.
2. FOR INSERT ARRANGEMENT, SEE TABLE 2.
3. FOR APPLICABLE CONTACTS, SEE TABLE 3.
4. THIS MARK(⊕) INDICATES EARTH.

1. 図示の位置に"社名"及び"品名"を表示する。
但し、品名末尾の"-FO"及び"-R"は表示しない。
2. インサート配列は表2による。
3. 適合コンタクトは表3による。
4. このマーク ⊕ は保護回路接続を表す。

QTY.	DESCRIPTION	MATERIAL	FINISH	REMARKS
9	EARTH LUG	COPPER ALLOY	SILVER PLATING	
8	RETAINING RING	COPPER ALLOY	ZINC PLATING	
7	BARREL	ALUMINUM ALLOY	ZINC PLATING	
6	C-TYPE RING	STAINLESS STEEL		
5	WAVE SPRING	STAINLESS STEEL		
4	COUPLING NUT	ALUMINUM ALLOY	ZINC PLATING	
3	CONTACT	COPPER ALLOY	SILVER PLATING	NOTE 2,3
2	BASE INSULATOR	SYNTHETIC RESIN		
1	COVER INSULATOR	SYNTHETIC RESIN		INSULATOR FOR #16 & #20 SOCKET CONTACTS

NO.	DESCRIPTION	QTY.	MATERIAL	FINISH	REMARKS
JA08-5071					
仕様書(SPECIFICATION)		第1版(ORIGINAL DATE)		尺度(SCALE)	シリーズ(SERIES)
JAE		6,Jan,2006		1:1	JL05
製図 DR.		担当 CHK.		名称(TITLE)	
N.SASANO		E. Matsumoto		JL05-6A**	
承認 APPD.		承認 APPD.		*****-R	
A. Omegawa		承認 APPD.		(STRAIGHT PLUG)	
		質量(MASS)		図面番号(DRAWING NO.)	
		⊕		SJ105243	

DOF-0-213F(05.06)

SIZE A2