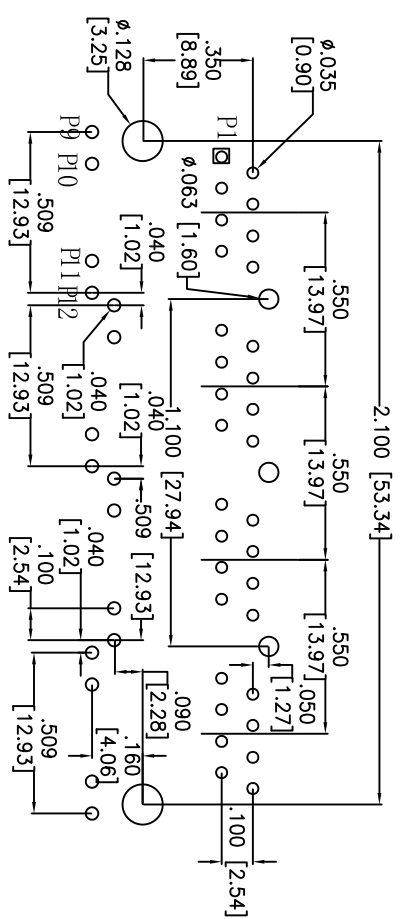
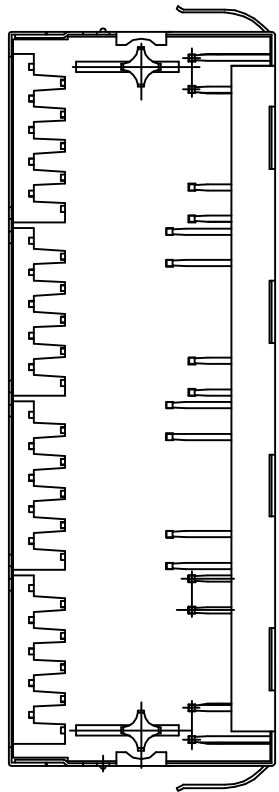


Rev	AWO #	Description	Date	Appr
-		RELEASED	4/14/11	

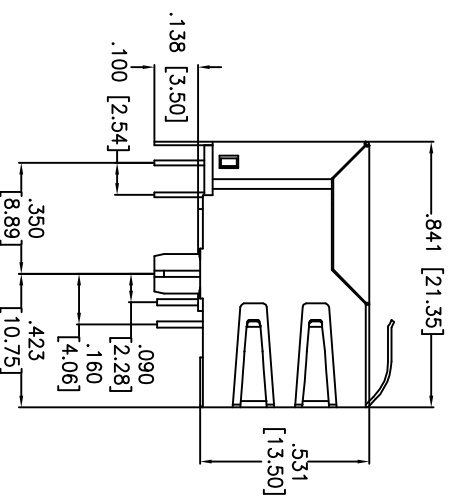
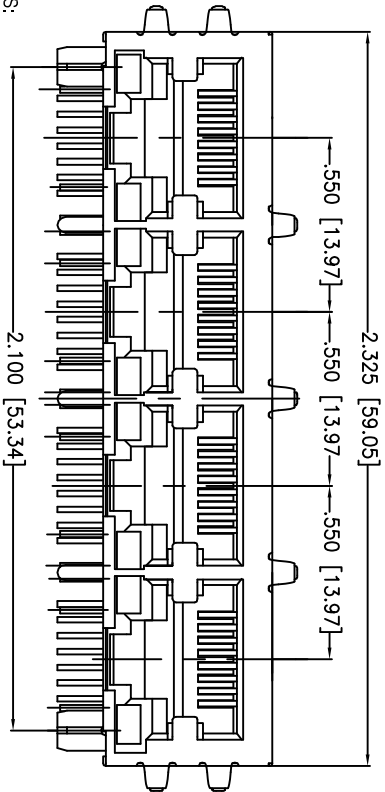
6 5 4 3 2 1

APPROVED: \_\_\_\_\_

DATE: \_\_\_\_\_ TITLE: \_\_\_\_\_



RECOMMENDED PCB LAYOUT



X	PLATING
0	15 $\mu$ m Gold
1	30 $\mu$ m Gold
2	50 $\mu$ m Gold

**SPECIFICATIONS:**

Material:

Insulator: PBT, glass reinforced, rated UL 94V-0

Insulator color: Black

Contacts: Copper Alloy

Shield: Copper Alloy, Nickel plated

Contact Plating:

Gold Flash over Nickel underplate on contact area,  
Tin over Copper underplate on tails

(See chart for thickness).

Electrical:

Operating voltage: 150 VAC max

Current rating: 1.5 Amps max

Contact Resistance: 20 mohms max. initial

Insulation resistance: 500 Mohms min @ 500 VDC

Dielectric withstanding voltage: 1000 VAC for 1 minute

Temperature Rating:

Operating temperature: -40°C to +125°C

Environmental:  
Lead free, RoHS compliant.  
Recommended soldering temp: 235°C for 5 sec.



# ADAM TECH

909 Rahway Avenue, Union, NJ 07083  
Phone: 908-687-5000 Fax: 908-687-5710

TITLE: MODULAR JACK GANGED, 4 PORT, 8P8C  
W/ LED1 GREEN, LED2 GREEN

UNLESS OTHERWISE SPECIFIED ALL DIMENSIONS ARE INCHES [MM]	
TOLERANCES: EXCEPT AS NOTED	
.X	$\pm .10$
.XX	$\pm .020$
.XXX	$\pm .015$
.XXX	$\pm .015$
Holes	
$\varnothing$ X	$\pm .10$
$\varnothing$ XXX	$\pm .015$
$\varnothing$ XXX	$\pm .010$
APPROVALS	
DRAWN	DY
CHECKED	
APPROVED	
DATE	4/14/11

SIZE	PART NO.	REV.
X	MTUG-488TX1-FS-PG-LD-M5	
REF:	S00005C	
SCALE:	NTS	
SHEET	1 OF 2	

6 5 4 3 2 1