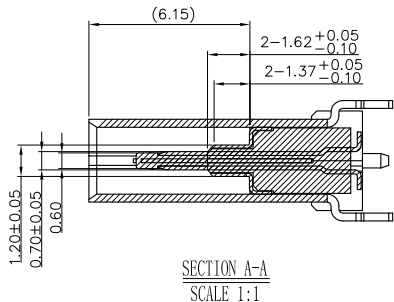
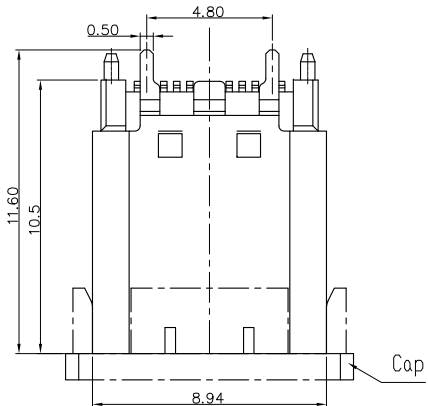


1 2 3 4 5 6 7 8 9 10

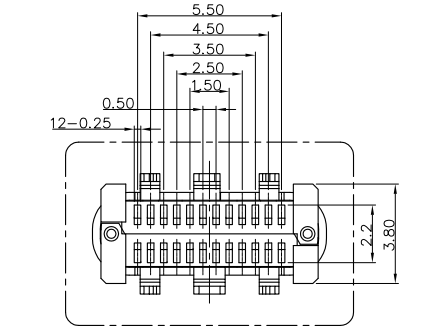
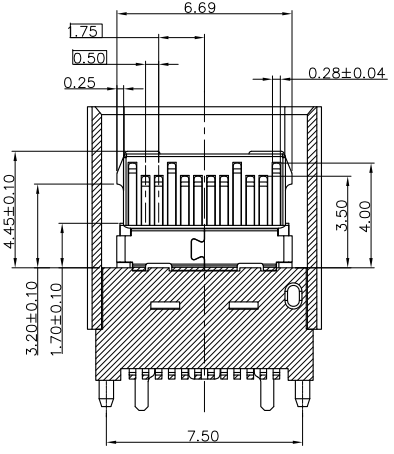
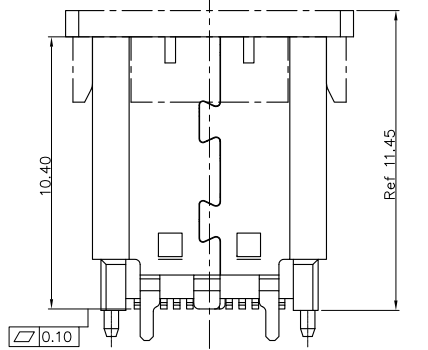
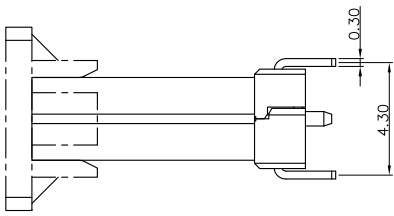
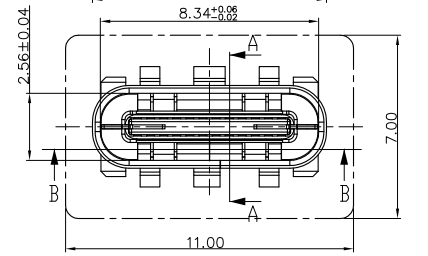
MAPX	MODIFICATION	DATE

A
B
C
D
E
F
G

A
B
C
D
E
F
G



- NOTES:
- MATERIAL:
 - MOLDING: LCP UL94 V-0
 - CONTACT: COPPER ALLOY.
 - GOLD PLATED 30u" Min ON CONTACT AREA, 100u" Min TIN (LEAD FREE) ON SOLDER AREA,
 - SHELL: SUS304-H, T=0.30±0.03mm
 - 50u" NICKEL PLATING OVER ALL.
 - SHILD: SUS304-H, T=0.12±0.03mm
 - MECHANICAL:
 - INSERTION: 5~20N.
 - EXTRACTION: 8~20N.
 - DURABILITY: 10000 CYCLES
 - ELECTRICAL:
 - CURRENT: 5A MIN FOR VBUS;
 - 0.25A MIN FOR OTHER.
 - VOLTAGE: 5VAC MAX
 - WITHSTANDING VOLTAGE: 100V AC.
 - CONTACT RESISTANCE: 40mΩ MAX.
 - INSULATION RESISTANCE: 100MΩ MIN.
 - ENVIRONMENTAL
 - TEMPERATURE RANGE -55°C ~ +85°C



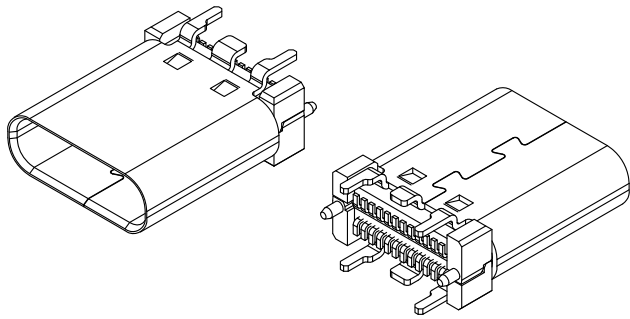
SECTION B-B
SCALE 1:1

<p>产品图 PRODUCT CHART DWG</p>				<p>深圳市精拓金电子有限公司</p>						
<p>公差一览表 TOLERANCE UNLESS OTHERWISE</p>				单位 UNITS	MM	制图 DRAWING	Z-Y-B	制图料号 PRODUCT PART NO.	918-418K2022Y40003	
X.	±0.25	X.	±5.°	比例 SCALE	1:1	审核 CHKD		产品名称 PRODUCT NO.	TYPE-C3.1母座无边180度贴片10.5LCP黑胶24PIN	
.X	±0.20	.X	±2.°	日期 DATE	2014.05.15	核准 APPD		角法 VIEW	版本 VER	AO
.XX	±0.15	.XX	±1.°							
.XXX	±0.10	.XXX	±0.5°							

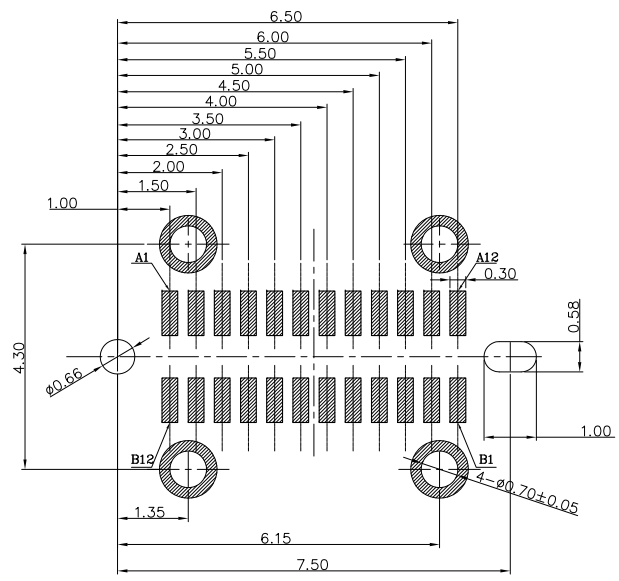
1 2 3 4 5 6 7 8 9 10

MAPX	MODIFICATION	DATE

USB TYPE-C FULL-FEATURED RECEPTACLE INTERFACE PIN ASSIGNMENTS



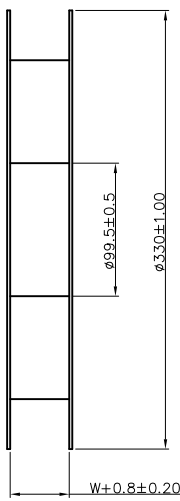
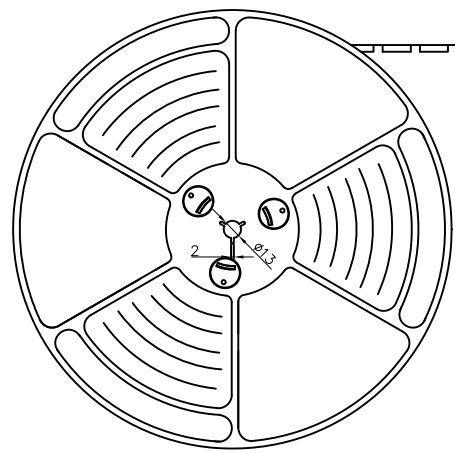
PIN	Signal Name	PIN	Signal Name
A1	GND	B12	GND
A2	SSTXp1	B11	SSRXp1
A3	SSTXn1	B10	SSRXn1
A4	VBUS	B9	VBUS
A5	CC1	B8	SBU2
A6	Dp1	B7	Dn2
A7	Dn1	B6	Dp2
A8	SBU1	B5	CC2
A9	VBUS	B4	VBUS
A10	SSRXn2	B3	SSTXn2
A11	SSRXp2	B2	SSTXp2
A12	GND	B1	GND



RECOMMENDED P.C.B. LAYOUT (T:1.00mm)
 TOLERANCE UNSPECIFIED ±0.05mm
 SCALE: 2:1

产品图 PRODUCT CHART DWG		深圳市精拓金电子有限公司								
公差一览表 TOLERANCE UNLESS OTHERWISE		单位 UNITS	MM	制图 DRAWING	Z-Y-B	制图料号 PRODUCT PART NO.	918-418K2022Y40003			
X.	±0.25	X.	±5.°	比例 SCALE	1:1	审核 CHKD	产品名称 PRODUCT NO.	TYPE-C3.1母座无边180度贴片10.5LCP黑胶24PIN		
.X	±0.20	.X	±2.°	日期 DATE	2014.05.15	核准 APPD	角法 VIEW		版本 VER	AO
.XX	±0.15	.XX	±1.°							
.XXX	±0.10	.XXX	±0.5°							

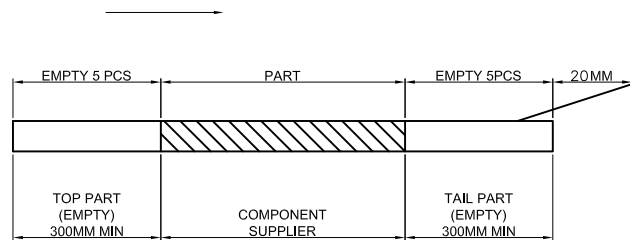
堤蹋源研
PULL OUT DIRECTEON



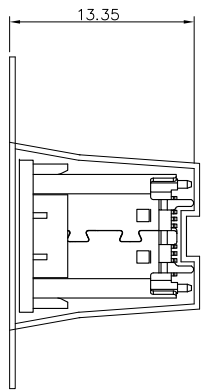
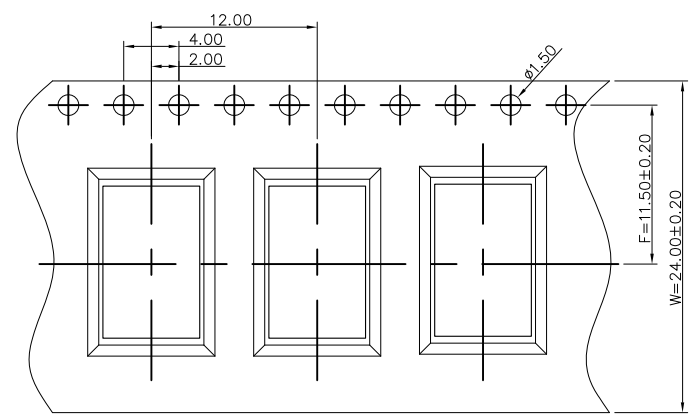
MAPX	MODIFICATION	DATE

NOTES

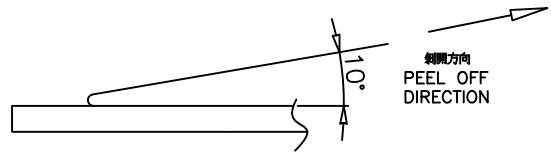
1. 越詢 擇僅
LEAD TAPE LENGTH
堤蹋源研
PULL OUT DIRECTEON



PULL OUT DIRECTEON



2. 效 ?薯薯 0.1~1.3N(10.2gf~130gf)
PEELING OFF FORCE OF TOP TAPE:0.1~1.3N(10.2gf~130gf)
堤?綾?挺最饒玲隅韶磷□
THIS REQUIREMENT SHOULD BE APPLIED AT SHIPMENT□
橙 斐綾?挺最饒祥夔汎嶋
PEELING OFF SHOULD NOT BE ALLOWED DURING TRANSPORTATION

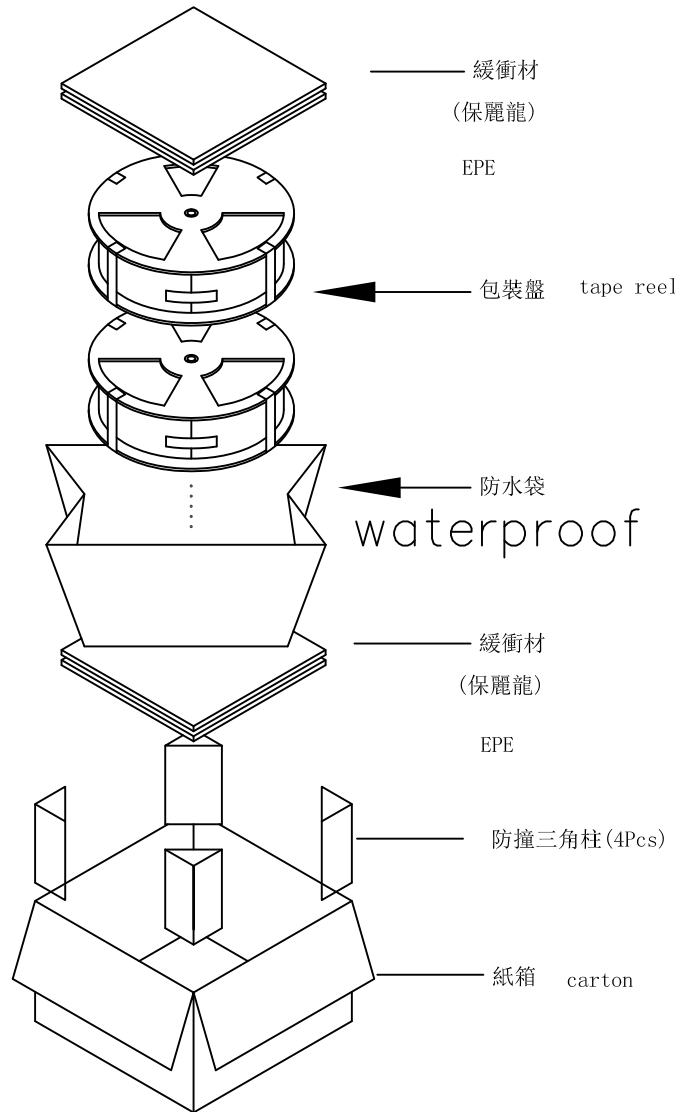


产品图
PRODUCT CHART DWG

深圳市精拓金电子有限公司

公差一览表 TOLERANCE UNLESS OTHERWISE				单位 UNITS	MM	制图 DRAWING	Z-Y-B	制图料号 PRODUCT PART NO.	918-418K2022Y40003	
X.	±0.25	X.	±5.°	比例 SCALE	1:1	审核 CHKD		产品名称 PRODUCT NO.	TYPE-C3.1母座无边180度贴片10.5LCP黑胶24PIN	
.X	±0.20	.X	±2.°	日期 DATE	2014.05.15	核准 APPD		角法 VIEW	版本 VER	AO
.XX	±0.15	.XX	±1.°							
.XXX	±0.10	.XXX	±0.5°							

MAPX	MODIFICATION	DATE



緩衝材 (保麗龍)
EPE

包裝盤 tape reel

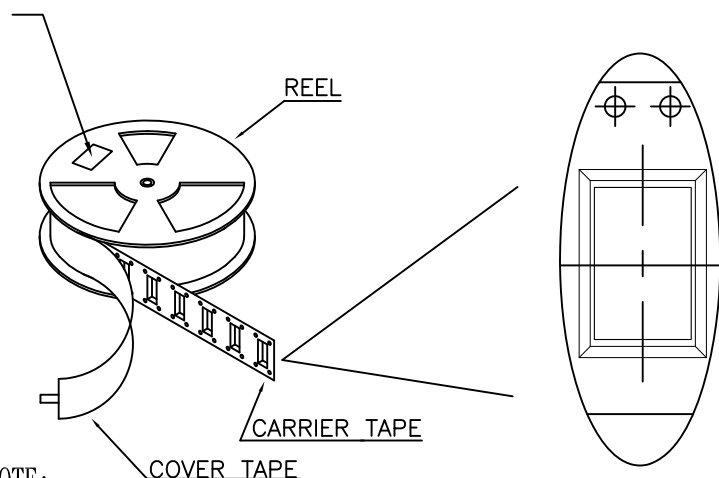
防水袋
waterproof plastic bag

緩衝材 (保麗龍)
EPE

防撞三角柱 (4Pcs)

紙箱 carton

at small positioning hole of the carrier tape side).
標籤黏貼處 (朝捲裝包材的小定位孔一側)
Location of label sticking (label



NOTE:

1. 潘 婦規 講摯藩眊規眊 講 xó恒桶跡.
{ Packing q' ty of each reel & carton as below { table shown.
2. 眊奴糯 葡企恒婦規 ?婦規 婦規
Use cover tape to cover and hot melt machine to seal up.
3. 藩??眊溫??逆紮蹬
Every carton use 2pcs EPE.
4. 規 家 腔橙履溫 ?眊甜眊糯 猾諧
Put reels in the carton and use adhesive tape to seal up.

家 躑? (PRODUCT No.)	婦 規 講 (PACKING CAPACITY)			零 講 WEIGHT (Kg)		
	PCS/REEL	REELS/CARTON	PCS/CARTON	N.W./PCS	N.W./BOX	G.W./BOX
FUCR-244X-14XR	400	7	2800			

产品图 PRODUCT CHART DWG			
公差一览表 TOLERANCE UNLESS OTHERWISE			
X.	±0.25	X.	±5.°
.X	±0.20	.X	±2.°
.XX	±0.15	.XX	±1.°
.XXX	±0.10	.XXX	±0.5°

深圳市精拓金电子有限公司

单位 UNITS	MM	制图 DRAWING	Z-Y-B	制图料号 PRODUCT PART NO.	918-418K2022Y40003
比例 SCALE	1:1	审核 CHKD		产品名称 PRODUCT NO.	TYPE-C3.1 母座无边180度贴片10.5LCP黑胶24PIN
日期 DATE	2014.05.15	核准 APPD		角法 VIEW	版本 VER
					AO