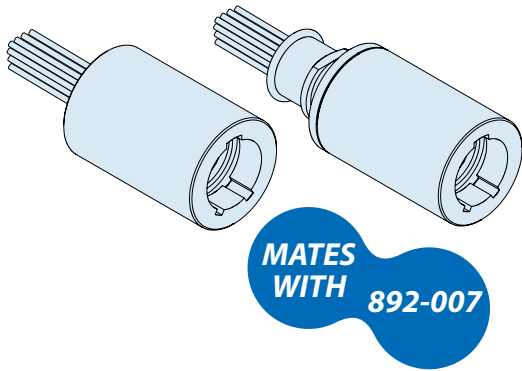


892-004 Circular Breakaway, Inline Receptacle Connector with Insulated Wire



Glenair Inline Breakaway Receptacle Connectors

feature gold alloy TwistPin contacts, offering premium performance and reliability for demanding applications. Available with or without backshell, overmolded or shrink boot.

Choose Aluminum or Stainless Steel Shells in 6 layouts from 4 to 55 contacts. These connectors are intermateable with nanominiature plug connectors 892-007.

How To Order Circular Nano Connectors	
Sample Part Number	892 -004 -02 1-7 N A2 -0 A 7 -12
Series	892 - Nano Circular with Insulated Wire
Shell Style	004 - In-Line Breakaway Receptacle
Accessory	01 - No Backshell 02 - With Backshell 03 - Overmolded 04 - Shrink Boot
Shell Size/Contact Arrangement	1-4 - Shell Size 1 with 4 contacts 3-37 - Shell Size 3 with 37 contacts 1-7 - Shell Size 1 with 7 contacts 4-44 - Shell Size 4 with 44 contacts 2-19 - Shell Size 2 with 19 contacts 4-55 - Shell Size 4 with 55 contacts See Table I
Polarization	N - Normal A - Alternate
Shell Material/Finish	A2 - Aluminum/Electroless Nickel S1 - Stainless Steel/Zinc Cobalt (Black) A5 - Aluminum/Gold Over Nickel S2 - Stainless Steel/Passivated
Wire Gauge	0 - 30 AWG -2 - 32 AWG
Wire Type	A - Ultralightweight XLETFE insulation, silver coated ultrahigh strength copper B - Extruded PTFE insulation, silver-coated copper NEMA HP3-ETX (MIL-W-16878/6) C - Cross linked modified ETFE insulation, silver coated high strength copper. MIL-W-22759/33 (not available in #32 AWG)
Wire Color	1 - White 2 - Yellow 7 - 10 Color repeating (Wire type A is striped, types B and C are solid colors)
Wire Length (Inches)	12 = 12.00 + 1.00 Inches

Table I: 892 Circular Receptacle Mating Face Views					
Size 1-4 4 Contacts	Size 1-7 7 Contacts	Size 2-19 19 Contacts	Size 3-37 37 Contacts	Size 4-44 44 Contacts	Size 4-55 55 Contacts

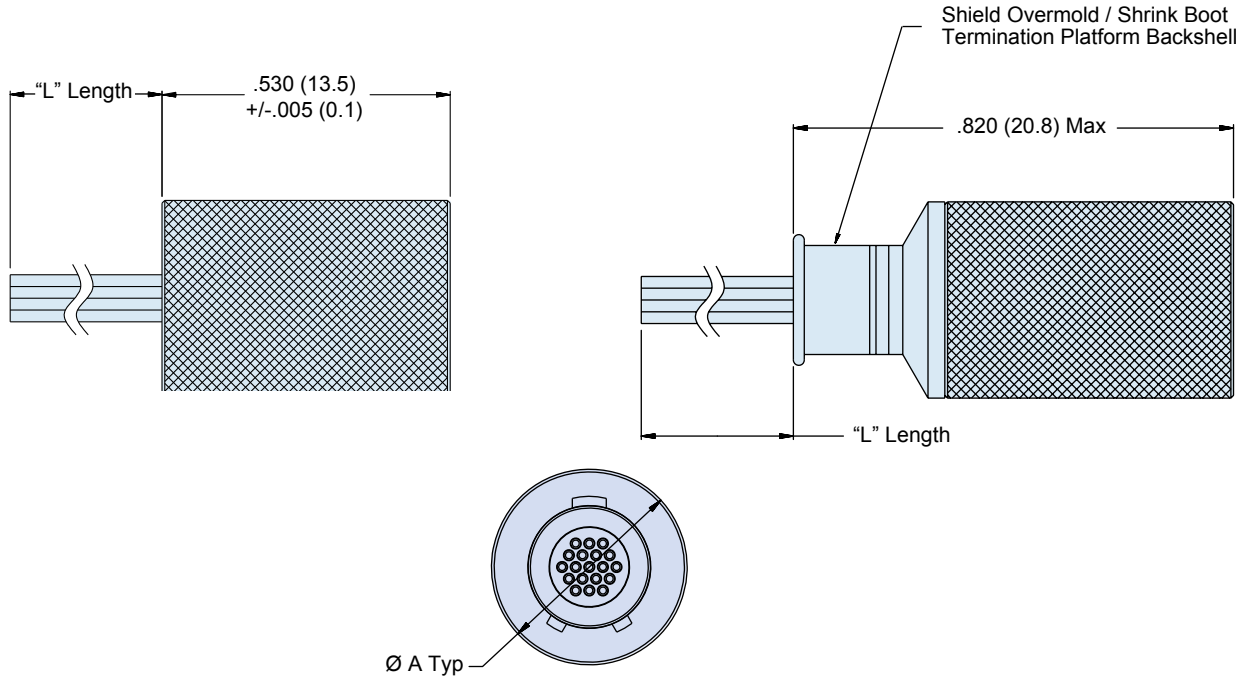
Dimensions in inches (millimeters) and are subject to change without notice.

892-004 Circular Breakaway, Inline Receptacle Connector with Insulated Wire

Table II: Dimensions

892-004-01 Without Termination Platform

892-004-02 With Termination Platform



Size	Ø A +/- .005
1-4	.310 (7.9)
1-7	.310 (7.9)
2-19	.360 (9.1)
3-37	.411 (10.4)
4-44	.443 (11.3)
4-55	.443 (11.3)

Material/finish:

- Shell/spanner nut/backshell - see part number breakdown
- Insulator - LCP/na
- Socket contacts - gold alloy
- O-rings - fluorosilicone/na
- Internal latching spring - stainless steel/gold plate

Dimensions in inches (millimeters) and are subject to change without notice.