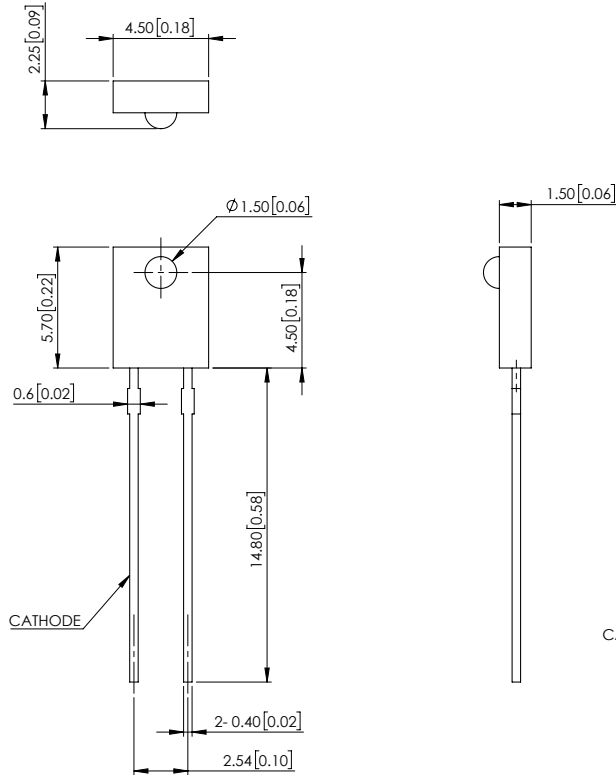


PART NUMBER	OED-ELRD1556C40-R	REV	A
REV	E.C.N. NUMBER AND REVISION COMMENTS		DATE
A	ECN-Lumex201700049		08.11.17



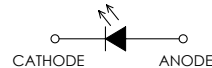
ELECTRO-OPTICAL CHARACTERISTIC TA=25°C

PARAMETER	MIN	TYP	MAX	UNITS	TEST COND
LIGHT CURRENT	143	-	1137	uA	If=4mA, V _{CE} =3.5V
PEAK WAVELENGTH	-	940	-	nm	If=20mA
FORWARD VOLTAGE	-	1.2	1.6	V _f	If=20mA
REVERSE VOLTAGE	-	-	5	V _r	I _r =10uA
VIEW ANGLE	-	±20	-	DEG	If=20mA
EMITTED COLOR	RED				
EPOXY LENS FINISH	WATER CLEAR				

ABSOLUTE MAXIMUM RATINGS TA=25°C

PARAMETER	MAX	UNITS
FORWARD CURRENT	50	mA
POWER DISIPATION	75	mW
OPERATING TEMPERATURE	-25 TO +85	°C
STORAGE TEMPERATURE	-40 TO +85	°C
SOLDERING TEMPERATURE	5 SEC. MAX @ 260	°C

POLARITY



NOTE:

1. RoHS COMPLIANT.
2. COMPLIANCE WITH EU REACH.
3. COMPLIANCE HALOGEN FREE. (Br < 900ppm, Cl < 900ppm, Br+Cl < 1500ppm)
4. AFTER OPENING THE PACKAGE, THE DEVICES MUST BE STORED AT 10°C-25°C AND 20%RH-60%RH, AND SUGGESTED TO BE USED WITHIN 24 HOURS OR AS SOON AS POSSIBLE.

*UNLESS OTHERWISE SPECIFIED TOLERANCES PER DECIMAL PRECISION ARE: X=±1 (±0.039), X.X=±0.5 (±0.020), X.XX=±0.25 (±0.010), X.XXX=±0.127 (±0.005). LEAD SIZE=±0.05 (±0.002), LEAD LENGTH=±0.75 (±0.030), MIN= ^{+0.00}DECIMAL PRECISION _{-0.00} MAX= ^{+0.00}DECIMAL PRECISION _{-0.00}



425 N. GARY AVE.
CAROL STREAM, IL 60188
PHONE : 800-278-5666
FAX : 830-315-2150
WEB : WWW.LUMEX.COM

4.5(L)*2.25(W)*20.5(H)mm, T-1.5mm RIGHT ANGLE DOME LENS, REVERSE POLARITY, LIGHT EMITTING DIODE, CLEAR LENS.

"THE SPECIFICATIONS MAY CHANGE AT ANY TIME WITHOUT NOTICE DUE TO NEW MATERIALS OR PRODUCT IMPROVEMENT."

CONFIDENTIAL INFORMATION

THE INFORMATION CONTAINED IN THIS DOCUMENT IS THE PROPERTY OF LUMEX INC. EXCEPT AS SPECIFICALLY AUTHORIZED IN WRITING BY LUMEX INC., THE HOLDER OF THIS DOCUMENT SHALL KEEP ALL INFORMATION CONTAINED HEREIN CONFIDENTIAL AND SHALL PROTECT SAME IN WHOLE OR IN PART FROM DISCLOSURE AND DISSEMINATION TO ALL THIRD PARTIES.

DATE : 2017.08.11 DRAWN BY : C.C.

PAGE : 1 OF 1 CHKD BY : G.Y.

SCALE : NTF APRVD BY : E.C.

UNIT : mm [INCH]