

P-tec Corp. Tel:(800)688-0613
 2405 Commerce Circle Tel:(719) 589 3122
 Alamosa Co. 81101 Fax:(719) 589 3592
 www.p-tec.net sales@p-tec.net



PL008 Series Bi-Color SMD LED PLCC-4 Package

Features

- *PLCC-4 Package 3.2 x 2.8 x 1.9 mm
- *GaAsP Hi-Eff Red and GaP Green chips used
- *Very Wide Viewing Angle
- *High Light Output
- *IC Compatible
- *Reliable and Rugged
- *2000 pcs per 12 mm Reel
- *RoHS Compliant

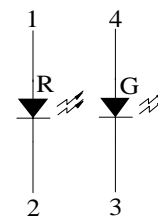
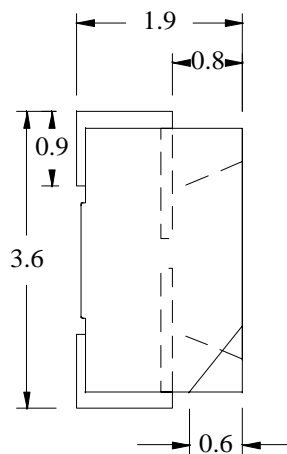
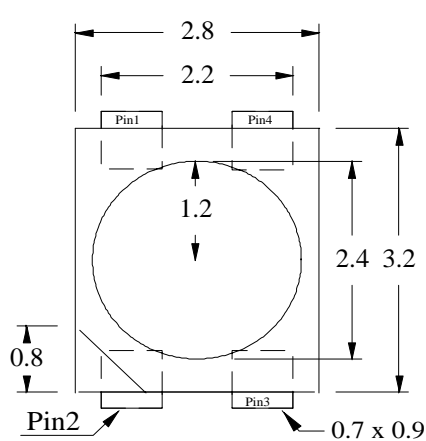
Absolute Maximum Ratings at T_A = 25 °C

Power Dissipation (Red).....	78mW
Power Dissipation (Green).....	78mW
Reverse Voltage (<100µA).....	5.0V
Max Forward Current.....	30mA
Peak Forward Current (1/10 Duty Cycle, 0.1ms Pulse Width).....	100mA
Operating Temperature Range.....	-25°C to + 85°C
Storage Temperature Range.....	-40°C to + 100°C
Reflow Soldering Temperature.....	260° for 5 seconds

Electrical & Optical Characteristics at T_A = 25 °C

Part Number	Emitting Color	Chip Material	Peak Wave Length	Dominant Wave Length	Viewing Angle 2θ ½	Forward Voltage @20mA (V)		Luminous Intensity @20mA (mcd)	
						Typ	Max	Min	Typ
Water Clear Lens			nm	nm					
PL008-WCRG1213	Orange-Red Green	GaAsP GaP	635	626	120°	2.1	2.6	9.0	15.0
			567	572		2.1	2.6	9.0	14.0

Package Dimensions are in **Millimeters**. Tolerance is ± 0.25mm unless otherwise specified.



Recommended solder pad

