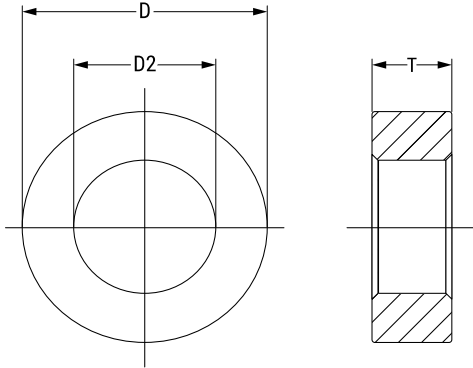


KEMET, ESD-R-SR, EMI Cores, Commercial Grade



General Information	
<b>Series:</b>	ESD-R-SR
<b>Style:</b>	Round
<b>Cable Type:</b>	Round Cable
<b>Description:</b>	EMI Core Solid, Large-Size Ring Type, For Round Cables
<b>Features:</b>	High Impedance, Effectively Suppresses Radiation at 150 kHz, Low Frequency Noise
<b>RoHS:</b>	Yes
<b>Qualifications:</b>	UL94 V-2
<b>Materials:</b>	Mn-Zn

Dimensions	
<b>D</b>	38mm MAX
<b>D2</b>	19mm +/-0.8mm
<b>T</b>	12.7mm +/-0.5mm

Specifications	
<b>Temperature Range:</b>	-25/+85C
<b>Effective Frequency:</b>	10 MHz (AM Band Range)

Packaging Specifications	
<b>Packaging:</b>	Tray
<b>Packaging Quantity:</b>	200
<b>Weight:</b>	52.5 g