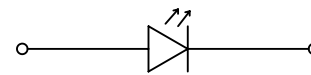
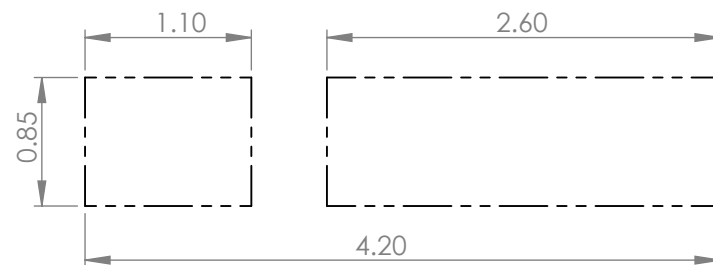


POLARITY



RECOMMENDED PCB LAYOUT



ELECTRO-OPTICAL CHARACTERISTIC TA=25°C

| PARAMETER | MIN. | TYP. | MAX. | UNITS | TEST COND |
|------------------------------|-------------|------|------|-------------|-----------|
| FORWARD VOLTAGE | 2.8 | - | 3.4 | Vf | If=60mA |
| REVERSE VOLTAGE | - | - | 5 | Vf | IR=10uA |
| CORRELATED COLOR TEMPERATURE | - | 6500 | - | K | If=60mA |
| LUMINOUS INTENSITY | - | 21 | - | Lm | If=60mA |
| VIEWING ANGLE | - | 120 | - | 2x theta1/2 | If=60mA |
| EMITTED COLOR | WHITE | | | | |
| EPOXY LENS FINISH | WATER CLEAR | | | | |

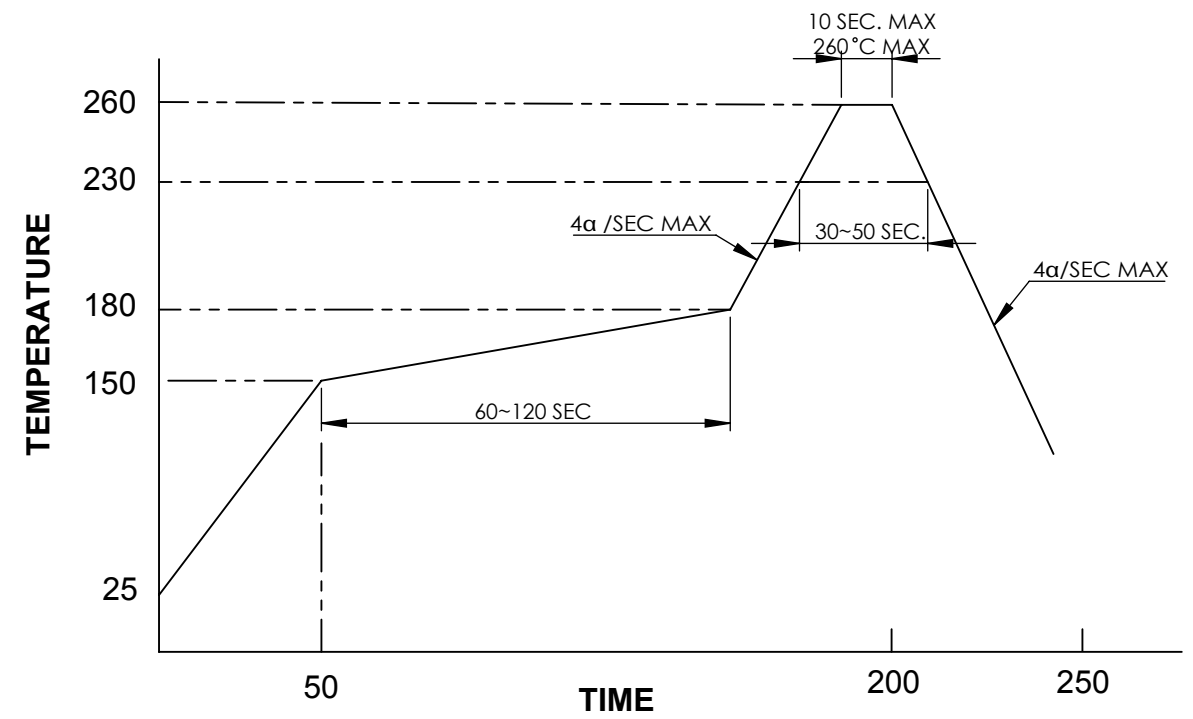
ABSOLUTE MAXIMUM RATINGS TA=25°C

| PARAMETER | MAX. | UNITS |
|-----------------------|----------------|-------|
| PEAK FORWARD CURRENT* | 150 | mA |
| STEADY CURRENT | 60 | mA |
| POWER DISIPATION | 204 | mW |
| STORAGE TEMPERATURE | -30 to +85 | °C |
| OPERATING TEMPERATURE | -40 to +100 | °C |
| SOLDERING TEMPERATURE | 3sec MAX @ 260 | °C |

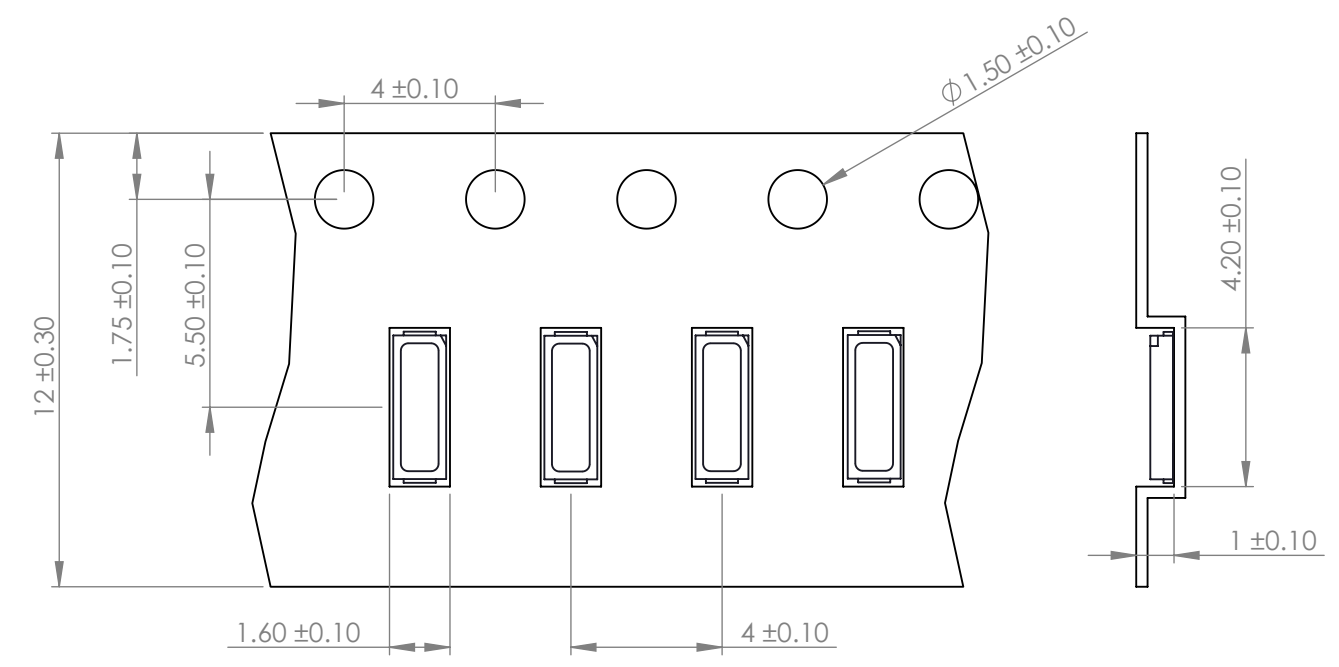
*t<10us

*UNLESS OTHERWISE SPECIFIED TOLERANCES PER DECIMAL PRECISION ARE: X=±1 (±0.039), X.X=±0.5 (±0.020), X.XX=±0.25 (±0.010), X.XXX=±0.127 (±0.005). LEAD SIZE=±0.05 (±0.002), LEAD LENGTH=±0.75 (±0.030). MIN= ^{+DECIMAL PRECISION}/_{-0.00} MAX.= ^{+0.00}/_{-DECIMAL PRECISION}


PROFILE



CARRIER TAPE DIMENSION



*UNLESS OTHERWISE SPECIFIED TOLERANCES PER DECIMAL PRECISION ARE: X=±1 (±0.039), X.X=±0.5 (±0.020), X.XX=±0.25 (±0.010), X.XXX=±0.127 (±0.005). LEAD SIZE=±0.05 (±0.002), LEAD LENGTH=±0.75 (±0.030). MIN= ^{+DECIMAL PRECISION}/_{-0.00} MAX= ^{+0.00}/_{-DECIMAL PRECISION}

| | | | | |
|--|---|-------------------|-----------------|------|
|  <p>N. GARY AVE. CAROL STREAM, IL 60188 PHONE : 800-278-5666 FAX : 630-315-2150 WEB : WWW.LUMEX.COM425</p> | 4.0(L)*1.4(W)*0.6(H)mm, WARM WHITE LED, InGaN/GAN, WATER CLEAR LENS, TAPE & REEL | DATE : 2017.02.21 | DRAWN BY : E.C. | |
| | **THE SPECIFICATIONS MAY CHANGE AT ANY TIME WITHOUT NOTICE DUE TO NEW MATERIALS OR PRODUCT IMPROVEMENT.** | PAGE : 2 OF 2 | CHKD BY : E.C. | |
| | CONFIDENTIAL INFORMATION THE INFORMATION CONTAINED IN THIS DOCUMENT IS THE PROPERTY OF LUMEX INC. EXCEPT AS SPECIFICALLY AUTHORIZED IN WRITING BY LUMEX INC., THE HOLDER OF THIS DOCUMENT SHALL KEEP ALL INFORMATION CONTAINED HEREIN CONFIDENTIAL AND SHALL PROTECT SAME IN WHOLE OR IN PART FROM DISCLOSURE AND DISSEMINATION TO ALL THIRD PARTIES. | SCALE : NTF | APRVD BY : G.Y. | |
| | | UNIT : mm [INCH] | | (Pb) |