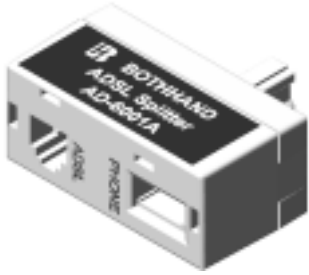
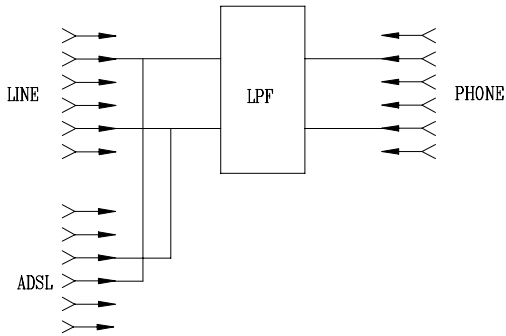
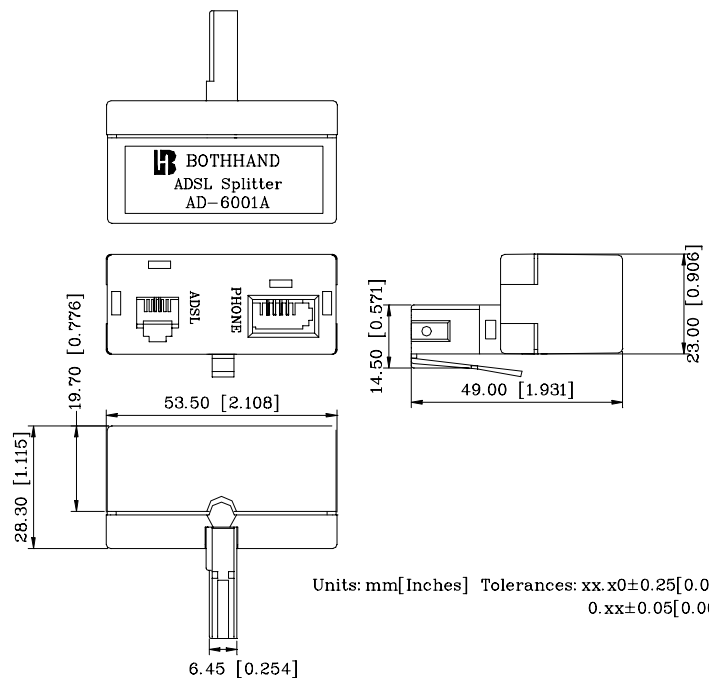


**P/N: AD-6001A DATA SHEET****Feature**

- Compatible package, includes connectors for ease of Installation.
- Design for G.dmt Application, China Specification.
- 100mA DC Loop Current Capacity.
- Operating temperature range: 0°C to +60°C.
- Storage temperature range: -25°C to +75°C.

Specifications for Low pass POTS Filter for ADSL

POTS Ports Impedance	600ohm	DC Resistance each line	7.5ohm Max
Insertion Loss @ 1004Hz	-1dB Max	Return Loss @ 200Hz-500Hz	-14 dB Min
Insertion Loss Distortion (dB) @ 200Hz-4KHz	+/-1dB	@ 500Hz-2KHz	-18 dB Min
Attenuation @ 25-50KHz	-15 dB Min	@ 2KHz-3.4KHz	-14 dB Min
	@ 25K-1MHz	-25 dB Min	POTS trip and ring DC Voltage 0-105V
		Longitudinal Balance @ 0.2-3KHz	-53 dB Min

Schematic**Dimension**

Units: mm[Inches] Tolerances: xx.x0±0.25[0.010]
0.xx±0.05[0.002]

Connector	Function	Style	Tip	Ring
J1	Line	BT-M	Pin2	Pin5
J2	Phone	BT-F	Pin2	Pin5
J3	ADSL	RJ11	Pin4	Pin3