

PLEASE CHECK WWW.MOLEX.COM FOR LATEST PART INFORMATION

Part Number: [0751971003](#)
Status: **Active**
Overview: vhdm_hsd
Description: 2.00mm (.079") Pitch VHDM® Lite Board-to-Board Backplane Header, Vertical, 8-Row, Open Signal Module, 80 circuits, Pin Length 4.25mm (.167")

Documents:

[Drawing \(PDF\)](#) [RoHS Certificate of Compliance \(PDF\)](#)
[Product Specification PS-74031-999 \(PDF\)](#)

General

| | |
|-------------------------------|---|
| Product Family | Backplane Connectors |
| Series | 75197 |
| Application | Backplane |
| Application Tooling Documents | Tooling Manual |
| Comments | Open Header |
| Component Type | PCB Header |
| Overview | vhdm_hsd |
| Product Name | VHDM Lite® |
| Style | N/A |

Physical

| | |
|--------------------------------|--------------------------------|
| Circuits (Loaded) | 80 |
| Circuits (maximum) | 80 |
| Color - Resin | Black |
| Durability (mating cycles max) | 200 |
| First Mate / Last Break | No |
| Guide to Mating Part | No |
| Keying to Mating Part | None |
| Material - Metal | High Performance Alloy (HPA) |
| Material - Plating Mating | Gold |
| Material - Plating Termination | Tin-Lead |
| Material - Resin | High Temperature Thermoplastic |
| Number of Columns | 10 |
| Number of Pairs | Open Pin Field |
| Number of Rows | 8 |
| Orientation | Vertical |
| PCB Retention | Yes |
| PCB Thickness Recommended (in) | 0.070 In |
| PCB Thickness Recommended (mm) | 1.80 mm |
| Packaging Type | Tube |
| Pitch - Mating Interface (in) | 0.079 In |
| Pitch - Mating Interface (mm) | 2.00 mm |
| Plating min: Mating (µin) | 30 |
| Plating min: Mating (µm) | 0.75 |
| Plating min: Termination (µin) | 30 |
| Plating min: Termination (µm) | 0.75 |
| Polarized to PCB | Yes |
| Stackable | Yes |
| Surface Mount Compatible (SMC) | Yes |
| Temperature Range - Operating | -55°C to +105°C |
| Termination Interface: Style | Through Hole - Compliant Pin |

Electrical

| | |
|-------------------------------|----|
| Current - Maximum per Contact | 1A |
|-------------------------------|----|

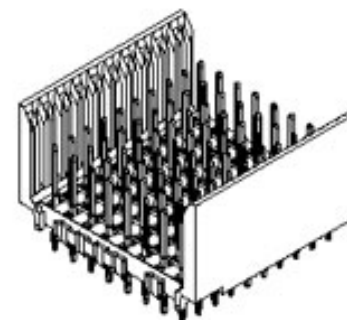


image - Reference only

Series

EU RoHS

RoHS Compliant by Exemption
REACH SVHC
Contains SVHC: No
Halogen-Free
Status
Not Reviewed

China RoHS



Pb

Need more information on product environmental compliance?

Email productcompliance@molex.com
For a multiple part number RoHS Certificate of Compliance, [click here](#)

Please visit the [Contact Us](#) section for any non-product compliance questions.

Search Parts in this Series

[75197Series](#)

Mates With

[75191](#) VHDM® Lite-Series Board-to-Board Daughtercard

Use With

Daughtercard Modules

Application Tooling | FAQ

Tooling specifications and manuals are found by selecting the products below. Crimp Height Specifications are then contained in the Application Tooling Specification document.

Global

| Description | Product # |
|--|----------------------------|
| VHDM® Signal Pin Inserter Repair Tool | 0622015700 |
| VHDM® Insertion Module for Standard Shield Signal Header, 8 Row by | 0622020209 |

| | |
|-------------------------|------------------|
| Data Rate | 622.0 Mbps |
| Real Signals (per 25mm) | 72 |
| Voltage - Maximum | 120V AC (RMS)/DC |

| |
|-----------------------------|
| 10 Wide, 20.00mm (.787") |
|-----------------------------|

Material Info

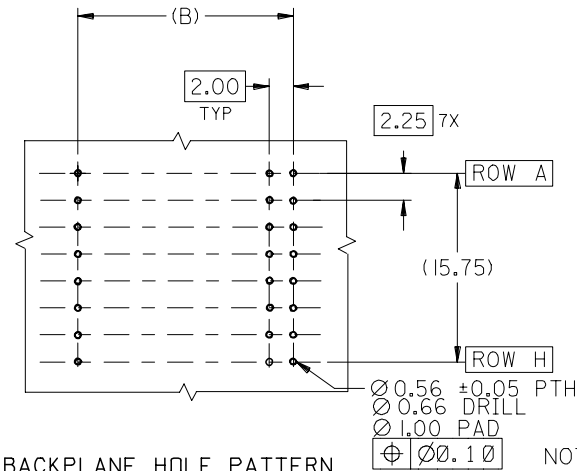
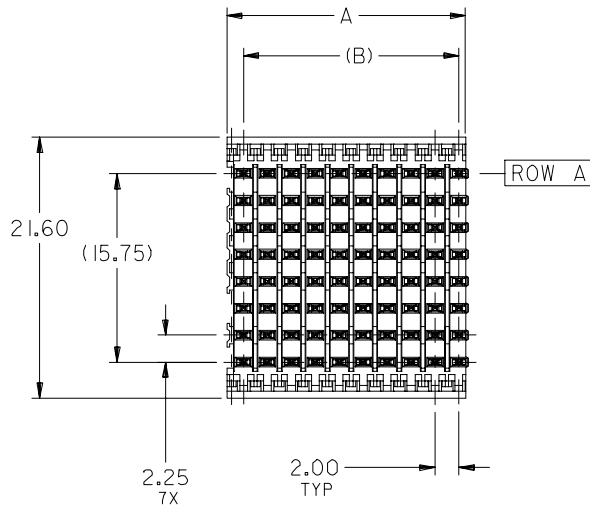
Reference - Drawing Numbers

| | |
|-------------------------|--------------|
| Packaging Specification | PK-74060-003 |
| Product Specification | PS-74031-999 |
| Sales Drawing | SD-75197-001 |

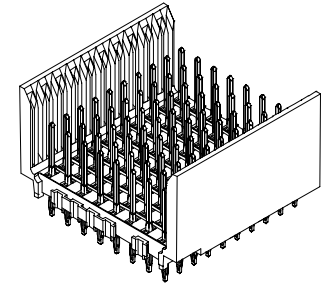
VHDM and Very High Density Metric are trademarks of Amphenol Corporation

This document was generated on 05/28/2010

PLEASE CHECK WWW.MOLEX.COM FOR LATEST PART INFORMATION

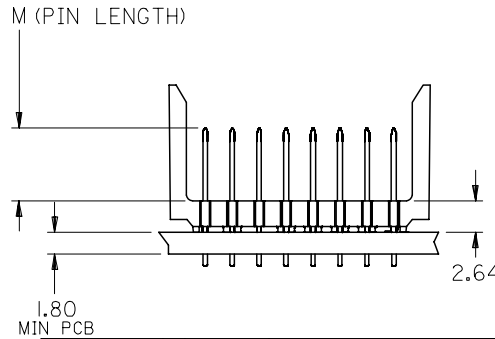
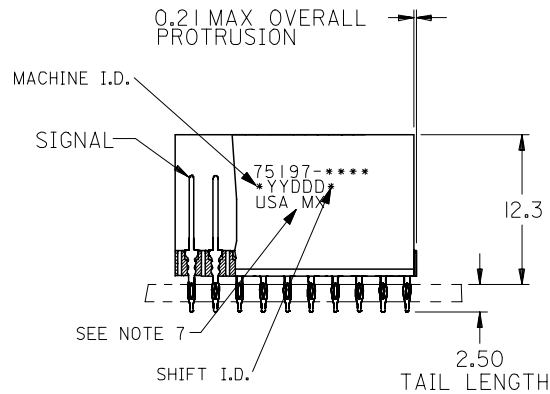


BACKPLANE HOLE PATTERN
RECOMMENDED DIMENSION

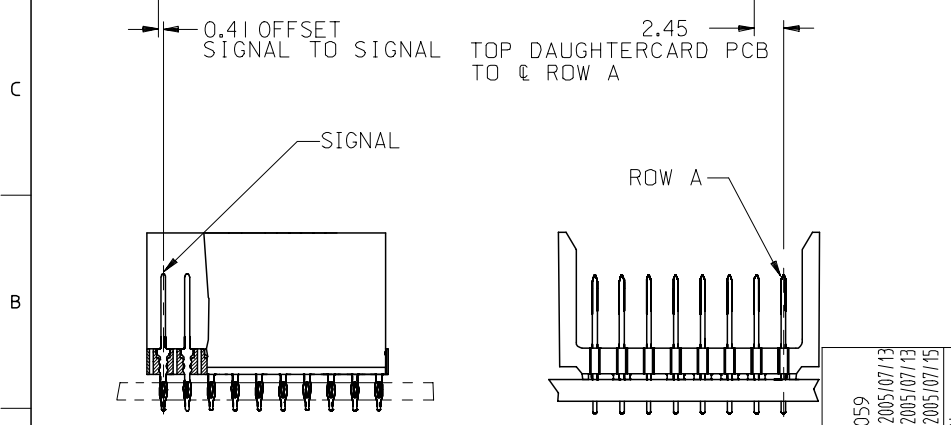
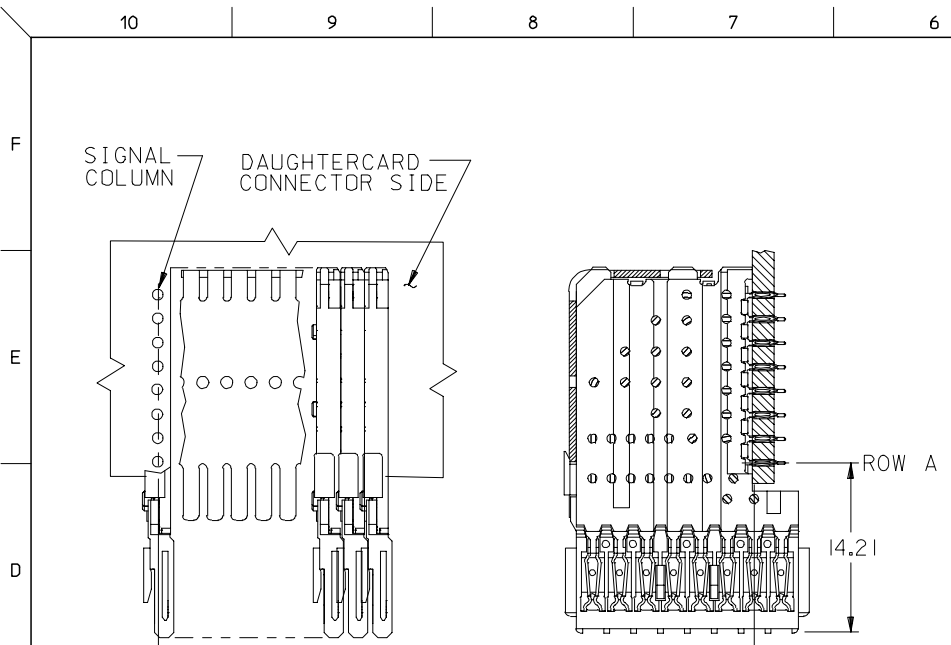


NOTES:

- MATERIALS:
HOUSING - LIQUID CRYSTAL POLYMER (LCP),
GLASS-FILLED, UL 94V-0, COLOR: BLACK
SIGNAL PIN - COPPER ALLOY
- FINISHES:
CONTACT AREA: SELECTIVE GOLD (Au)
PCB TAILS: SELECTIVE TIN/LEAD (Sn/Pb)
OR SELECTIVE MATTE TIN (Sn)
NICKEL (Ni) OVERALL
- THIS PART CONFORMS TO MOLEX PRODUCT
SPECIFICATION PS-74031-999
- FOR MIXED CONTACT LENGTHS CONSULT
MOLEX FOR AVAILABILITY
- FOR SPECIFIC MATERIAL NUMBERS & MATING
INFORMATION REFER TO SHEET 2
- PACKAGE PER PK-74060-003
- EITHER MARK PART WITH PART NUMBER & DATE
CODE APPROXIMATELY WHERE SHOWN OR PLACE
LABEL ON THE TUBE.



| | | | | | | | | | |
|--|-------------------------------|---------------------------------------|--|----------------------------|--|------------------------------|---|------------------------|--|
| ADD LEADFREE PINS EC NO: UCP2006-0059 DRWN: KMILVEY 2005/07/13 CHKD: 2005/07/13 APPR: SREED 2005/07/15 | QUALITY SYMBOLS ▽=0 ▽=0 | GENERAL TOLERANCES (UNLESS SPECIFIED) | | DIMENSION STYLE MM ONLY | | SCALE 2.5:1 | DESIGN UNITS METRIC | THIRD ANGLE PROJECTION | |
| | | | mm | INCH | DRAWN BY MBANDURA | DATE 2002/10/07 | TITLE VHDM LITE 8 ROW OPEN END BACKPLANE SALES ASSEMBLY | | |
| | | 4 PLACES | ± --- | ± --- | CHECKED BY NMARTIN | DATE 2002/10/07 | | | |
| | | 3 PLACES | ± --- | ± --- | APPROVED BY CBIXLER | DATE 2002/10/07 | MOLEX INCORPORATED | | |
| 2 PLACES | ± --- | ± --- | ANGULAR ±1/2° | | MATERIAL NO. SEE SHEET 2 | DOCUMENT NO. SD-75197-001 | SHEET NO. 1 OF 2 | | |
| 1 PLACE | ± --- | ± --- | DRAFT WHERE APPLICABLE MUST REMAIN WITHIN DIMENSIONS | | THIS DRAWING CONTAINS INFORMATION THAT IS PROPRIETARY TO MOLEX INCORPORATED AND SHOULD NOT BE USED WITHOUT WRITTEN PERMISSION | | | | |



| PART NUMBER | COLUMN | NUMBER OF SIGNAL PIN | NUMBER OF SHIELD | A | B | M | Au (um) THICKNESS | Sn (um) THICKNESS |
|-------------|--------|----------------------|------------------|-------|-------|------|-------------------|-------------------|
| 75197-*001 | 10 | 80 | 0 | 20.00 | 18.00 | 4.75 | 0.76 | 0.76-1.52 |
| 75197-*501 | 25 | 200 | 0 | 50.00 | 48.00 | | 0.76 | |
| 75197-*002 | 10 | 80 | 0 | 20.00 | 18.00 | 6.25 | 0.76 | |
| 75197-*502 | 25 | 200 | 0 | 50.00 | 48.00 | | 0.76 | |
| 75197-*003 | 10 | 80 | 0 | 20.00 | 18.00 | 4.25 | 0.76 | |
| 75197-*503 | 25 | 200 | 0 | 50.00 | 48.00 | | 0.76 | |
| 75197-*004 | 10 | 80 | 0 | 20.00 | 18.00 | 5.15 | 0.76 | |
| 75197-*504 | 25 | 200 | 0 | 50.00 | 48.00 | | 0.76 | |

MATERIAL NUMBER ASSIGNMENT

75197- ** **
 SEE TABLE
 NUMBER OF COLUMNS/PLATING
 10 = 10 COLUMN TIN/LEAD
 25 = 25 COLUMN TIN/LEAD
 90 = 10 COLUMN MATTE TIN
 85 = 25 COLUMN MATTE TIN

| SEE SHEET 1 EC NO: UCP2006-0059 DRWN: KMULVEY 2005/07/13 CHKD: 2005/07/13 APPR: SREED 2005/07/15 | QUALITY SYMBOLS | GENERAL TOLERANCES (UNLESS SPECIFIED) | DIMENSION STYLE | SCALE | DESIGN UNITS | THIRD ANGLE PROJECTION | | | | | | | | | | | | | | | |
|--|--|---|-----------------|--------------|--------------|------------------------|--------------|--------|--------------------|------------|-------------|----------|---------|------------|--|-------|-------|---------|-------|--------|--|
| | $\nabla=0$ $\nabla=0$ | <table border="1"> <tr> <th></th> <th>mm</th> <th>INCH</th> </tr> <tr> <td>4 PLACES</td> <td>± ---</td> <td>± ---</td> </tr> <tr> <td>3 PLACES</td> <td>± ---</td> <td>± ---</td> </tr> <tr> <td>2 PLACES</td> <td>± ---</td> <td>± ---</td> </tr> <tr> <td>1 PLACE</td> <td>± ---</td> <td>± ---</td> </tr> </table> | | mm | INCH | 4 PLACES | ± --- | ± --- | 3 PLACES | ± --- | ± --- | 2 PLACES | ± --- | ± --- | 1 PLACE | ± --- | ± --- | MM ONLY | 2.5:1 | METRIC | |
| | | mm | INCH | | | | | | | | | | | | | | | | | | |
| | 4 PLACES | ± --- | ± --- | | | | | | | | | | | | | | | | | | |
| | 3 PLACES | ± --- | ± --- | | | | | | | | | | | | | | | | | | |
| 2 PLACES | ± --- | ± --- | | | | | | | | | | | | | | | | | | | |
| 1 PLACE | ± --- | ± --- | | | | | | | | | | | | | | | | | | | |
| | ANGULAR ±1/2° | <table border="1"> <tr> <th>DRAWN BY</th> <th>DATE</th> </tr> <tr> <td>MBANDURA</td> <td>2002/10/07</td> </tr> <tr> <th>CHECKED BY</th> <th>DATE</th> </tr> <tr> <td>NMARTIN</td> <td>2002/10/07</td> </tr> <tr> <th>APPROVED BY</th> <th>DATE</th> </tr> <tr> <td>CBIXLER</td> <td>2002/10/07</td> </tr> </table> | DRAWN BY | DATE | MBANDURA | 2002/10/07 | CHECKED BY | DATE | NMARTIN | 2002/10/07 | APPROVED BY | DATE | CBIXLER | 2002/10/07 | TITLE VHM LITE 8 ROW OPEN END BACKPLANE SALES ASSEMBLY | | | | | | |
| DRAWN BY | DATE | | | | | | | | | | | | | | | | | | | | |
| MBANDURA | 2002/10/07 | | | | | | | | | | | | | | | | | | | | |
| CHECKED BY | DATE | | | | | | | | | | | | | | | | | | | | |
| NMARTIN | 2002/10/07 | | | | | | | | | | | | | | | | | | | | |
| APPROVED BY | DATE | | | | | | | | | | | | | | | | | | | | |
| CBIXLER | 2002/10/07 | | | | | | | | | | | | | | | | | | | | |
| | DRAFT WHERE APPLICABLE MUST REMAIN WITHIN DIMENSIONS | <table border="1"> <tr> <th>MATERIAL NO.</th> <th>DOCUMENT NO.</th> <th>SHEET NO.</th> </tr> <tr> <td>SEE CHART</td> <td>SD-75197-001</td> <td>2 OF 2</td> </tr> </table> | MATERIAL NO. | DOCUMENT NO. | SHEET NO. | SEE CHART | SD-75197-001 | 2 OF 2 | MOLEX INCORPORATED | | | | | | | | | | | | |
| MATERIAL NO. | DOCUMENT NO. | SHEET NO. | | | | | | | | | | | | | | | | | | | |
| SEE CHART | SD-75197-001 | 2 OF 2 | | | | | | | | | | | | | | | | | | | |