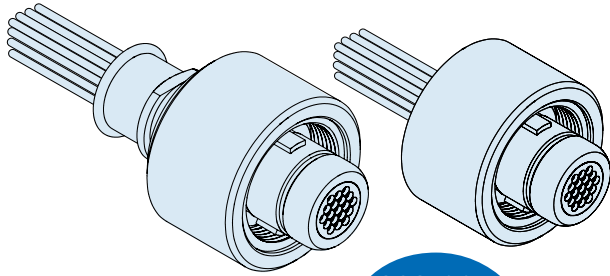


# 892-006 Circular Threaded, Plug Connector with Insulated Wire



**MATES WITH**  
892-001,  
892-003,  
892-005,  
893-009,  
893-011

**Glenair Threaded Coupling Plug Connectors** feature gold alloy TwistPin contacts, offering premium performance and reliability for demanding applications. Available with or without backshell, overmolded or shrink boot.

**Choose Aluminum or Stainless Steel Shells** in 6 layouts from 4 to 55 contacts. These connectors are intermateable with 892-001, 892-003, 892-005, 893-009, and 893-011 threaded coupling receptacle connectors.

How To Order Circular Nano Connectors		892	-006	-02	1-7	N	A2	-0	A	7	-12
<b>Sample Part Number</b>											
<b>Series</b>	892 - Nano Circular with Insulated Wire										
<b>Shell Style</b>	006 - Threaded Coupling Plug										
<b>Accessory</b>	01 - No Backshell 02 - With Backshell 03 - Overmolded 04 - Shrink Boot										
<b>Shell Size/Contact Arrangement</b>	1-4 - Shell Size 1 with 4 contacts		3-37 - Shell Size 3 with 37 contacts								
	1-7 - Shell Size 1 with 7 contacts		4-44 - Shell Size 4 with 44 contacts								
	2-19 - Shell Size 2 with 19 contacts		4-55 - Shell Size 4 with 55 contacts								
	See Table I										
<b>Polarization</b>	N - Normal A - Alternate										
<b>Shell Material/Finish</b>	A2 - Aluminum/Electroless Nickel		S1 - Stainless Steel/Zinc Cobalt (Black)								
	A5 - Aluminum/Gold Over Nickel		S2 - Stainless Steel/Passivated								
<b>Wire Gauge</b>	0 - 30 AWG 2 - 32 AWG										
<b>Wire Type</b>	A - Ultralightweight XLETFE insulation, silver coated ultrahigh strength copper B - Extruded PTFE insulation, silver-coated copper NEMA HP3-ETX (MIL-W-16878/6) C - Cross linked modified ETFE insulation, silver coated high strength copper. MIL-W-22759/33 (not available in #32 AWG)										
<b>Wire Color</b>	1 - White 2 - Yellow 7 - 10 Color repeating (Wire type A is striped, types B and C are solid colors)										
<b>Wire Length (Inches)</b>	12 = 12.00 + 1.00 Inches										

Size 1-4 4 Contacts	Size 1-7 7 Contacts	Size 2-19 19 Contacts	Size 3-37 37 Contacts	Size 4-44 44 Contacts	Size 4-55 55 Contacts

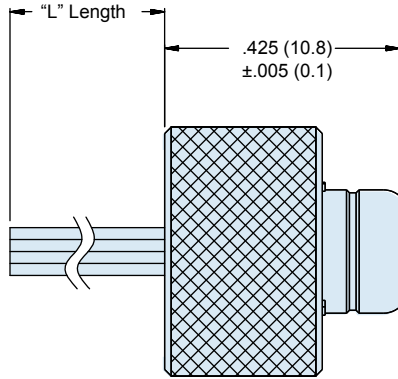
Dimensions in inches (millimeters) and are subject to change without notice.

# 892-006

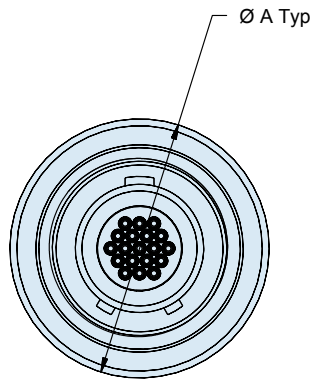
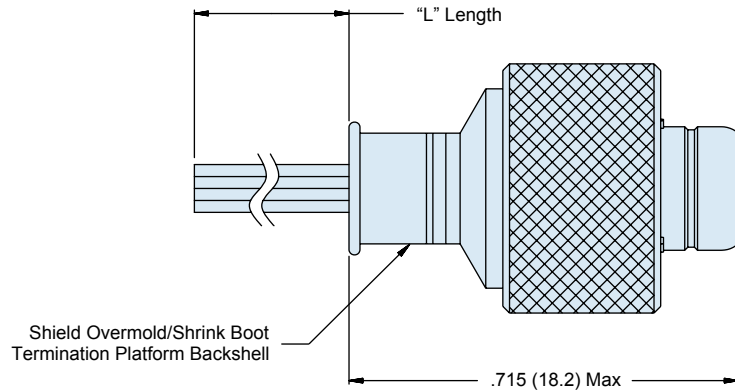
## Circular Threaded, Plug Connector with Insulated Wire

Table II: Dimensions

892-006-01 Without Termination Platform



892-006-02 With Termination Platform



Size	Ø A +/- .005
1-4	.425 (10.8)
1-7	.425 (10.8)
2-19	.479 (12.2)
3-37	.526 (13.4)
4-44	.558 (14.2)
4-55	.558 (14.2)

**Material/Finish:**

- Shell/coupling ring/backshell - see part number breakdown
- Insulator - LCP/na
- Pin contacts - gold alloy
- Snap ring - stainless steel/passivated

Dimensions in inches (millimeters) and are subject to change without notice.