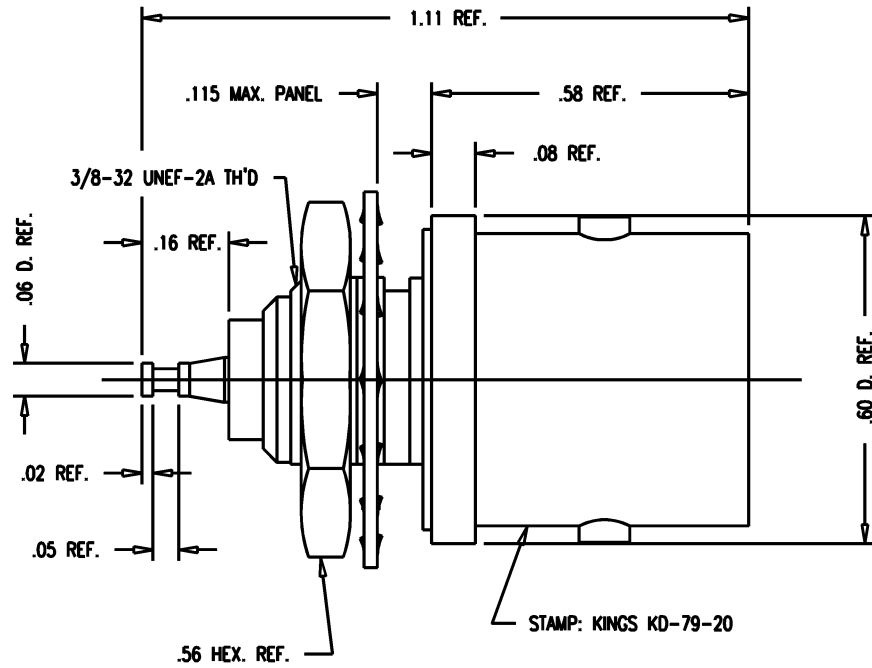


DASH NO.	M CODE	MADE FROM
----------	--------	-----------

GSD

KD-79-20

REVISIONS	
ISSUE	CHANGES
3	CN 20660 E GJG 05/15/80



NOTES:

1. MATERIALS:

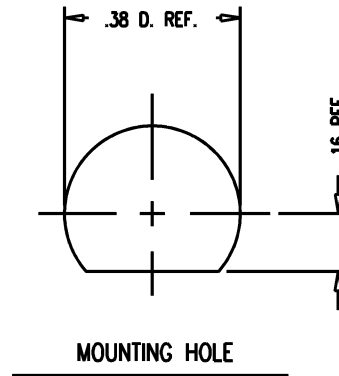
- INSULATOR-TEFLON, ASTM-D-1457
- GASKET-SILICONE RUBBER, ZZ-R-765
- LOCKWASHER-PHOSPHOR BRONZE, QQ-B-750
- CENTER CONTACT-BER. COP., ASTM-B-196
- ALL OTHER METAL PARTS-BRASS, QQ-B-626

2. FINISHES:

- CENTER CONTACT-SILVER PLATE PER QQ-S-365
- ALL OTHER METAL PARTS-KINGS TARNISH RESISTANT FINISH (TR-5)

3. ELECTRICAL CHARACTERISTICS:

- NOMINAL IMPEDANCE-50 OHMS
- FREQUENCY RANGE-DC TO 11 GHZ
- WORKING VOLTAGE-1000 VRMS



KAM1207

SCALE 4:1

APPROX SURFACE AREA

USED ON

REF:

RECEPTACLE, C

DRAWN KH	DATE 06/13/91
DESIGN MJB	DATE 06/13/91
APPR.	DATE

KINGS
ELECTRONICS CO., INC.
TUCKAHOE, NEW YORK 10707

KD-79-20

GSD