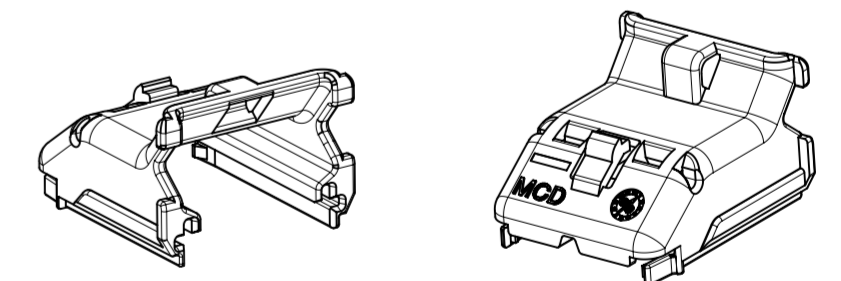
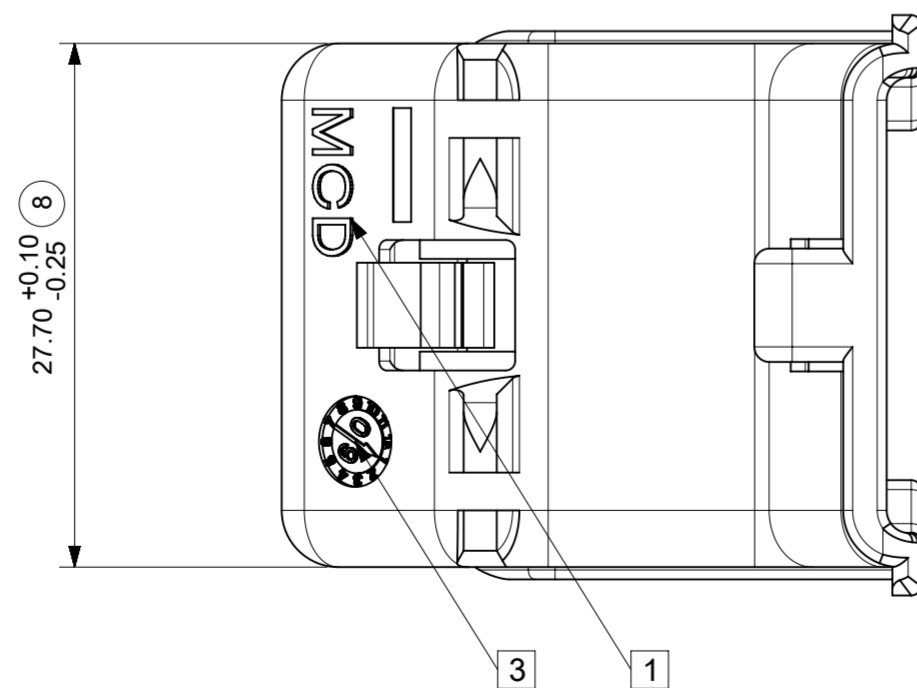
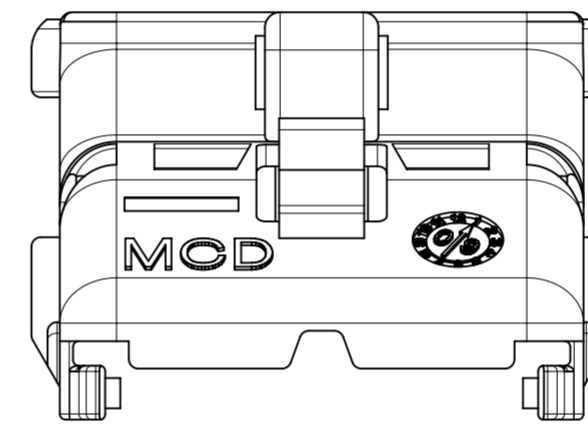
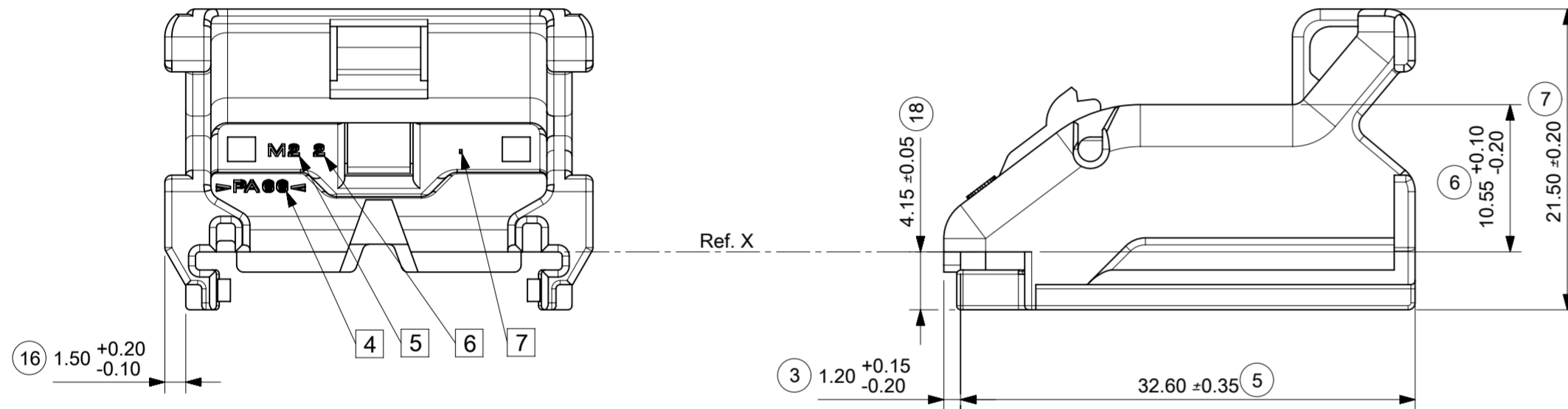


NOTES:

- 1- MATERIAL: PA 6.6 BLACK heat stabilized.
- 2- DELIVERED PRODUCT WEIGHT: 3.6g
- 3- RELATED COUNTERPART FEMALE CONNECTORS (32 WAYS, 22 WAYS).
- 4- ALL DIMENSIONS ARE TAKE OVER FROM THE 3D MODEL.

MARKINGS:

- 1 Supplier identification.
- 3 Date: MONTH/YEAR.
- 4 Material.
- 5 Mould identification M1 or M2.
- 6 Print identification (number).
- 7 Revision level



1:1

THIS DRAWING CONTAINS INFORMATION THAT IS PROPRIETARY TO MOLEX ELECTRONIC TECHNOLOGIES, LLC AND SHOULD NOT BE USED WITHOUT WRITTEN PERMISSION									
DIMENSION UNITS		SCALE		CURRENT REV DESC: NX RE-MASTERING					
mm		2.5:1		<b>molex</b> CMC WIRE CAP 32, 22 WAY MAT SEAL VERSION PRODUCT CUSTOMER DRAWING					
GENERAL TOLERANCES (UNLESS SPECIFIED)									
ANGULAR TOL		± 0.0°							
4 PLACES		± 0.0							
3 PLACES		± 0.0							
2 PLACES		± 0.0		EC NO: 116806		2018/03/13		DOCUMENT NUMBER	
1 PLACE		± 0.0		DRWN: PGRANDCL		2013/04/15		SD-64319-002	
0 PLACES		± 0.0		APPR: CBOUCHAN		2014/02/03		PSD 001 D1	
DRAFT WHERE APPLICABLE MUST REMAIN WITHIN DIMENSIONS		FIRST ANGLE PROJECTION		DRAWING		SERIES		MATERIAL NUMBER	
				A2-SIZE		64319		643191201	
DOCUMENT STATUS		P1		RELEASE DATE		2018/06/14 12:23:30		CUSTOMER	
								GENERAL MARKET	
								SHEET NUMBER	
								1 OF 1	