



Model number

WCS3R-LS267-Y214669

Read head, RS-485 interface, with RS-485 termination resistor

Features

- RS 485 interface
- Non-contact, absolute position encoder
- Automatic detection of dirt accumulation
- Output of position and speed

Accessories

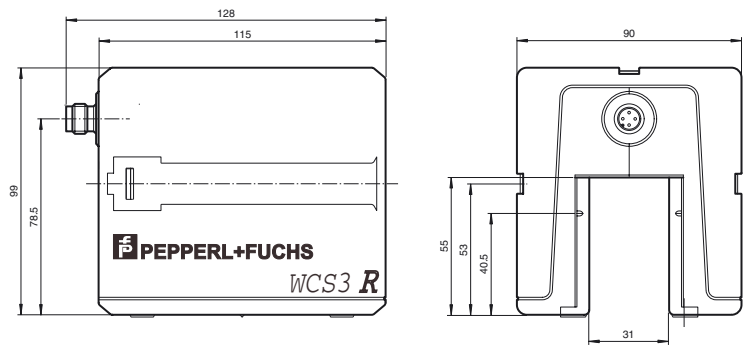
WCS-MP1

Mounting plate for reading heads WCS2 and WCS3

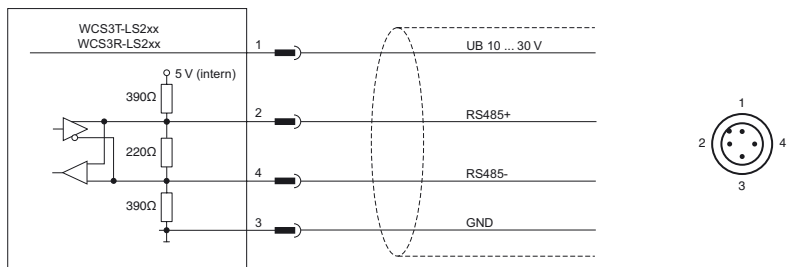
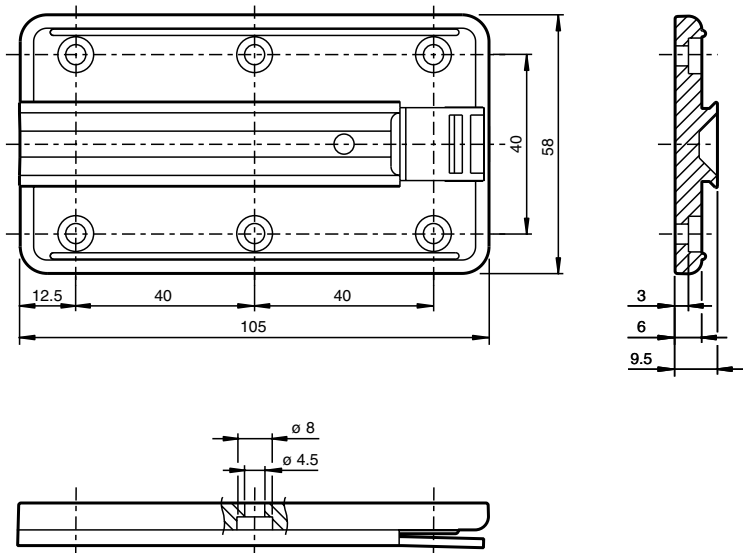
Note

with RS-485 interface

Dimensions



Mounting plate



Technical data

General specifications

Passage speed	v	≤ 4 m/s
Measuring range		max. 152 m
Free tolerances to code rail		horizontal: 31 mm (± 15.5 mm) vertical: 28 mm (± 14 mm)
Resolution		± 0.6 mm (833.3 positions/m)

Release date: 2015-02-27 09:34 Date of issue: 2015-02-27 214669_eng.xml

Functional safety related parameters

MTTF _d	50 a
Mission Time (T _M)	10 a
Diagnostic Coverage (DC)	0 %

Indicators/operating means

Operation indicator	LED green: power on
Data flow indicator	LED yellow: data communication active
Error indicator	LED red flashing: read head outside of code rail solid on: internal diagnostic test failed

Electrical specifications

Operating voltage	U _B	10 ... 30 V DC
Power consumption	P ₀	2 VA

Interface

Interface type	RS 485 interface
Data output code	binary code
Protocol	WCS data protocol 3 no parity, 8 data bits, 1 stop bit
Transfer rate	Baud rate 38.4 kBit/s
Termination	with RS 485 termination

Standard conformity

Emitted interference	DIN EN 61000-6-4 , DIN EN 12015
Noise immunity	DIN EN 61000-6-2 , DIN EN 12016
Shock resistance	DIN EN 60068-2-27, half sine 30 g, 18 ms
Vibration resistance	DIN EN 60068-2-6, sine, 5 g, 10 - 2000 Hz, 10 cycles

Ambient conditions

Operating temperature	0 ... 60 °C (32 ... 140 °F)
Storage temperature	-40 ... 85 °C (-40 ... 185 °F)
Relative humidity	90 % , noncondensing

Mechanical specifications

Connection type	4-pin, M12 x 1 connector
Degree of protection	IP54
Material	
Housing	ABS , PC (Polycarbonate)
Mass	500 g

General information

Ordering information	Mounting plate included with delivery
----------------------	---------------------------------------