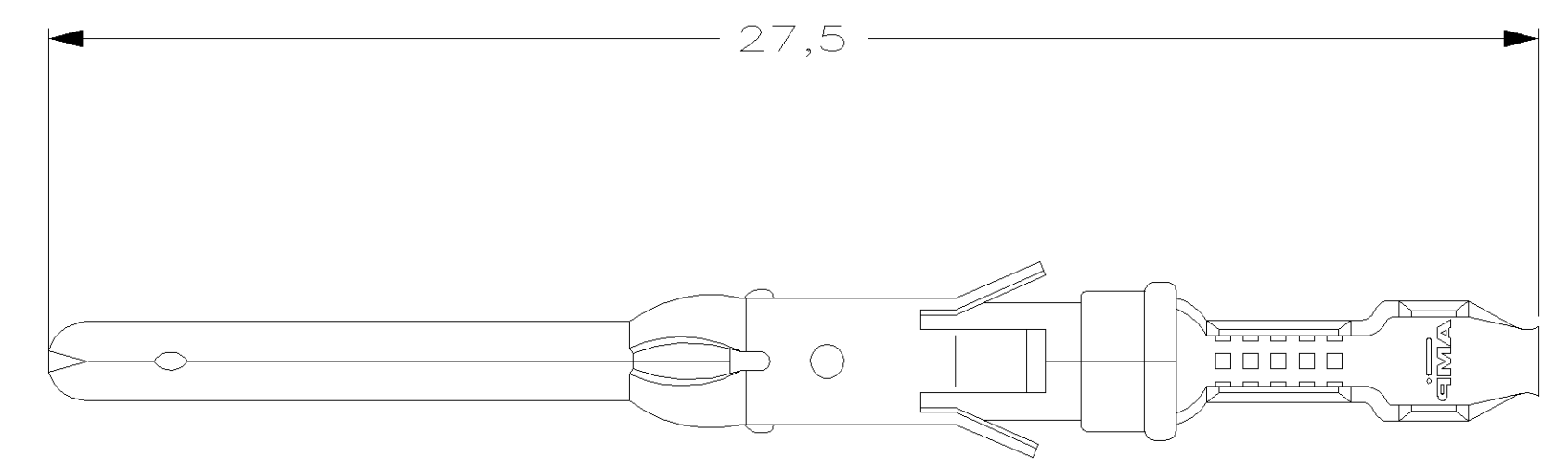
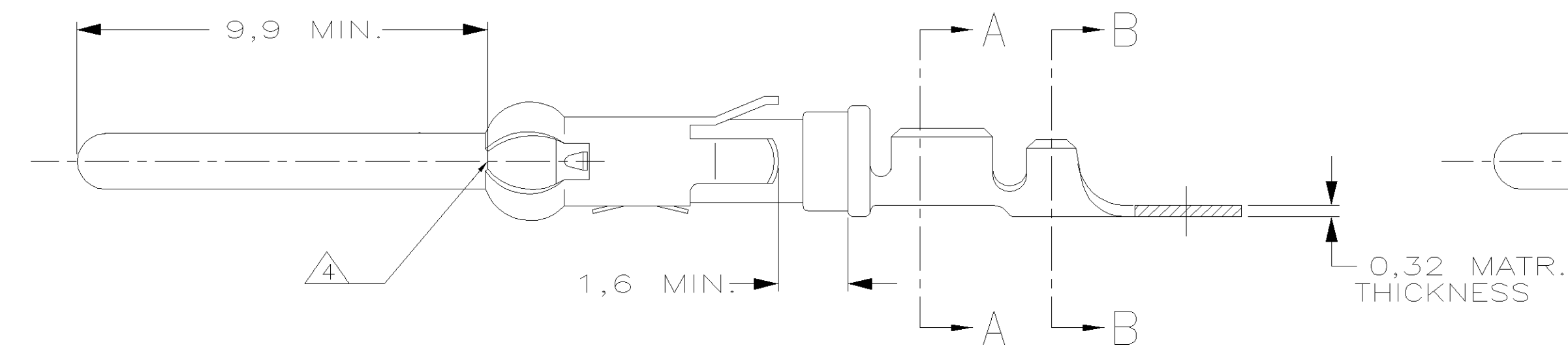


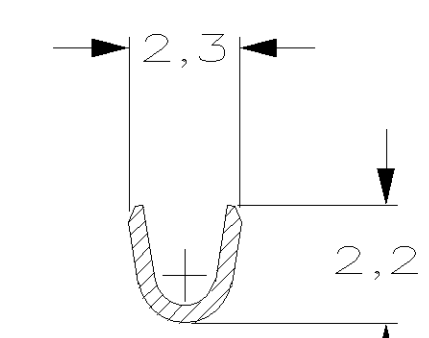
STRIP



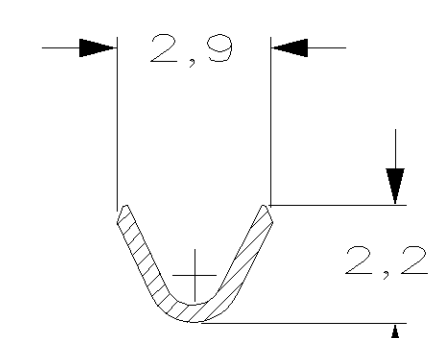
LOOSE-PIECE



COLOR CODE:YELLOW



SECTION A-A



SECTION B-B

WIRE RANGE : 0,20-0,50 mm? (24-20 AWG)
INSUL. RANGE : 1,1 -1,8 mm (.045-.070)

1-163085-4	1	A	1-163086-1	BRASS	EL.TIN	31	20
1-163085-3		A	1-163086-3	BRASS	BR. TIN		30
5-163085-3	5	C		BRASS	ECON.GOLD	21	
5-163085-2	1/5	C		BRASS	SEL.GOLD	22	
5-163085-1	1/5	C		BRASS	EL.TIN	20	
1-163085-2		B		BRASS	GOLD	23	
1-163085-1		A		BRASS	ECON.GOLD	21	
1-163085-0		B	1-163086-0	BRASS	ECON.GOLD	21	
163085-9		A		BRASS	EL.TIN	20	
163085-8		A		BRASS	SEL.GOLD	22	
163085-2	1	B	163086-2	BRASS	SEL.GOLD	22	
163085-1	1	B	163086-1	BRASS	EL.TIN	20	

AMPOMATOR + MINI-APPL 107-3-FIG.1	A
107-3-FIG.2	B
107-3-FIG.4	C

NOTES	MATERIAL	THICKNESS	AREA
20	TIN	2,0 μm	ALL OVER
21	NICKEL GOLD TIN	0,8 μm	ALL OVER CONTACT AREA BARREL
22	NICKEL GOLD GOLD	0,8 μm	ALL OVER CONTACT AREA ALL OVER
23	NICKEL GOLD GOLD	1,2 μm	ALL OVER CONTACT AREA ALL OVER
27	NICKEL SILVER TIN	2,5 μm	ALL OVER CONTACT AREA BARREL
28	SILVER	0,5 μm	ALL OVER
29	SILVER	2,5 μm	ALL OVER
30	NICKEL BRIGHT TIN	1,27 μm 1,27 μm	ALL OVER ALL OVER
31	LUBRICATED		

AC	EBD0-0463-04	RS	MG	13/12/04	
AB	EBD0-0335-04	JMS	FWK	02/08/04	
V	EB00-0341-02	PB	SS	3 OCT 02	
T1	EH-1189-95	D.K.	R.V.	06 OCT 95	
T	EH-0302-94	JvL	MvD	03-05-94	
S	ECN H-9526	MvD	RD	06-02-92	
R	ECN H-9192	MvD	RD	09-10-91	
LTR.	REVISION RECORD	DR.	CHK.	DATE	
DR.:	-	CHK.:	-	APP.:	-
DATE:	-	DATE:	-	DATE:	-

CUSTOMER DRAWING FOR REFERENCE ONLY
WILL NOT BE UPDATED

© COPYRIGHT 19 - BY AMP HOLLAND B.V.
ALL INTERNATIONAL RIGHTS RESERVED. AMP PRODUCTS MAY BE
COVERED BY U.S. AND FOREIGN AND/OR PATENTS PENDING.
THIS DRAWING IS UNPUBLISHED
RELEASED FOR PUBLICATION - ,19 -

AMP | AMP HOLLAND B.V.
's-Hertogenbosch,
The Netherlands.

NAME

TYPE_III_PIN_CONTACT
SIZE_16

DWG.No. 163085

REV.LTR. **AC** SHEET 1 OF 1

- NOTES :
- 1 U.L.RECONIZED UNDER FILE E28476 VOL.VI SEC.I
 - 2 FOR CRIMPDETAILS SEE AMP-SPEC. 114-19.000 .
 - 3 MEETS PRODUCTSPECIFICATION 108-10042.
 - 4 0,40 MAX. GAP BETWEEN SPRING-NOSE AND CONTACT BODY.
 - 5 SPECIAL REEL WITH 200 PCS FOR REEL-FED HAND-TOOL