
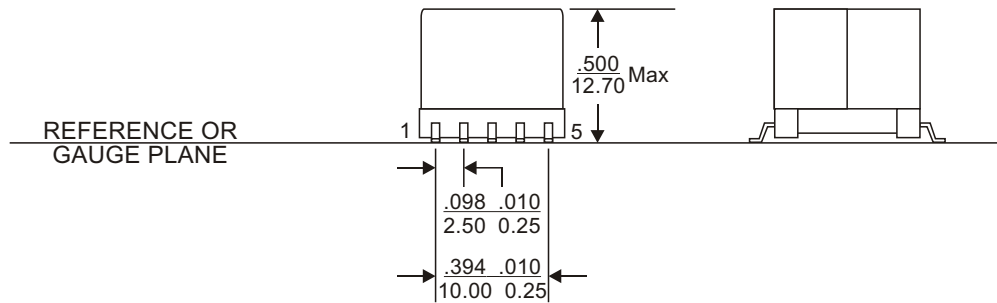
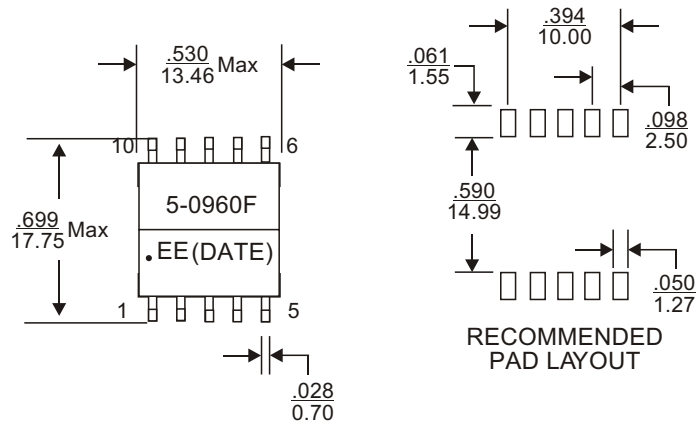


REVISIONS			
REV.	DESCRIPTION	ECN NO.	DATE
01	FIRST RELEASE	N/A	01/15/13

When ordering, please add suffix "T" to the part number for tape & reel packaging(13" reel).

**PAGE 4 IS FOR INTERNAL USE**

PART NUMBER		PART DESCRIPTION		TITLE										
835-00960F		RoHS compliant per EU Directive 2011/65/EU		PXFM, FLYBACK, EP13, 13W, SMT, 10 PIN										
<p align="center"><b><u>WARNING !</u></b></p> <p>ALL SHEETS OF THIS DOCUMENT ARE CONTROLLED DOCUMENTATION AND ARE NOT TO BE RELEASED OUTSIDE OF E&amp;E OR ITS SUB-CONTRACTORS WITHOUT AUTHORIZATION.</p>	<p>UNLESS OTHERWISE SPECIFIED, DIMENSIONS ARE IN INCH/mm.</p> <p align="center"><u>TOLERANCE ARE:</u></p> <table border="0"> <tr> <td><u>INCH</u></td> <td><u>mm</u></td> <td><u>ANGLE</u></td> </tr> <tr> <td>.XXX .005 .XX .13 X.X 0.3</td> <td></td> <td></td> </tr> <tr> <td>.XX .02 .X .5 X. 1</td> <td></td> <td></td> </tr> </table>	<u>INCH</u>	<u>mm</u>	<u>ANGLE</u>	.XXX .005 .XX .13 X.X 0.3			.XX .02 .X .5 X. 1			APPROVALS	DATE	 E & E Magnetic Products Ltd.	
		<u>INCH</u>	<u>mm</u>	<u>ANGLE</u>										
		.XXX .005 .XX .13 X.X 0.3												
		.XX .02 .X .5 X. 1												
		DRAWN BY												
PROJ. ENG	F.W.NIE	01/15/13	DRAWING NO./MODEL		REV									
APPROVED BY	S.HONG	01/15/13												
Q.A.	J.YANG	01/15/13	835-00960F		01									
	D.LUO	01/15/13												
		SCALE	PAGE	OF										
		DO NOT SCALE	1	4										



## MECHANICAL OUTLINE



E & E Magnetic Products Ltd.

DRAWING NO./MODEL

835-00960F

REV

01

SCALE

DO NOT SCALE

PAGE

2

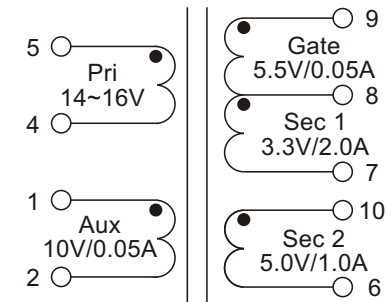
OF

4

1. Dimension are specified in  $\frac{\text{inches}}{\text{mm}}$  with higher precedence in mm.
2. Unless otherwise specified, all tolerance are  $\frac{.010}{0.25}$ .
3. Coplanarity:  $\frac{.005}{0.13}$  max.
4. "(DATE)" includes at least the manufacturing date code(in YYWW format).

**ELECTRICAL SPECIFICATION @25 C:**

PARAMETERS	UNIT	LIMITS
Turns Ratio(5-4):(1-2):(9-8):(8-7):(10-6)	-	1: 0.5: 0.278: 0.167: 0.278 2%
Polarity	-	Per Schematic
Inductance, Ls(5-4)@250kHz, 0.2Vrms	uH	35uH 10%
Inductance, Ls(5-4)@250kHz, 0.2Vrms, 2.7A	uH	30 Min
LL(5-4),short (1-2-6-7-8-9-10)@250KHz,0.2Vrms	uH	0.95 Max
DCR(5-4)		0.062 Max
DCR(1-2)		0.225 Max
DCR(9-8)		0.138 Max
DCR(8-7)		0.010 Max
DCR(10-6)		0.018 Max
HI-POT (1-2-4-5): (6-7-8-9-10)	Vrms	AC2000



**SCHEMATIC**

- Operating temperature range: -40 C to +125 C. The part temperature (ambient temperature + temperature rise) should not exceed the upper limit of the operating temperature under worst case operating conditions. Circuit design, component placement, PWB trace size and thickness, airflow and other cooling provisions all affect the part temperature. Part temperature should be verified in the end application.
- Design is compliant with Functional insulation.



**E & E Magnetic Products Ltd.**

DRAWING NO./MODEL		REV
<b>835-00960F</b>		<b>01</b>
SCALE	PAGE	OF
<b>DO NOT SCALE</b>	<b>3</b>	<b>4</b>