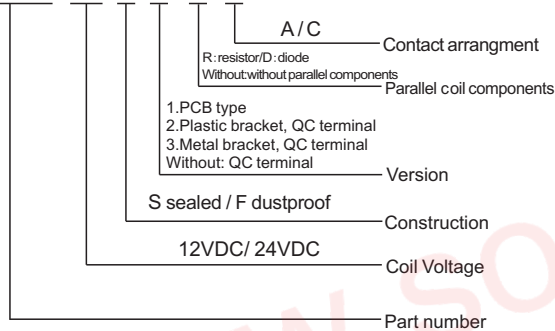


## Features

- 70A switching capability
- Extended temp.range upto 125°C
- Variety of installations
- Dustproof and sealed type

## Ordering Information

### SLDH-12-S-1-R-C



## Contact Rating

Contact arrangement	A/C
Voltage drop	≤200mV
Contact material	Silver alloy: AgCdO、AgSnO <sub>2</sub> 、AgNi
Contact rating	50A/70A 14VDC
Max switching voltage	50VDC
Max switching current	70A (Resistive 14VDC)
Min contact load	1A 6VDC
Electrical endurance (frequency: 900 ops/h)	1x10 <sup>5</sup> ops
Mechanical endurance (frequency: 18000 ops/h)	1x10 <sup>7</sup> ops

## Characteristics

Insulation system	Class B / Class F	
Insulation resistance	100MΩ (500VDC)	
Dielectric Strength	Between contacts and coil	550VAC 1minute
	Between open contacts	550VAC 1minute
Operate time(Under nominal voltage)	≤10ms	
Release time(Under nominal voltage)	≤10ms	
Humidity	85% RH (20°C)	
Ambient Temperature	-40°C~+125°C	
Shock resistance	Functional	98m/s <sup>2</sup>
	Destructive	980m/s <sup>2</sup>
Vibration resistance (Double amplitude)	10Hz~55Hz 1.5mm	
Weight	Approx 40g	
Construction	Dustproof and Sealed type	

Remark:1)All above data is initial value

## Coil Data

(at 20°C)

Power dissipation W	Voltage VDC	Current Ω ± 10%	Resistance Ω	Pick-up voltage	Drop-out voltage	Max allowable
1.6	12	90	680	70%Max	10%Min	130%
1.8	12	90				
1.6	24	360				
1.8	24	360				
1.8	24	320				
2	24	320	2700			

This product specification only for your reference, we will not notify you if we do any improvement. We reserve all the right for the final explanation



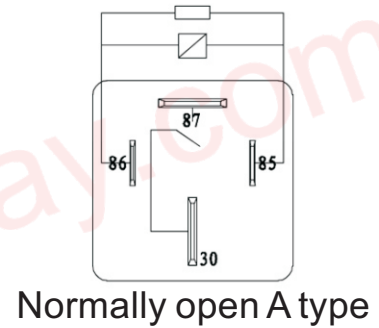
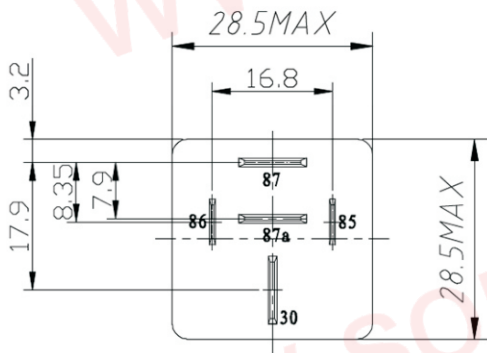
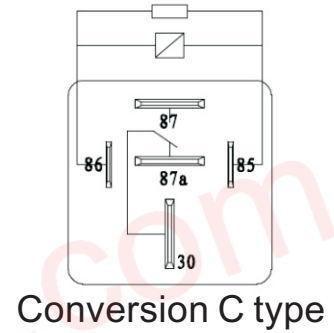
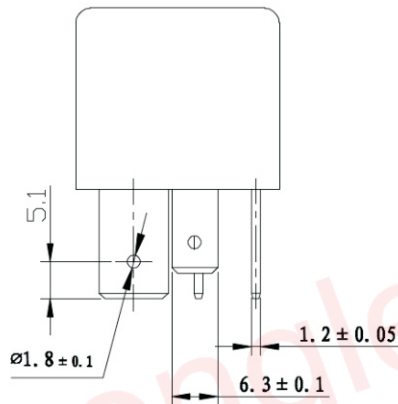
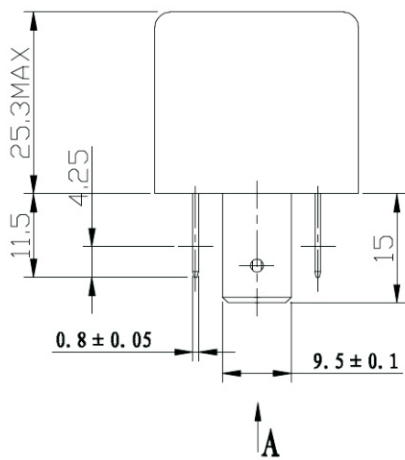
Web: [www.songle.com](http://www.songle.com) [www.songlerelay.com](http://www.songlerelay.com)

Add.: CW7, Zone A, Far East Industrial Park, Yuyao City, Zhejiang, China Zip Code: 315400

OUTLINE DIMENSIONS , WIRING DIAGRAM

Unit:mm

SLDH-12(24)-(S)-R-C(A)



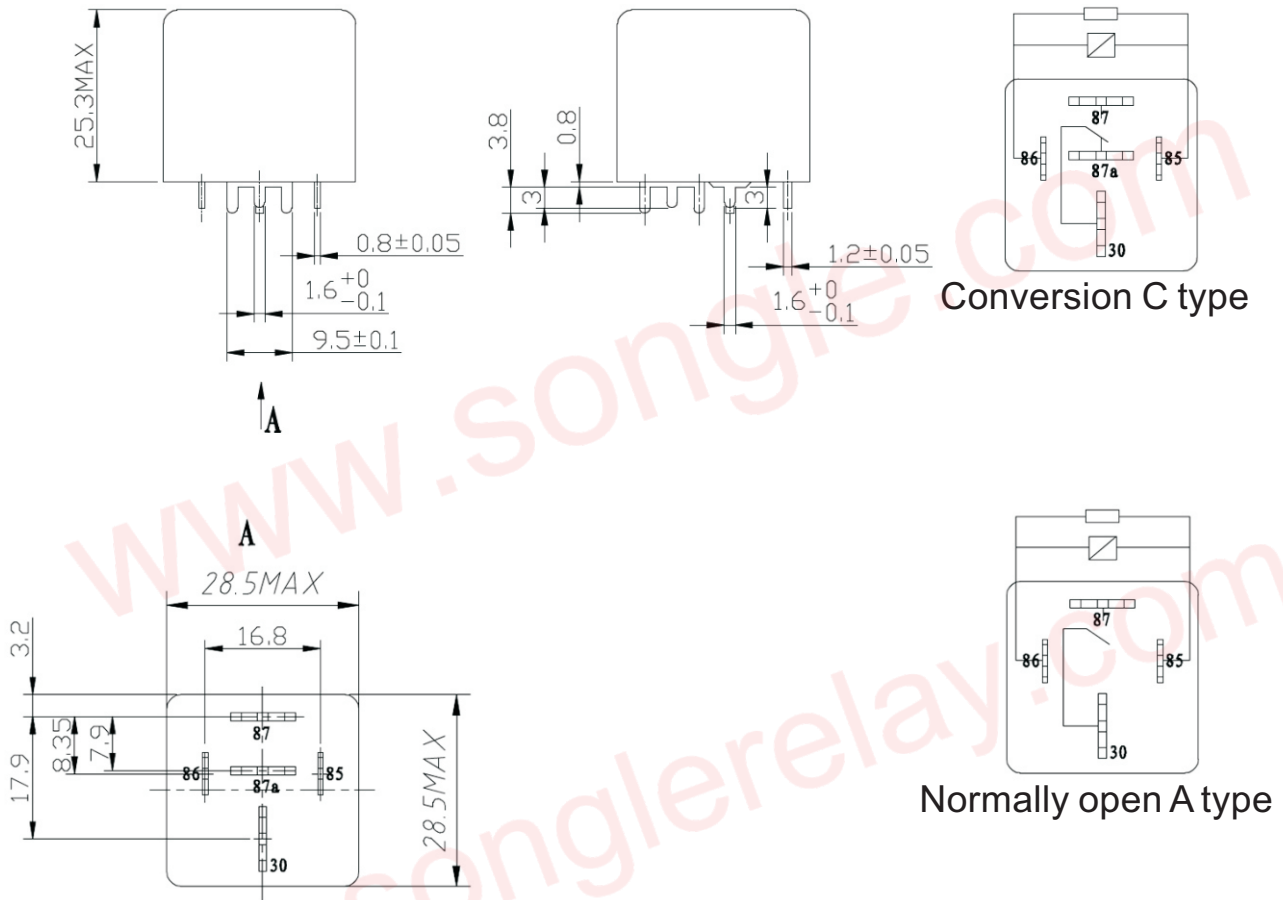
Tolerance:  $\pm 0.3$

Terminal deviation tolerance is 0.2mm

This product specification only for your reference. we will not notify you if we do any improvement. We reserve all the right for the final explanation

OUTLINE DIMENSIONS , WIRING DIAGRAM AND PC BOARD LAYOUT Unit:mm

SLDH-12(24)-(S)-1-R-C(A)



Tolerance: ±0.3

Terminal deviation tolerance is 0.2mm

This product specification only for your reference, we will not notify you if we do any improvement. We reserve all the right for the final explanation



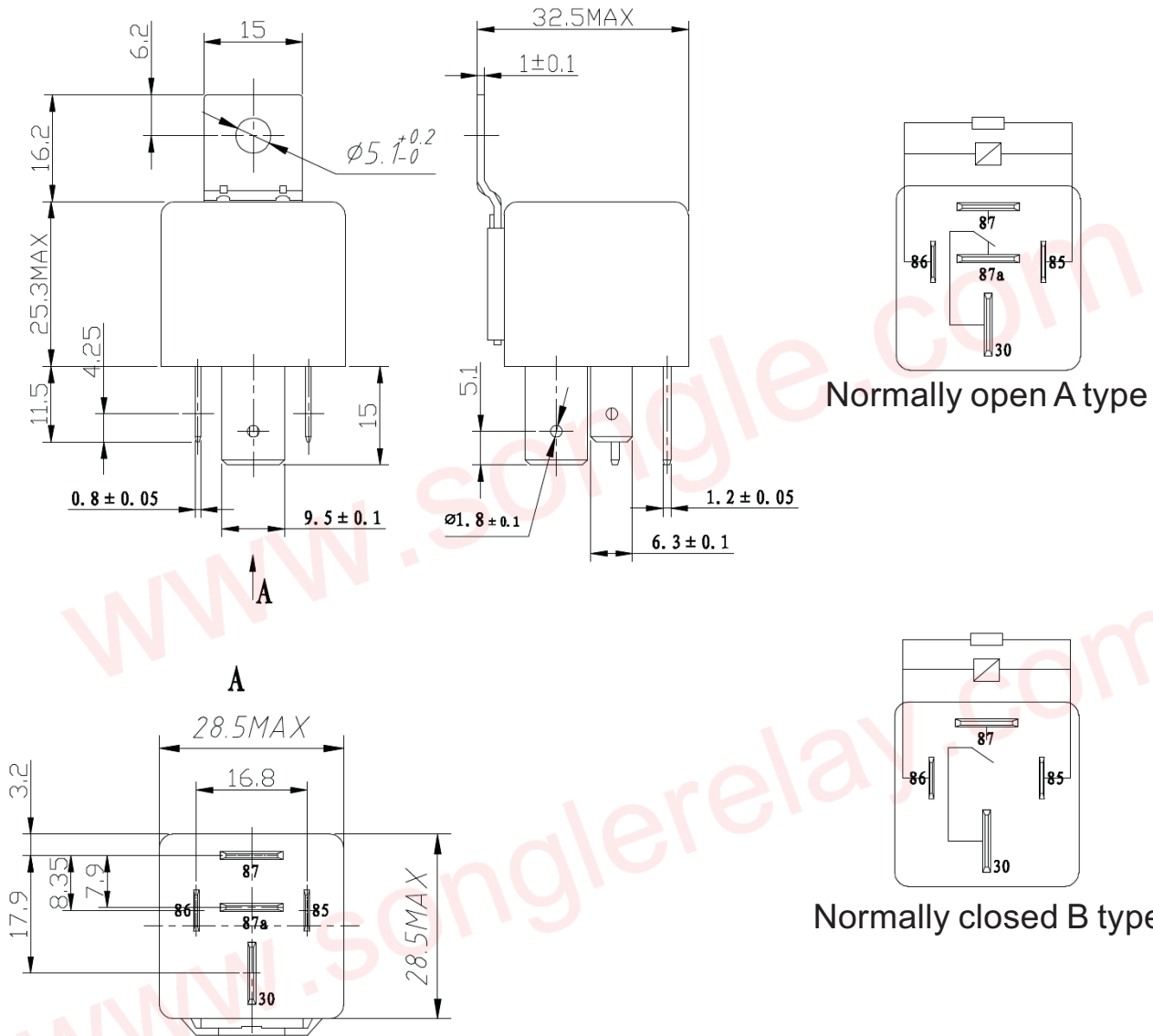
Web: [www.songle.com](http://www.songle.com) [www.songlerelay.com](http://www.songlerelay.com)

Add.: CW7, Zone A, Far East Industrial Park, Yuyao City, Zhejiang, China Zip Code: 315400

OUTLINE DIMENSIONS ,WIRING DIAGRAM

Unit:mm

SLDH-12(24)-(S)-3-R-C(A)



Tolerance:  $\pm 0.3$

Terminal deviation tolerance is 0.2mm

This product specification only for your reference, we will not notify you if we do any improvement. We reserve all the right for the final explanation



Web: [www.songle.com](http://www.songle.com) [www.songlerelay.com](http://www.songlerelay.com)

Add.: CW7, Zone A, Far East Industrial Park, Yuyao City, Zhejiang, China Zip Code: 315400