

PLEASE CHECK WWW.MOLEX.COM FOR LATEST PART INFORMATION

Part Number: [0685070811](#)
Status: **Active**
Description: 1.02mm (.040") Tab, Wire-to-Wire Housing, Male, 8 Circuits, Screw Type

Documents:

[3D Model](#) [Product Specification PS-104000-001 \(PDF\)](#)
[Drawing \(PDF\)](#) [RoHS Certificate of Compliance \(PDF\)](#)

General

Product Family Crimp Housings
 Series [68507](#)
 Product Name N/A

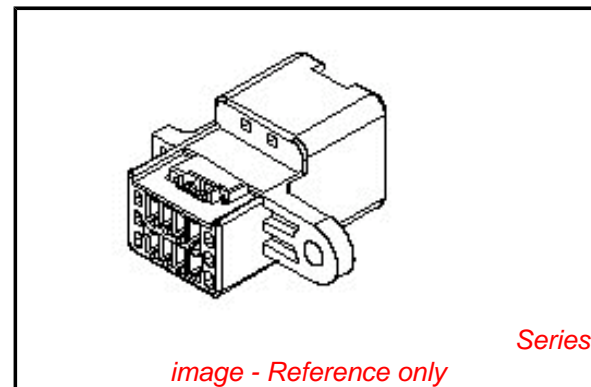
Physical

Circuits (maximum) 8
 Color - Resin Black, Yellow
 Gender Male
 Glow-Wire Compliant No
 Material - Resin Polyester
 Number of Rows 2
 Packaging Type Bag
 Panel Mount Yes
 Pitch - Mating Interface (in) 0.098 In
 Pitch - Mating Interface (mm) 2.50 mm
 Stackable No
 Temperature Range - Operating -40°C to +80°C

Material Info

Reference - Drawing Numbers

Product Specification PS-104000-001
 Sales Drawing SD-68507-004



EU RoHS

ELV and RoHS Compliant
REACH SVHC
 Not Reviewed
Halogen-Free Status

China RoHS



Need more information on product environmental compliance?

Email productcompliance@molex.com
 For a multiple part number RoHS Certificate of Compliance, [click here](#)

Please visit the [Contact Us](#) section for any non-product compliance questions.

Search Parts in this Series

[68507Series](#)

Mates With

[68508](#)

Use With

[50654](#) , [50660](#)

DO NOT SCALE DRAWING DIMENSION IN METRIC

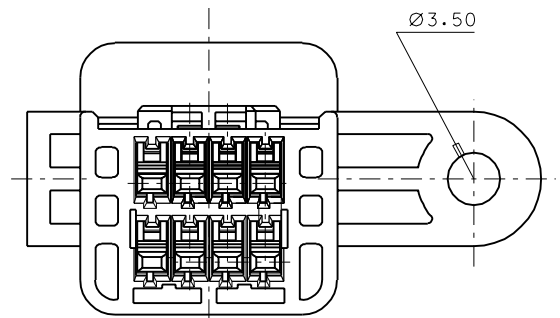
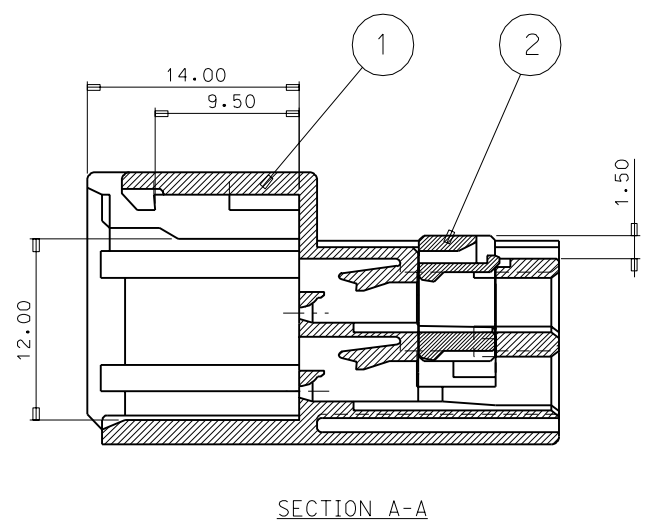
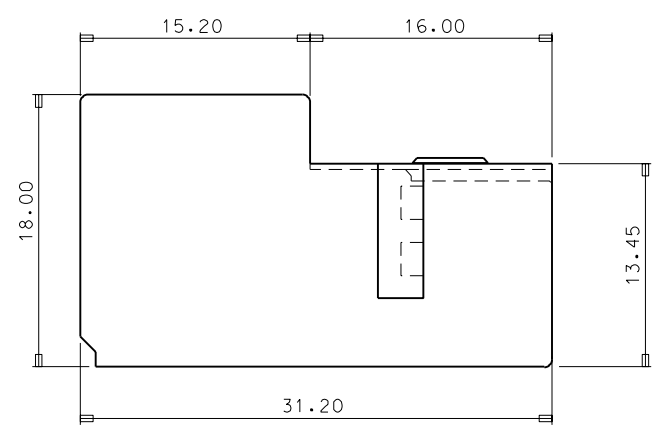
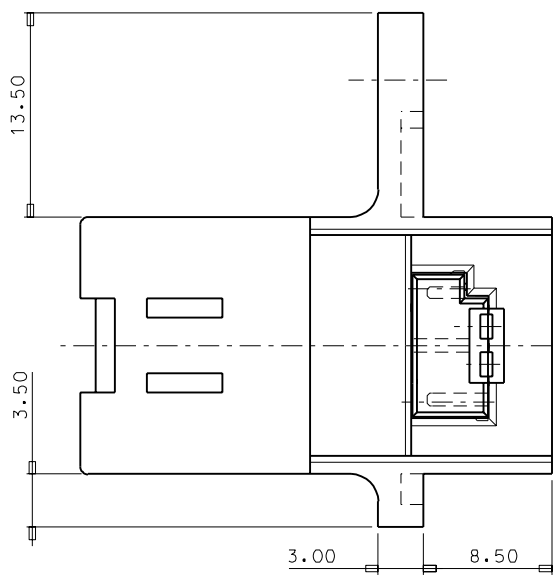
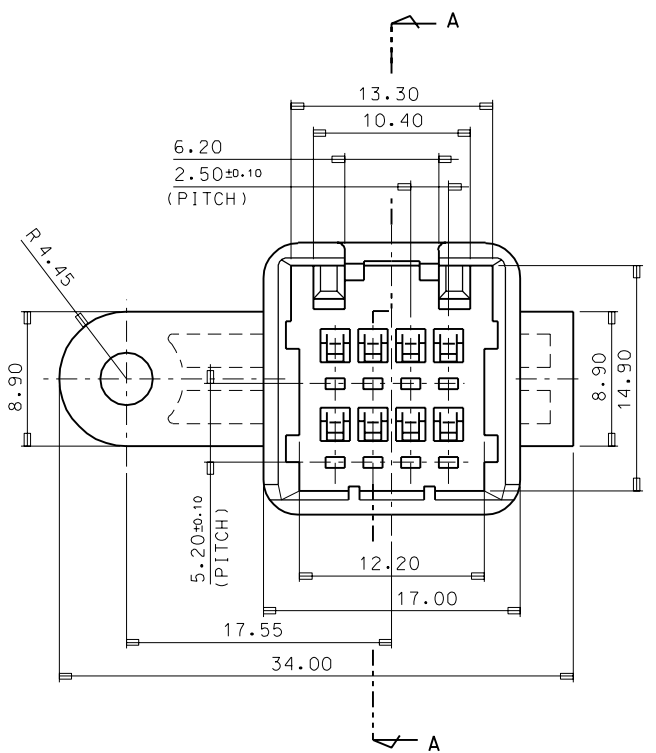
PROJECT NO.

SIMILAR ITEM

DWG. NO. SD-68507-003

NOTE
 1. MATERIAL & FINISH: SEE TABLE
 2. APPLICATION: .040 FEMALE HSG ASS'Y 8P
 (ENG. NO.:68508-0811)

NO.	PART NO.	PART NAME	MATERIAL	REMARK
1	68507-0891	.040 F/HSG	POLYESTER	BLACK
2	68509-0883	.040 F/TPA	POLYESTER	YELLOW



1	685070811	68507-0811
NO.	MATERIAL NO.	ENG. NO.

RELEASE TO MANUFACTURING EC NO.:KOR2002-0082 DRWN:H.C.RHO CHK:H.C.RHO APPR:C.W.LEE	MAJOR ▲ = CRITICAL ▽ =	DESCRIPTION REV
A		

	GENERAL TOLERANCES: (UNLESS SPECIFIED)	
	mm	INCH
4 PLACES	±0.	±.
3 PLACES	±0.	±.
2 PLACES	±0.2	±.
1 PLACE	±0.3	±.
ANGULAR: ± 1°		
DRAFT WHERE APPLICABLE MUST REMAIN WITHIN DIMENSIONS		

SCALE 3:1	DESIGN UNITS <input checked="" type="checkbox"/> mm <input type="checkbox"/> INCH	THIRD ANGLE PROJECTION
DRAWN BY & DATE H.C.RHO '01.08.14	CHECKED BY & DATE B.K.CHOI '01.08.14	APPROVED BY & DATE C.W.LEE '01.08.14
CAD FILENAME 4MHSA8P		

DIMENSIONS: <input type="checkbox"/> mm <input type="checkbox"/> INCH <input checked="" type="checkbox"/> mm ONLY		SHT REVISE ON CAD ONLY	REV
TITLE: .040 W/W MALE HOUSING ASS'Y 8P (SCREW TYPE)			
MOLEX INCORPORATED KOREA			
MATERIAL NO. SEE TABLE	DRAWING NO. SD-68507-004	SHEET NO. 10F1	
THIS DRAWING CONTAINS INFORMATION THAT IS PROPRIETARY TO MOLEX INCORPORATED AND SHOULD NOT BE USED WITHOUT WRITTEN PERMISSION.			SIZE B

DO NOT SCALE DRAWING DIMENSION IN METRIC

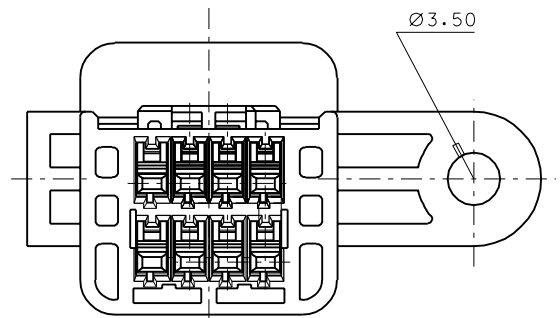
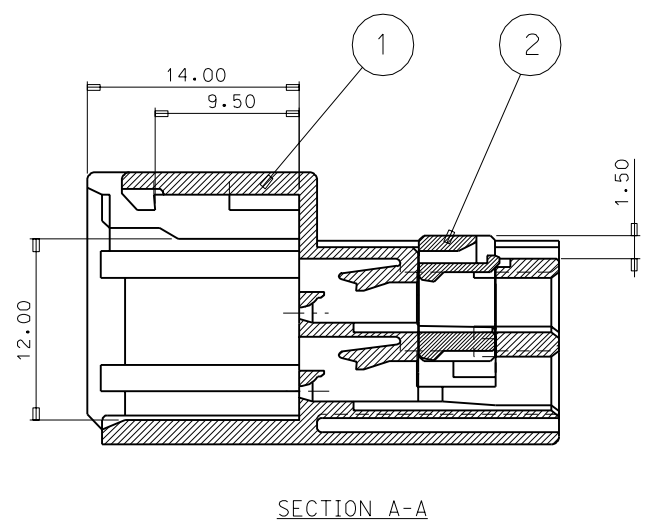
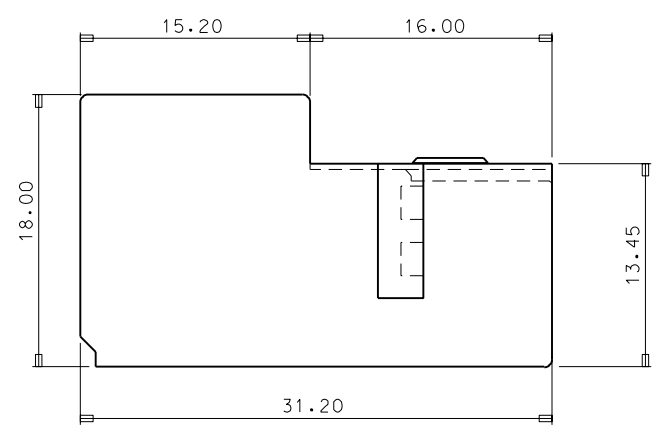
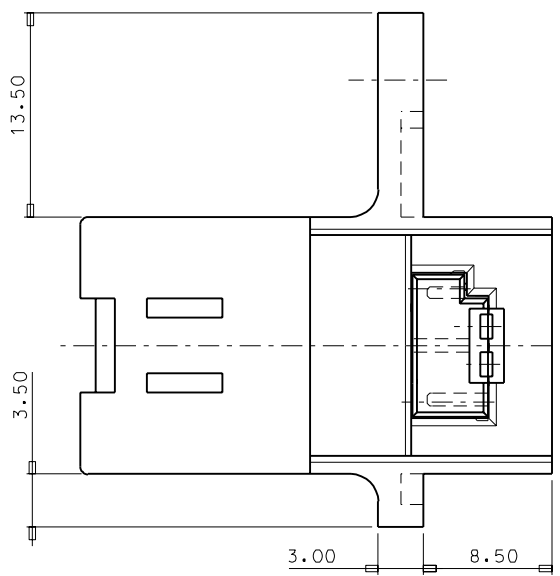
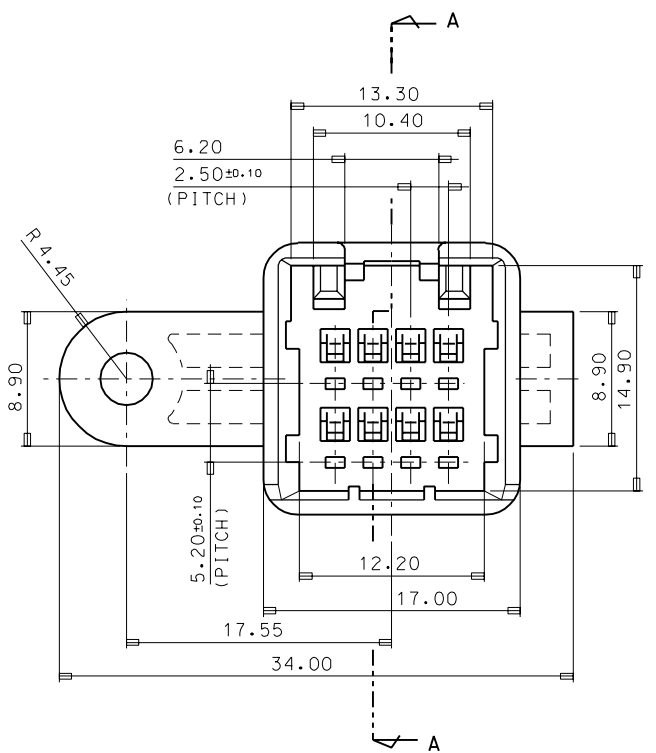
PROJECT NO.

SIMILAR ITEM

DWG. NO. SD-68507-003

NOTE
 1. MATERIAL & FINISH: SEE TABLE
 2. APPLICATION: .040 FEMALE HSG ASS'Y 8P
 (ENG. NO.:68508-0811)

NO.	PART NO.	PART NAME	MATERIAL	REMARK
1	68507-0891	.040 F/HSG	POLYESTER	BLACK
2	68509-0883	.040 F/TPA	POLYESTER	YELLOW



1	685070811	68507-0811
NO.	MATERIAL NO.	ENG. NO.

RELEASE TO MANUFACTURING EC NO.:KOR2002-0082 DRWN:H.C.RHO CHK:H.C.RHO APPR:C.W.LEE	MAJOR ▲ = CRITICAL ▽ =	DESCRIPTION REV
A		

	GENERAL TOLERANCES: (UNLESS SPECIFIED)	
	mm	INCH
4 PLACES	±0.	±.
3 PLACES	±0.	±.
2 PLACES	±0.2	±.
1 PLACE	±0.3	±.
ANGULAR: ± 1°		
DRAFT WHERE APPLICABLE MUST REMAIN WITHIN DIMENSIONS		

SCALE 3:1	DESIGN UNITS <input checked="" type="checkbox"/> mm <input type="checkbox"/> INCH	THIRD ANGLE PROJECTION <input checked="" type="checkbox"/> THIRD ANGLE
DRAWN BY & DATE H.C.RHO '01.08.14	CHECKED BY & DATE B.K.CHOI '01.08.14	APPROVED BY & DATE C.W.LEE '01.08.14
CAD FILENAME 4MHSA8P		

DIMENSIONS: <input type="checkbox"/> mm <input type="checkbox"/> INCH <input checked="" type="checkbox"/> mm ONLY		SHT REVISE ON CAD ONLY	REV
TITLE: .040 W/W MALE HOUSING ASS'Y 8P (SCREW TYPE)			
MOLEX INCORPORATED KOREA			
MATERIAL NO. SEE TABLE	DRAWING NO. SD-68507-004	SHEET NO. 10F1	SIZE B
THIS DRAWING CONTAINS INFORMATION THAT IS PROPRIETARY TO MOLEX INCORPORATED AND SHOULD NOT BE USED WITHOUT WRITTEN PERMISSION.			

DO NOT SCALE DRAWING
DIMENSION IN METRIC

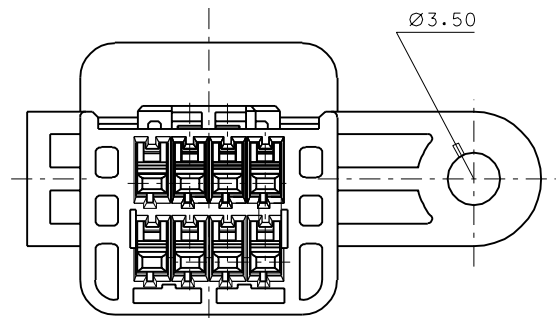
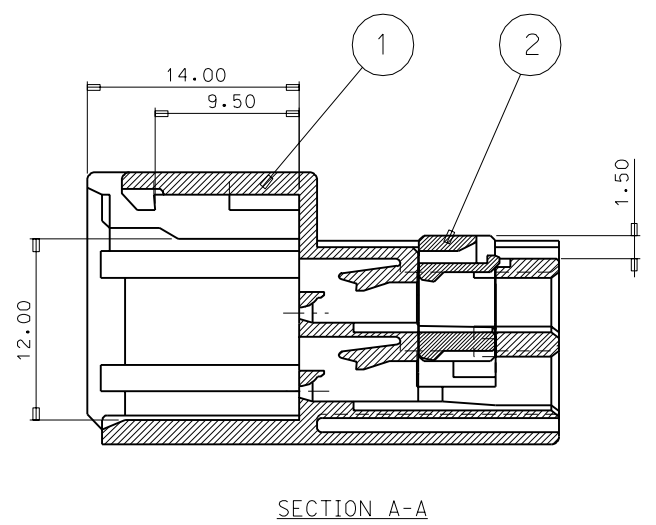
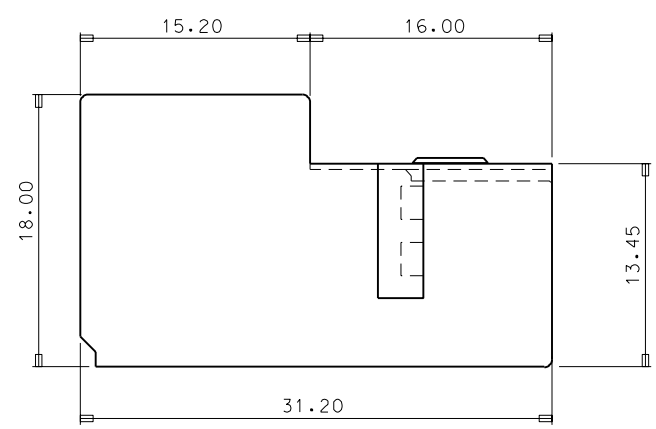
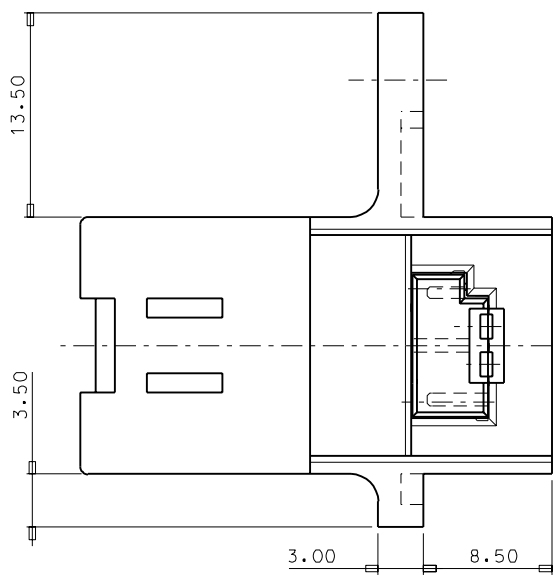
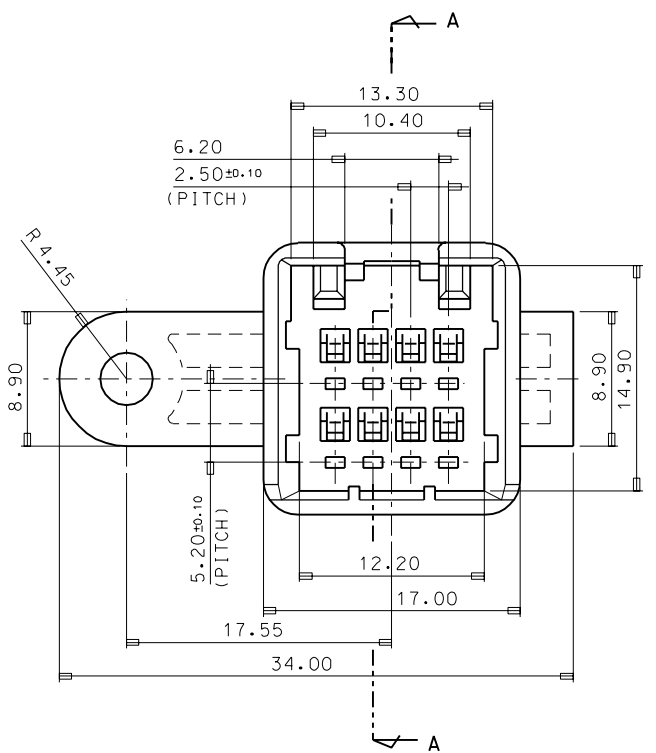
PROJECT NO.

SIMILAR ITEM

DWG. NO.
SD-68507-003

NOTE
 1. MATERIAL & FINISH: SEE TABLE
 2. APPLICATION: .040 FEMALE HSG ASS'Y 8P
 (ENG. NO.:68508-0811)

NO.	PART NO.	PART NAME	MATERIAL	REMARK
1	68507-0891	.040 F/HSG	POLYESTER	BLACK
2	68509-0883	.040 F/TPA	POLYESTER	YELLOW



1	685070811	68507-0811
NO.	MATERIAL NO.	ENG. NO.

RELEASE TO MANUFACTURING EC NO.:KOR2002-0082 DRWN:H.C.RHO CHK:H.C.RHO APPR:C.W.LEE	MAJOR =	QUALITY SYMBOLS
DESCRIPTION	CRITICAL =	
REV		

GENERAL TOLERANCES: (UNLESS SPECIFIED)	
4 PLACES	±0.1
3 PLACES	±0.1
2 PLACES	±0.2
1 PLACE	±0.3
ANGULAR: ± 1°	
DRAFT WHERE APPLICABLE MUST REMAIN WITHIN DIMENSIONS	

SCALE 3:1	DESIGN UNITS <input checked="" type="checkbox"/> mm <input type="checkbox"/> INCH
DRAWN BY & DATE H.C.RHO '01.08.14	
CHECKED BY & DATE B.K.CHOI '01.08.14	
APPROVED BY & DATE C.W.LEE '01.08.14	
CAD FILENAME 4MHSA8P	

DIMENSIONS: <input type="checkbox"/> mm <input type="checkbox"/> INCH <input checked="" type="checkbox"/> mm ONLY		SHT	REV
THIRD ANGLE PROJECTION			
TITLE: .040 W/W MALE HOUSING ASS'Y 8P (SCREW TYPE)			
MOLEX INCORPORATED KOREA			
MATERIAL NO. SEE TABLE	DRAWING NO. SD-68507-004	SHEET NO. 10F1	
THIS DRAWING CONTAINS INFORMATION THAT IS PROPRIETARY TO MOLEX INCORPORATED AND SHOULD NOT BE USED WITHOUT WRITTEN PERMISSION.			SIZE B

DO NOT SCALE DRAWING
DIMENSION IN METRIC

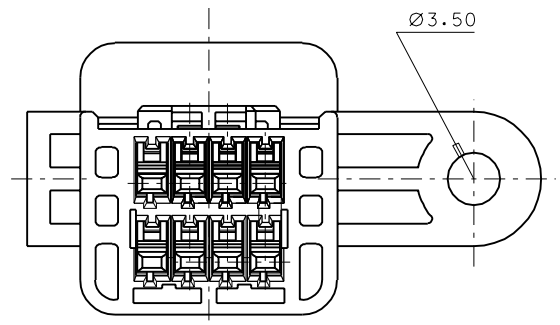
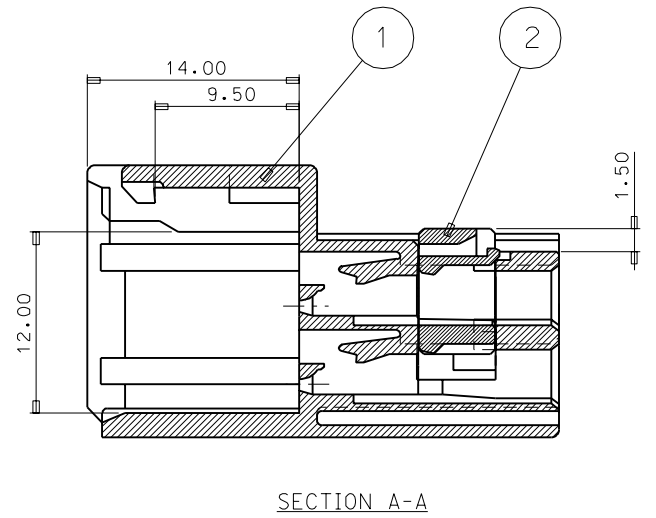
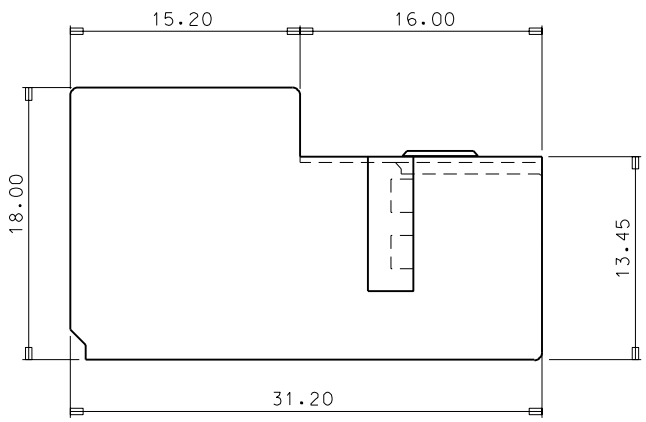
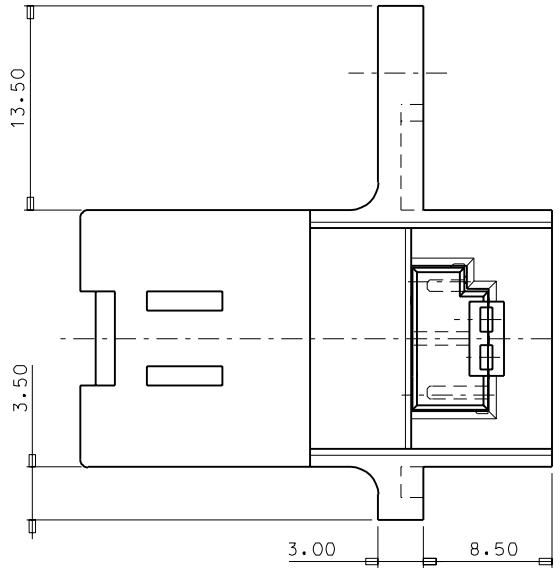
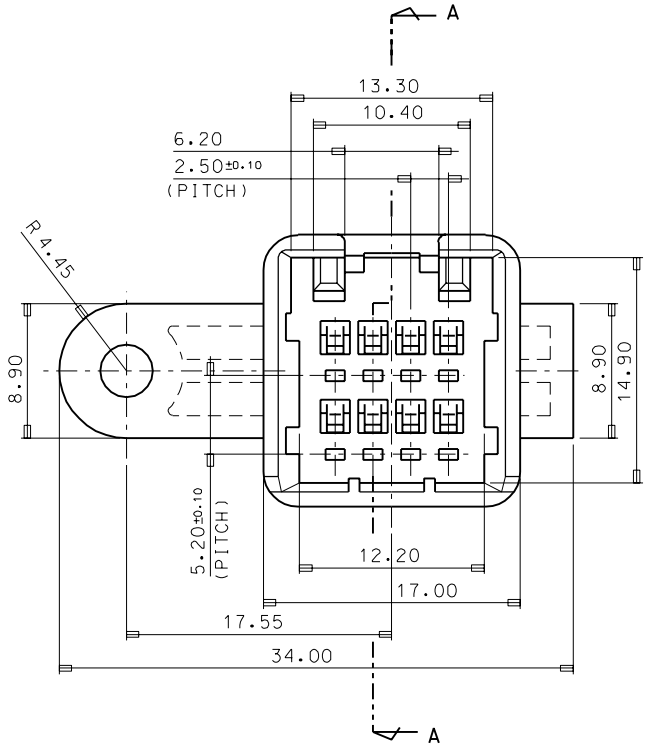
PROJECT NO.

SIMILAR ITEM

DWG. NO.
SD-68507-003

NOTE
 1. MATERIAL & FINISH: SEE TABLE
 2. APPLICATION: .040 FEMALE HSG ASS'Y 8P
 (ENG. NO.:68508-0811)

NO.	PART NO.	PART NAME	MATERIAL	REMARK
1	68507-0891	.040 F/HSG	POLYESTER	BLACK
2	68509-0883	.040 F/TPA	POLYESTER	YELLOW



1	685070811	68507-0811
NO.	MATERIAL NO.	ENG. NO.

RELEASE TO MANUFACTURING EC NO.:KOR2002-0082 DRWN:H.C.RHO CHK:H.C.RHO APPR:C.W.LEE	MAJOR CRITICAL	QUALITY SYMBOLS
DESCRIPTION		
REV		

GENERAL TOLERANCES: (UNLESS SPECIFIED)	
4 PLACES	±0.1
3 PLACES	±0.1
2 PLACES	±0.2
1 PLACE	±0.3
ANGULAR: ± 1°	
DRAFT WHERE APPLICABLE MUST REMAIN WITHIN DIMENSIONS	

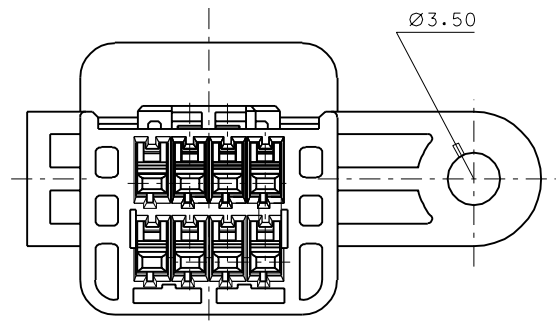
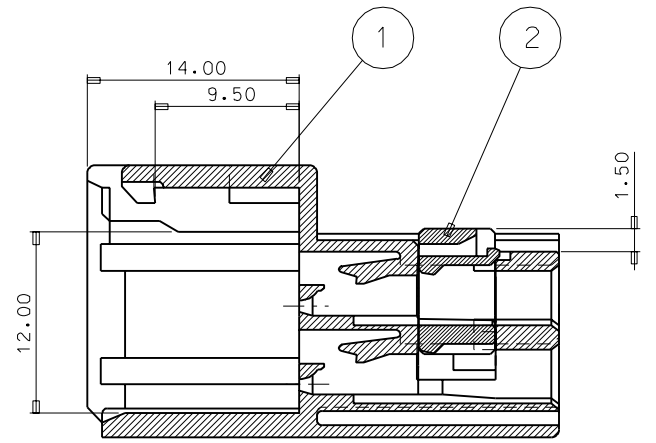
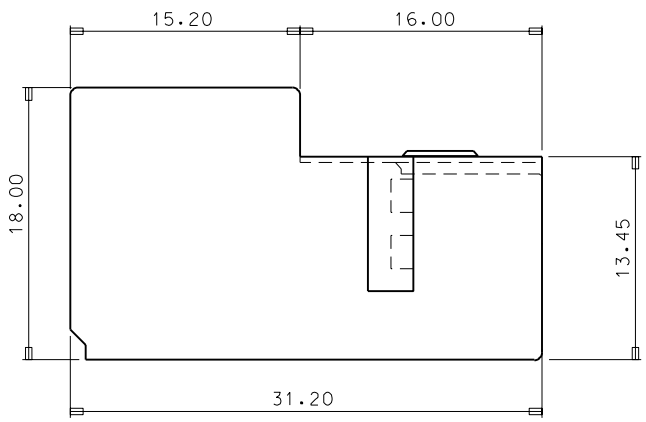
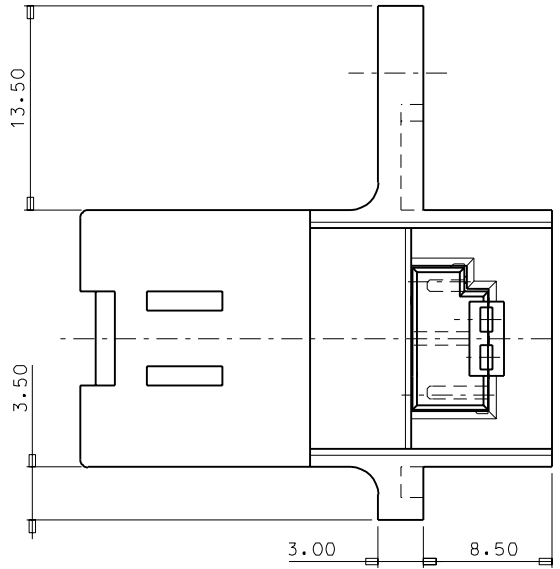
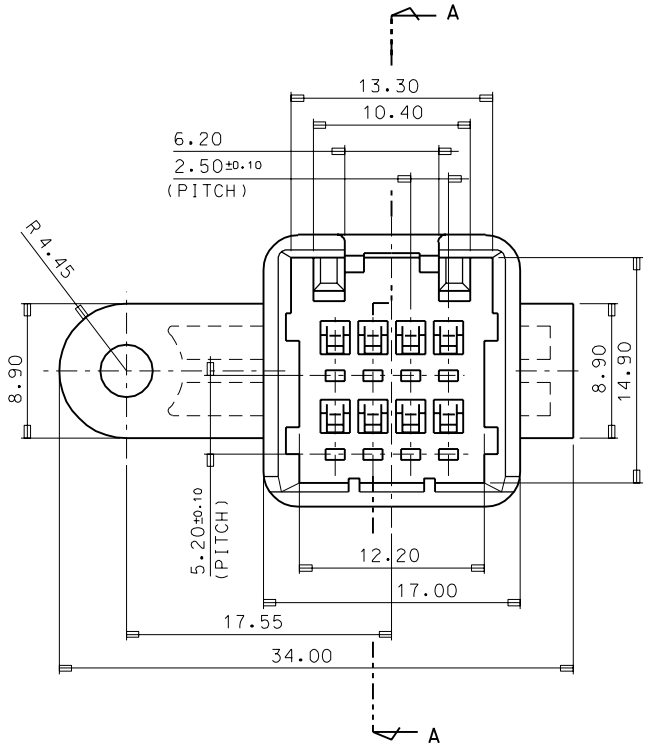
SCALE 3:1	DESIGN UNITS <input checked="" type="checkbox"/> mm <input type="checkbox"/> INCH
DRAWN BY & DATE H.C.RHO '01.08.14	
CHECKED BY & DATE B.K.CHOI '01.08.14	
APPROVED BY & DATE C.W.LEE '01.08.14	
CAD FILENAME 4MHSA8P	

DIMENSIONS: <input type="checkbox"/> mm <input type="checkbox"/> INCH <input checked="" type="checkbox"/> mm ONLY		SHT	REV
TITLE: .040 W/W MALE HOUSING ASS'Y 8P (SCREW TYPE)		REVISE ON CAD ONLY	
MOLEX INCORPORATED KOREA			
MATERIAL NO. SEE TABLE	DRAWING NO. SD-68507-004	SHEET NO. 10F1	SIZE B
THIS DRAWING CONTAINS INFORMATION THAT IS PROPRIETARY TO MOLEX INCORPORATED AND SHOULD NOT BE USED WITHOUT WRITTEN PERMISSION.			

DWG. NO. SD-68507-003
 SIMILAR ITEM
 PROJECT NO.
 DO NOT SCALE DRAWING
 DIMENSION IN METRIC

NOTE
 1. MATERIAL & FINISH: SEE TABLE
 2. APPLICATION: .040 FEMALE HSG ASS'Y 8P
 (ENG. NO.:68508-0811)

NO.	PART NO.	PART NAME	MATERIAL	REMARK
1	68507-0891	.040 F/HSG	POLYESTER	BLACK
2	68509-0883	.040 F/TPA	POLYESTER	YELLOW



1	685070811	68507-0811
NO.	MATERIAL NO.	ENG. NO.

RELEASE TO MANUFACTURING EC NO.:KOR2002-0082 DRWN:H.C.RHO CHK:H.C.RHO APPR:C.W.LEE	MAJOR CRITICAL	QUALITY SYMBOLS
DESCRIPTION	DESCRIPTION	DESCRIPTION
REV	DESCRIPTION	DESCRIPTION

GENERAL TOLERANCES: (UNLESS SPECIFIED)	
mm	INCH
4 PLACES	± .
3 PLACES	± .
2 PLACES	± 0.2
1 PLACE	± 0.3
ANGULAR: ± 1°	
DRAFT WHERE APPLICABLE MUST REMAIN WITHIN DIMENSIONS	

SCALE 3:1	DESIGN UNITS <input checked="" type="checkbox"/> mm <input type="checkbox"/> INCH
DRAWN BY & DATE H.C.RHO '01.08.14	TITLE: .040 W/W MALE HOUSING ASS'Y 8P (SCREW TYPE)
CHECKED BY & DATE B.K.CHOI '01.08.14	APPROVED BY & DATE C.W.LEE '01.08.14
CAD FILENAME 4MHSA8P	MATERIAL NO. SEE TABLE

DIMENSIONS: <input type="checkbox"/> mm <input type="checkbox"/> INCH <input checked="" type="checkbox"/> mm ONLY		SHT	REV
THIRD ANGLE PROJECTION		REVISE ON CAD ONLY	
MOLEX INCORPORATED KOREA		SHEET NO. 10F1	
THIS DRAWING CONTAINS INFORMATION THAT IS PROPRIETARY TO MOLEX INCORPORATED AND SHOULD NOT BE USED WITHOUT WRITTEN PERMISSION.		SIZE B	

DO NOT SCALE DRAWING DIMENSION IN METRIC

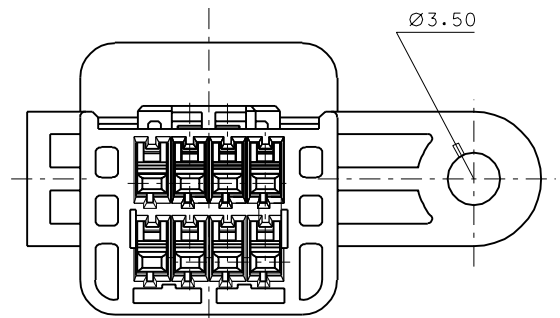
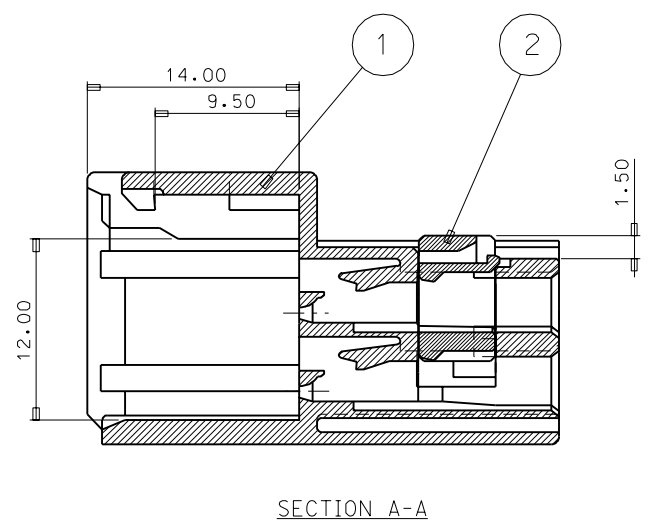
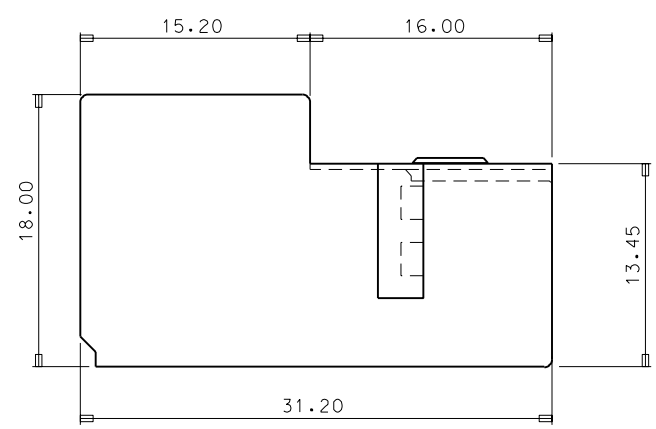
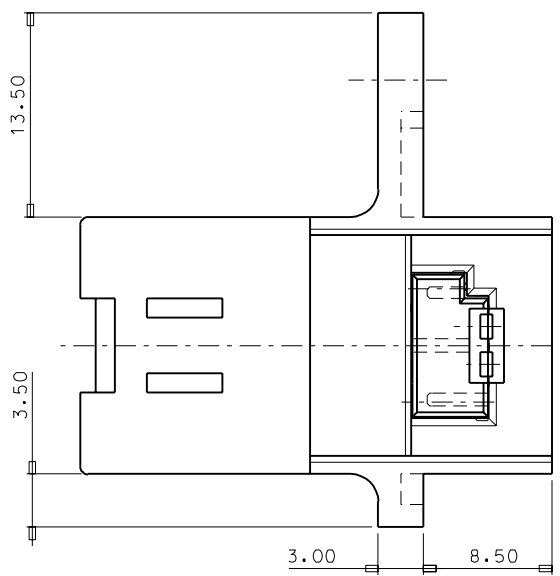
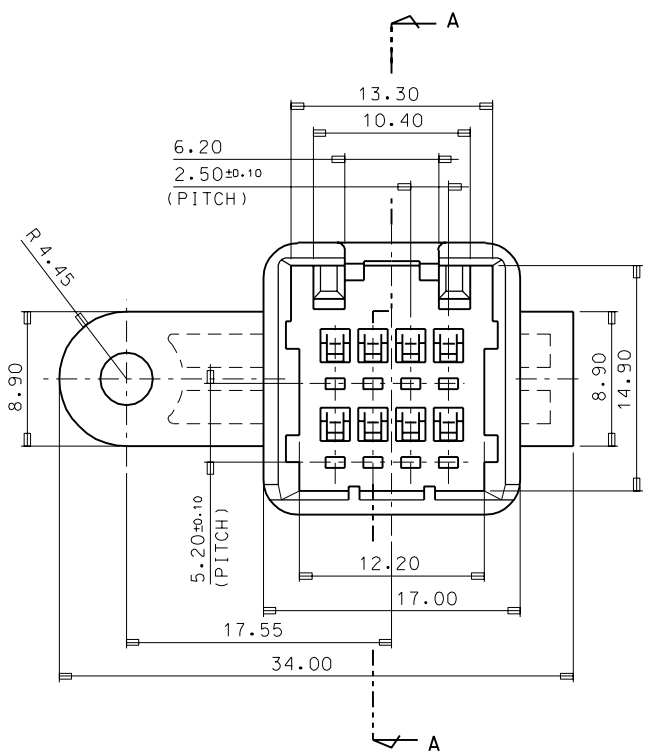
PROJECT NO.

SIMILAR ITEM

DWG. NO. SD-68507-003

NOTE
 1. MATERIAL & FINISH: SEE TABLE
 2. APPLICATION: .040 FEMALE HSG ASS'Y 8P
 (ENG. NO.:68508-0811)

NO.	PART NO.	PART NAME	MATERIAL	REMARK
1	68507-0891	.040 F/HSG	POLYESTER	BLACK
2	68509-0883	.040 F/TPA	POLYESTER	YELLOW



1	685070811	68507-0811
NO.	MATERIAL NO.	ENG. NO.

RELEASE TO MANUFACTURING EC NO.:KOR2002-0082 DRWN:H.C.RHO CHK:H.C.RHO APPR:C.W.LEE	MAJOR CRITICAL	QUALITY SYMBOLS
DESCRIPTION	DESCRIPTION	
REV		

GENERAL TOLERANCES: (UNLESS SPECIFIED)	
4 PLACES	±0.1
3 PLACES	±0.1
2 PLACES	±0.2
1 PLACE	±0.3
ANGULAR: ± 1°	
DRAFT WHERE APPLICABLE MUST REMAIN WITHIN DIMENSIONS	

SCALE 3:1	DESIGN UNITS <input checked="" type="checkbox"/> mm <input type="checkbox"/> INCH
DRAWN BY & DATE H.C.RHO '01.08.14	
CHECKED BY & DATE B.K.CHOI '01.08.14	
APPROVED BY & DATE C.W.LEE '01.08.14	
CAD FILENAME 4MHSA8P	

DIMENSIONS: <input type="checkbox"/> mm <input type="checkbox"/> INCH <input checked="" type="checkbox"/> mm ONLY		SHT	REV
THIRD ANGLE PROJECTION			REVISE ON CAD ONLY
TITLE: .040 W/W MALE HOUSING ASS'Y 8P (SCREW TYPE)			
MOLEX INCORPORATED KOREA			
MATERIAL NO. SEE TABLE	DRAWING NO. SD-68507-004	SHEET NO. 10F1	
THIS DRAWING CONTAINS INFORMATION THAT IS PROPRIETARY TO MOLEX INCORPORATED AND SHOULD NOT BE USED WITHOUT WRITTEN PERMISSION.			SIZE B