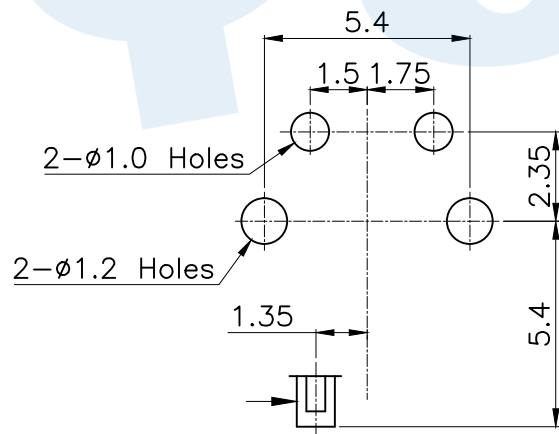
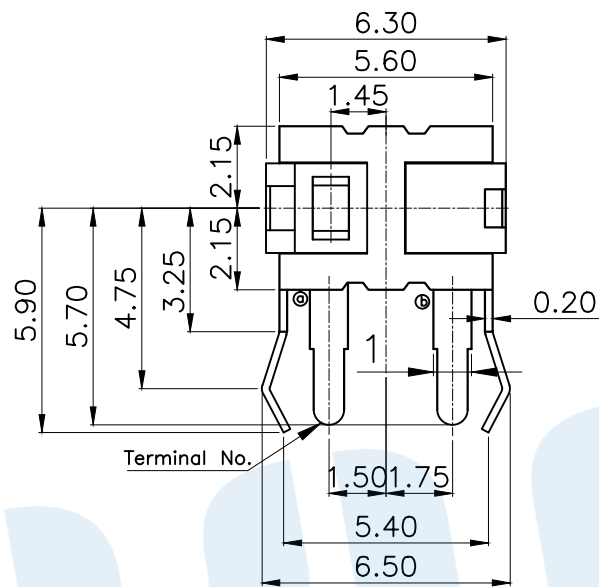
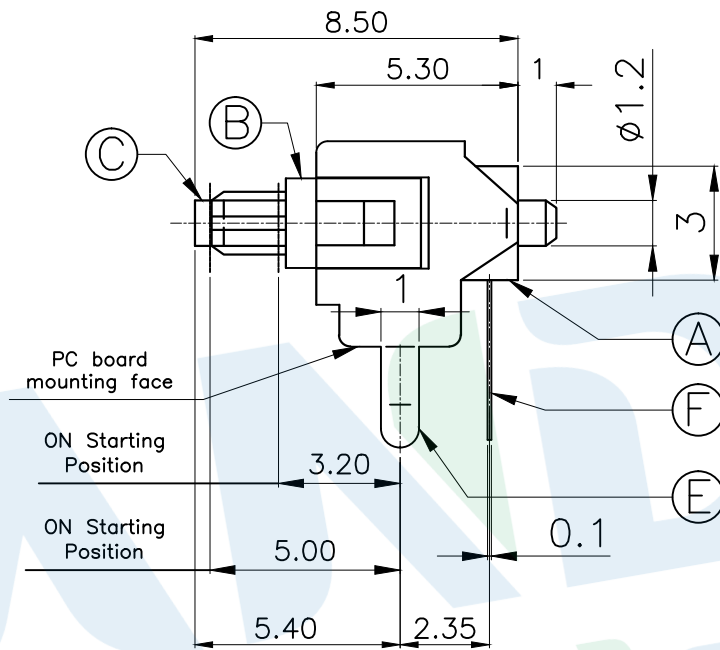


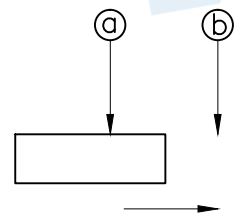
RoHS



PCB Layout(Pattern side)



PC board mounting face
ON Starting Position
ON Starting Position



Circuit Diagram

Technical Parameters

- 1.Rated current: DC 30V 0.1A
- 2.Operating force:40±10gf
- 3.Mechanical life: 50,000 times

Ⓕ	Trestle		1	SPCC	Tin-Plating
Ⓖ	Terminal		2	Brass	Silvering
Ⓓ	Contact Spring		1	Phosphor copper	Silvering
Ⓒ	Button		1	POM	Black
Ⓑ	Cover		1	POM	Black
Ⓐ	Base		1	PA66	Black
NO.	Name	Number	Qty	Materil	Remarks

YUANDI® Yuandi Electronics Co.,Ltd

design	date	name	DETECTION SWITCH
Review	date	model	TQ-2520A
Approved	date		