

6

5

4

3

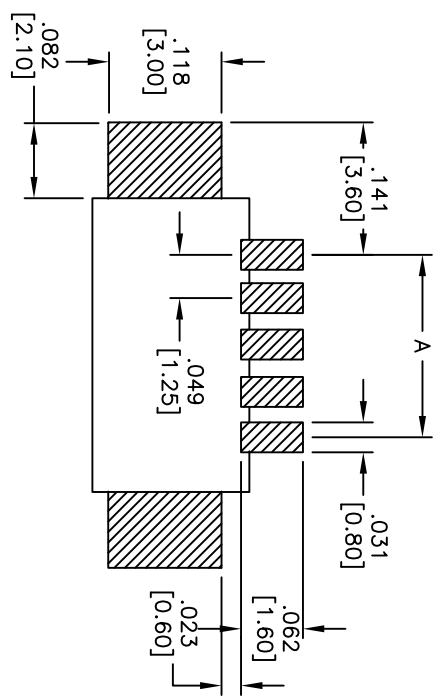
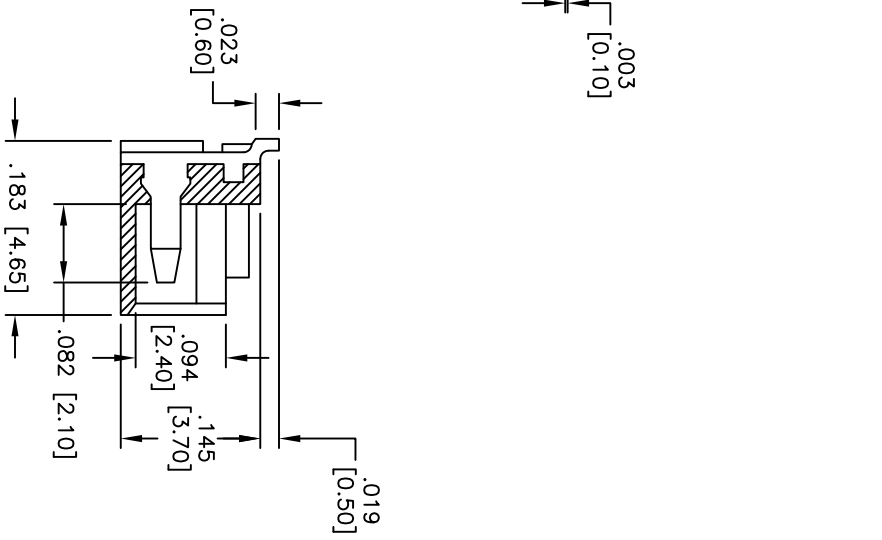
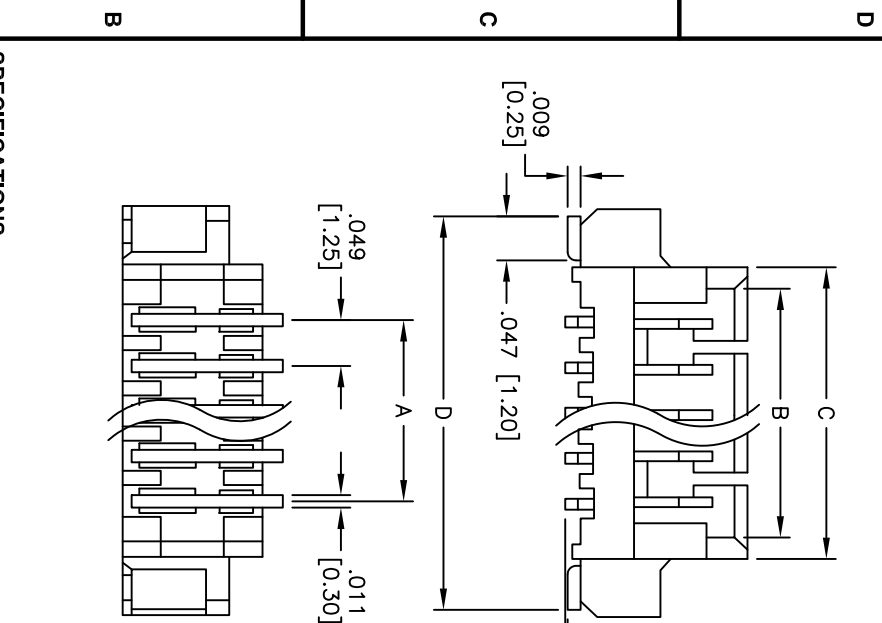
2

1

APPROVED: \_\_\_\_\_

DATE: \_\_\_\_\_ TITLE: \_\_\_\_\_

Rev	AWO #	Description	Date	Appr
-		RELEASED	01/17/07	
A		REVISED COLOR	5/11/09	



RECOMMENDED PCB LAYOUT

**SPECIFICATIONS:**

**Material:**  
Insulator: Hi-temp thermoplastic, rated UL 94V-0

Insulator color: Ivory

Contacts: Brass

**Plating:**

Tin over Nickel underplate overall

**Electrical:**

Operating voltage: 250 VAC max

Current rating: 1 Amps max

Contact resistance: 20 mohms max

Insulation resistance: 100 Mohms min

Dielectric withstanding voltage: 250 VAC for 1 minute

**Temperature Rating:**

Operating temperature: -40°C to +85°C

Environmental:

Lead free, RoHS compliant.

- A=.049 [1.25] X NO. OF SPACES
- B=.049 [1.25] X NO. OF SPACES X+.070 [1.80]
- C=.049 [1.25] X NO. OF SPACES X+.118 [3.00]
- D=.049 [1.25] X NO. OF SPACES X+.259 [6.60]

UNLESS OTHERWISE SPECIFIED  
ALL DIMENSIONS ARE INCHES [MM]

TOLERANCES EXCEPT AS NOTED		HOLE SIZES	
INCHES	±	ØXX	±
.X	±.10	ØXX	±.10
.XX	±.020	ØXXX	±.015
.XXX	±.015	ØXXX	±.010

**ADAM TECH**  
909 Rahway Avenue, Union, NJ 07083  
Phone: 908-687-5000 Fax: 908-687-5710

TITLE: MX 1.25mm WAFER 180° SMT

APPROVALS	DATE	SIZE	PART NO.	REV.
DRAWN	BW	01/17/07	125SH-B-XX-TS-SMT	A
CHECKED				
APPROVED				

6

5

4

3

2

1

