

**PLEASE CHECK WWW.MOLEX.COM FOR LATEST PART INFORMATION**

**Part Number:** **0740572601**  
**Status:** **Active**  
**Overview:** vhdm  
**Description:** 2.00mm (.079") Pitch VHDM® Board-to-Board Backplane Header, Vertical, 6-Row, Open Signal Module, 150 Circuits, Advance Mate Shield, Pin Length 4.75mm (.187")

**Documents:**

[3D Model](#)  
[Drawing \(PDF\)](#)

[RoHS Certificate of Compliance \(PDF\)](#)

**General**

Product Family	Backplane Connectors
Series	<u>74057</u>
Application	Backplane
Application Tooling Documents	<a href="http://www.molex.com/pdm_docs/ats/TM-622010999.pdf">http://www.molex.com/pdm_docs/ats/TM-622010999.pdf</a> >Tooling Manual</a>
Comments	Advance Mate Shield
Component Type	PCB Header
Overview	<u>vhdm</u>
Product Name	VHDM®
Style	N/A

**Physical**

Circuits (Loaded)	150
Circuits (maximum)	150
Color - Resin	Black
Durability (mating cycles max)	200
First Mate / Last Break	No
Guide to Mating Part	No
Keying to Mating Part	None
Material - Metal	Beryllium Copper, High Performance Alloy (HPA)
Material - Plating Mating	Gold
Material - Plating Termination	Tin-Lead
Material - Resin	High Temperature Thermoplastic
Number of Columns	N/A
Number of Pairs	Open Pin Field
Number of Rows	6
Orientation	Vertical
PCB Retention	None
PCB Thickness Recommended (in)	0.070 In
PCB Thickness Recommended (mm)	1.80 mm
Packaging Type	Tube
Pitch - Mating Interface (in)	0.079 In
Pitch - Mating Interface (mm)	2.00 mm
Plating min: Mating (µin)	30
Plating min: Mating (µm)	0.75
Plating min: Termination (µin)	30
Plating min: Termination (µm)	0.75
Polarized to PCB	Yes
Stackable	Yes
Surface Mount Compatible (SMC)	Yes
Temperature Range - Operating	-55°C to +105°C
Termination Interface: Style	Through Hole - Compliant Pin

**Electrical**

Current - Maximum per Contact 1A

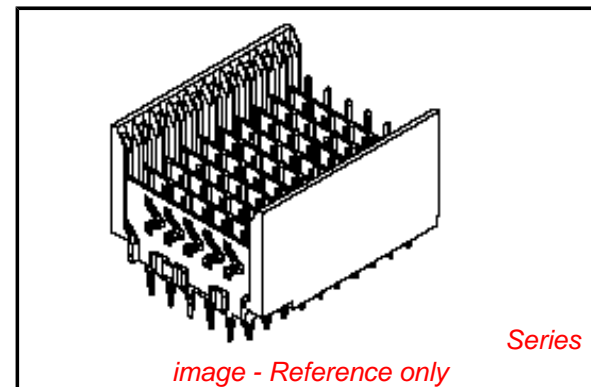


image - Reference only

**EU RoHS**

**RoHS Compliant by Exemption**  
**REACH SVHC**  
**Contains SVHC: No**  
**Halogen-Free**  
**Status**  
**Not Reviewed**

**China RoHS**



Pb

**Need more information on product environmental compliance?**

Email [productcompliance@molex.com](mailto:productcompliance@molex.com)  
 For a multiple part number RoHS Certificate of Compliance, [click here](#)

Please visit the [Contact Us](#) section for any non-product compliance questions.

**Search Parts in this Series**

74057Series

**Mates With**

74030 VHDM® Board-to-Board Daughtercard Receptacle

**Application Tooling | FAQ**

*Tooling specifications and manuals are found by selecting the products below. Crimp Height Specifications are then contained in the Application Tooling Specification document.*

**Global**

Description	Product #
Flat Rock Tooling for Pneumatic Press	<u>0622013700</u>
VHDM® Insertion Module for Advanced Mate Signal Header, 6 Row by 25 Wide, 50.00mm (1.97")	<u>0622020204</u>
VHDM® Insertion Module for Standard	<u>0622020208</u>

Data Rate	3.125 Gbps
Real Signals (per 25mm)	72
Shield Type	Ground Plane Shield
Shielded	Yes
Voltage - Maximum	120V AC (RMS)/DC

Shield Signal Header, 6 Row by 25 Wide, 50.00mm (1.97")
--

### **Material Info**

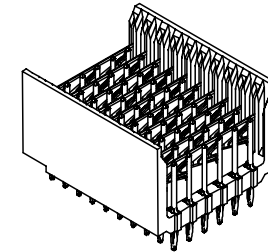
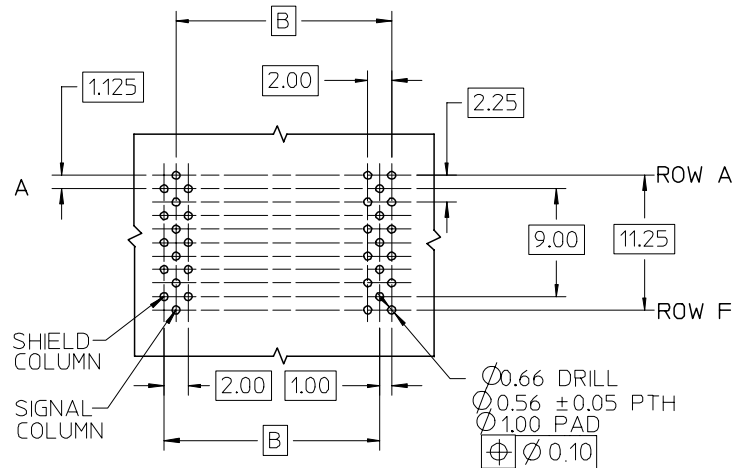
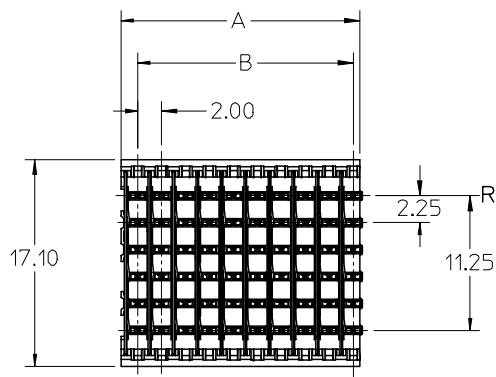
### **Reference - Drawing Numbers**

Packaging Specification	PK-74057-003
Sales Drawing	SD-74057-003

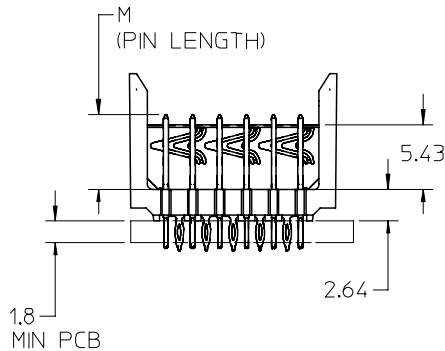
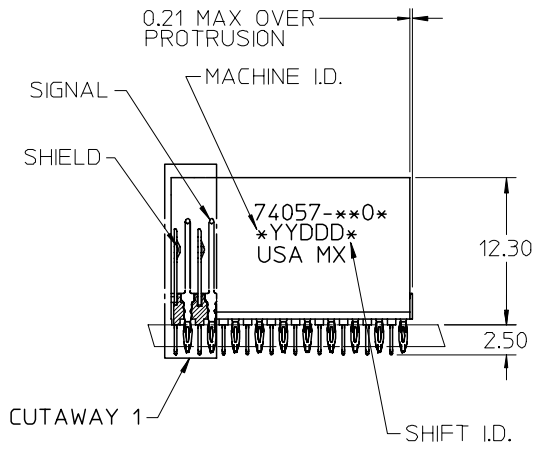
VHDM and Very High Density Metric are trademarks of Amphenol Corporation

This document was generated on 05/19/2010

**PLEASE CHECK [WWW.MOLEX.COM](http://WWW.MOLEX.COM) FOR LATEST PART INFORMATION**

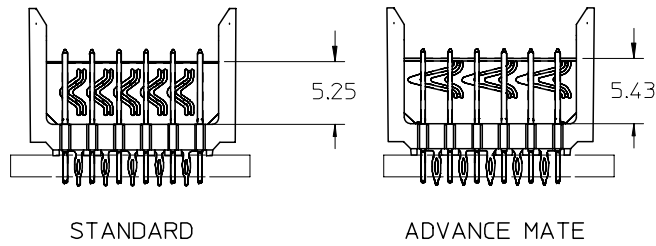


BACKPLANE HOLE PATTERN  
RECOMMENDED DIMENSION



NOTES:

1. MATERIAL: HOUSING -LIQUID CRYSTAL POLYMER (LCP). GLASS-FILLED. UL 94 V-0. COLOR BLACK. SIGNAL & SHIELD -COPPER ALLOY.
2. FINISHES:  
CONTACT AREA: SELECTIVE GOLD (Au)  
PCB TAILS: SELECTIVE TIN/LEAD (Sn/Pb) OR SELECTIVE MATTE TIN (Sn)  
NICKEL (Ni) OVERALL.
3. THIS PART CONFORMS TO MOLEX PRODUCT SPECIFICATION PS-74031-999.
4. FOR MIXED CONTACT MATING LENGTHS CONSULT MOLEX FOR AVAILABILITY.
5. FOR SPECIFIC PART NUMBER AND MATING INFORMATION REFER TO SHEET 2.
6. PACKAGE PER: PK-74057-003.
7. EITHER MARK PART NUMBER AND DATE CODE APPROXIMATELY WHERE SHOWN OR PLACE LABEL ON THE TUBE.

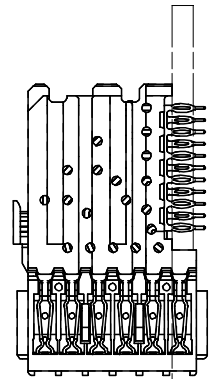
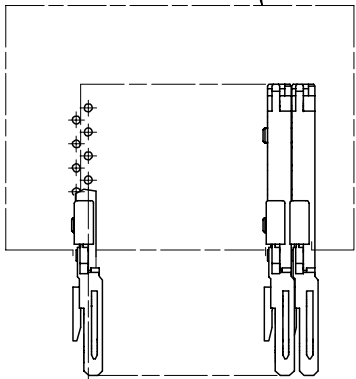


ADD LEADFREE PINS EC NO: UCP2006-0079 DRW:KML/VEY 2005/07/20 CHKD: 2005/07/21 APPR: SREED 2005/07/22	QUALITY SYMBOLS ▽ -0 ▽ -0	GENERAL TOLERANCES (UNLESS SPECIFIED)		SCALE 2.5:1	DESIGN UNITS METRIC	THIRD ANGLE PROJECTION	REVISE ON CAD ONLY	
				DIMENSION STYLE MM ONLY		TITLE		
				DRAWN BY DATE		VHDM SALES ASSEMBLY		
				CHECKED BY DATE		6 ROW ADVANCE MATE		
		APPROVED BY DATE		MATERIAL NO.		DOCUMENT NO.		
		DRAFT WHERE APPLICABLE		2001/08/22		SD-74057-003		
		MUST REMAIN WITHIN DIMENSIONS		2001/08/22		SEE SHEET 2		
				THIS DRAWING CONTAINS INFORMATION THAT IS PROPRIETARY TO MOLEX INCORPORATED AND SHOULD NOT BE USED WITHOUT WRITTEN PERMISSION		SHEET NO. 1 OF 2		

MATERIAL NUMBER ASSIGNMENT

74057-\*\*\* \*\*  
 SEE TABLE  
 NUMBER OF COLUMNS/PLATING  
 11 = 10 COLUMN TIN/LEAD  
 26 = 25 COLUMN TIN/LEAD  
 91 = 10 COLUMN MATTE TIN  
 86 = 25 COLUMN MATTE TIN

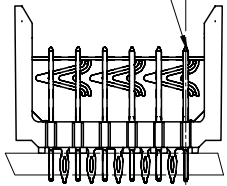
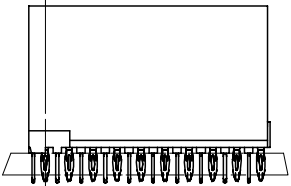
DAUGHTERCARD  
 CONNECTOR SIDE



0.41 OFFSET  
 SIGNAL TO  
 SIGNAL

0.66  
 TOP DAUGHTERCARD  
 PCB TO CENTER  
 OF ROW A

ROW A



PART NUMBER	COLUMN	NUMBER OF SIGNAL PINS	NUMBER OF SHIELDS	A	B	M	Au (um) THICKNESS	Sn (um) THICKNESS
74057-*101		60	10	20.00	18.00	4.75	0.76	0.76-152
74057-*106	10	60	10	20.00	18.00		1.27	
74057-*601		150	25	50.00	48.00	6.25	0.76	
74057-*606	25	150	25	50.00	48.00		1.27	
74057-*102		60	10	20.00	18.00	4.25	0.76	
74057-*107	10	60	10	20.00	18.00		1.27	
74057-*602		150	25	50.00	48.00	5.15	0.76	
74057-*607	25	150	25	50.00	48.00		1.27	
74057-*103		60	10	20.00	18.00	4.25	0.76	
74055-*108	10	60	10	20.00	18.00		1.27	
74057-*603		150	25	50.00	48.00	5.15	0.76	
74057-*608	25	150	25	50.00	48.00		1.27	
74057-*104		60	10	20.00	18.00	4.25	0.76	
74057-*109	10	60	10	20.00	18.00		1.27	
74057-*604		150	25	50.00	48.00	5.15	0.76	
74057-*609	25	150	25	50.00	48.00		1.27	

SEE SHEET 1 EC NO: UCP2006-0079 DRW: KMULVEY 2005/07/20 CHKD: 2005/07/21 APPR: SREED 2005/07/22	QUALITY SYMBOLS	GENERAL TOLERANCES (UNLESS SPECIFIED)	SCALE 2.5:1	DESIGN UNITS METRIC	THIRD ANGLE PROJECTION	REVISE ON CAD ONLY
	▽ -0 ▽ -0	mm INCH 4 PLACES ± --- ± --- 3 PLACES ± --- ± --- 2 PLACES ± --- ± --- 1 PLACE ± --- ± --- ANGULAR ±1/2°	DIMENSION STYLE MM ONLY	TITLE	VHDM SALES ASSEMBLY 6 ROW ADVANCE MATE OPEN END BACKPLANE	
	DRAFT WHERE APPLICABLE MUST REMAIN WITHIN DIMENSIONS	APPROVED BY DATE	CHECKED BY DATE	MOLEX INCORPORATED		
		CBIXLER 2001/08/22	JLAURX 2001/08/22	MATERIAL NO. SEE TABLE	DOCUMENT NO. SD-74057-003	SHEET NO. 2 OF 2

THIS DRAWING CONTAINS INFORMATION THAT IS PROPRIETARY TO MOLEX INCORPORATED AND SHOULD NOT BE USED WITHOUT WRITTEN PERMISSION