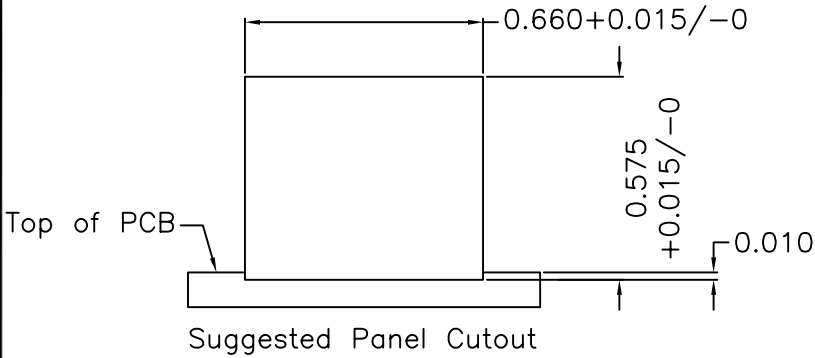
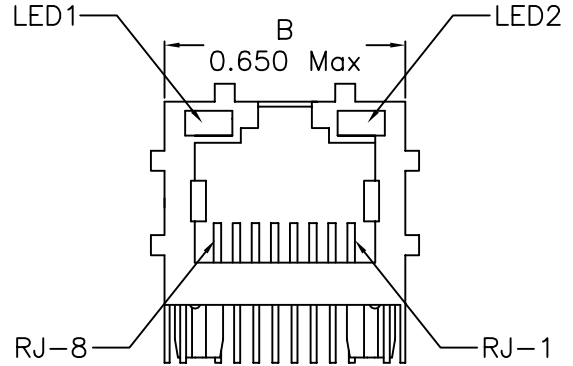
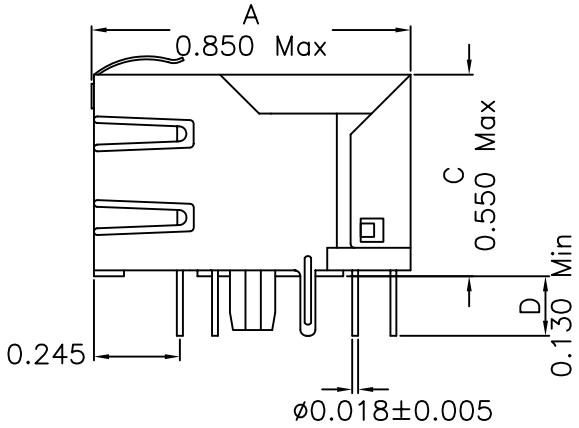
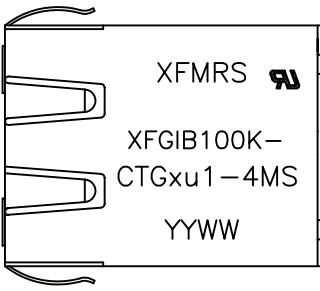
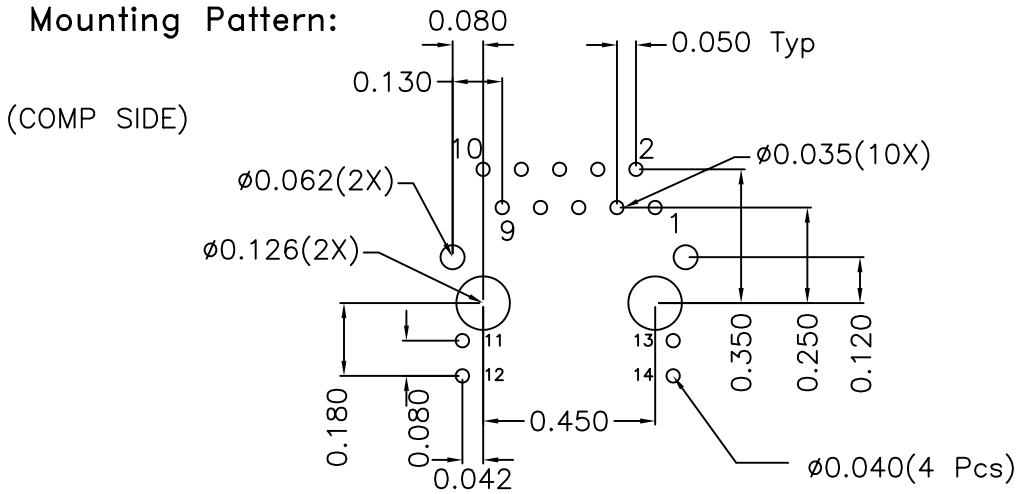


**Mechanical Dimensions:**



**Mounting Pattern:**



DOC REV: A/1

<b>XFMRS Inc.</b> www.XFMRS.com	Title: 0.85" Tab-UP Single part		
	UNLESS OTHERWISE SPECIFIED TOLERANCES: .xxx ±0.010 Dimensions in Inch	P/N: XFGIG8AB-CTGxu1-4MS	REV. A
	DWN.	Xianyi	Oct-28-09
	CHK.	YK Liao	Oct-28-09
SHEET 2 OF 2	APP.	BW	Oct-28-09

**PROPRIETARY:**  
 Document is the property of XFMRS Group & is not allowed to be duplicated without authorization.